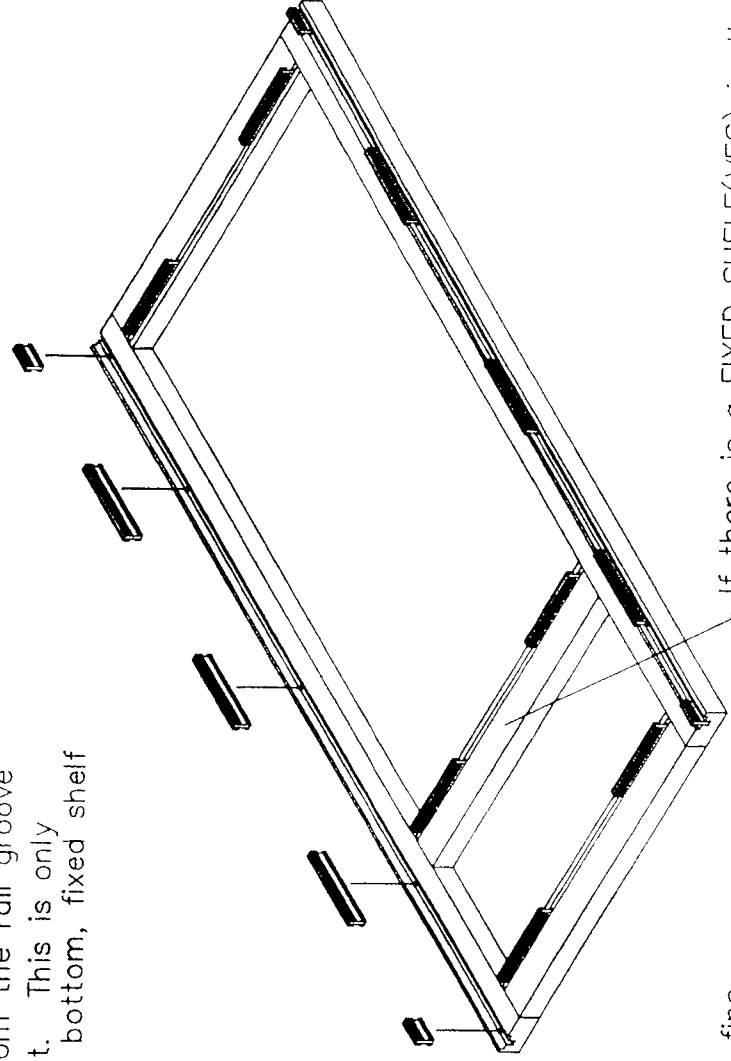


HOW TO INSERT SPLINES IN CABINET FRONT

There are two lengths of splines; 7/8" long and 3" long. There are four 7/8" long splines which go in the four corners of the cabinet FRONT FRAME. The 3" splines can be positioned at random around the cabinet FRONT FRAME keeping it away from the rail groove where the stile and the rail meet. This is only necessary when you have a top, bottom, fixed shelf or a 3" strip attached to it.



NOTE:

The side with two fins should go into the FRONT FRAME. The three fins should go into the cabinet box.

If there is a FIXED SHELF(VES) in the cabinet, make sure you insert splines in the middle rail(s).

SPLINE

