



## *Moulding Program*

Conestoga offers several different moulding programs for your convenience.

Program Selection	Species	Grade	Minimum Order Quantity	Maximum Order Quantity	Lead Time, Days
8 ft. Stock Profiles	Stock	Choice	1 piece	25 pieces*	4
	Custom	Choice	1 piece	None	7-10
8 ft. Custom Profiles	Any	Choice	100 ft.	None	12-15
Radius	Any	Choice	1 piece	None	10 standard 12 custom
Random Length Profile	Any	Prime	100 ft.	None	12-15
Random Length Cabinet Framing/S4S	Any	Prime	100 ft.	None	12-15

\*Maximum stock order per specific profile and specie is 25 pieces. Orders exceeding 25 pieces require 7-10 days lead time.

## *Solid Wood Moulding Specifications*

- Natural specie characteristics that exhibit the character and beauty of wood will be evident on mouldings. These characteristics will include, but not be limited to, color variations, heartwood, sapwood, knots, splits, worm holes and checks. Conestoga specifications do not allow these characteristics to affect structural integrity of the mouldings.
- Natural characteristics that become evident through machining, environmental or atmospheric conditions such as minor bows, twists and crooks may be evident but will not affect product quality or impede workability. Machining marks may be evident, but will not affect structural integrity. 3-1/2" or larger profile mouldings may have at least one glue joint running the length of the piece.
- Eight foot stock and custom pieces will be shipped 94" to 97" in length.
- Solid wood mouldings are available in two grades, "prime" and "choice", as defined below. Mouldings are classified differently than our door/drawer front wood grading of Premium, Standard or Value grade. Moulding grades refer to the usability of the lumber.
  - ❖ **Choice** – Each piece will exhibit similar material quality characteristics on the face of the moulding that we offer on our standard grade doors. Ends will be trimmed. Depending on profile depth and specie ordered, sap or heartwood may appear on the moulding face. This is our highest grade for mouldings.
  - ❖ **Prime** – These pieces may contain a limited amount of defects and color variation admitted in the established rules of the National Hardwood Lumber Association for this grade. 8 ft. lengths of material will be approximately 80% defect free. Pieces under 8 ft. will be approximately 90% defect free. Defect locations will vary.



## 8 Foot<sup>1</sup> Choice Grade Moulding Pricing and Availability All pricing per 8 foot piece.

Design and Profile	Size	Alder	Bamboo	Birch, Red	Birch, White	Cherry	Hickory	Lynxus	Maple, Hard	Maple, Soft	Oak, Red	Oak, White	Paint Grade	Pine, Clear	Walnut
<b>R</b> Crown 6	2-9/16"	\$27.05	\$30.75	\$42.90	\$28.10	\$37.90	\$19.05	\$30.00	\$30.00	\$21.80	\$18.95	\$16.70	\$18.95	\$20.65	\$25.45
<b>R</b> Crown 24	4-5/16"	39.70	45.25	66.10	40.30	51.75	30.40	40.90	44.75	31.65	30.15	24.15	24.20	29.10	39.70
<b>R</b> Crown 33	1-9/16"	18.80	19.55	29.00	20.10	24.50	13.80	19.25	18.20	15.65	14.15	13.80	14.65	14.85	20.65
Crown 342	4-3/8"	48.15			55.75	76.50	40.45	58.10	64.50	44.25	39.90	42.45	40.70	46.20	60.35
Crown 343	4-3/8"	48.15			55.75	76.50	40.45	58.10	64.50	44.25	39.90	42.45	40.70	46.20	60.35
Crown 344	4-3/8"	48.15			55.75	76.50	40.45	58.10	64.50	44.25	39.90	42.45	40.70	46.20	60.35
<b>R</b> Crown 619	3-3/8"	34.00		53.70	34.50	44.25	26.00	35.00	38.30	27.05	25.85	20.60	20.70	24.85	33.90
<b>R</b> Crown w/heel 801	3-9/16"	54.20		88.75	56.75	76.10	43.80	60.15	65.50	48.05	41.65	42.45	37.40	50.95	63.10
32 mm Crown B10	4-15/16"	44.10		80.90	47.80	67.05	35.20	53.05	56.40	39.00	33.50	33.70	28.60	42.45	53.80
Crown 1621	6-1/2"														
Crown 1622	6-1/2"					153.50			131.25		92.05		67.20		
Crown 1623	6-1/2"														
Reverse Shaker Crown 1529	3-5/8"	36.00	40.35	57.00	36.20	46.45	27.35	36.75	40.25	28.40	27.20	21.70	21.75	26.15	35.60
<b>R</b> Large Cove 1524	3-13/16"	36.70		58.50	37.30	47.90	28.15	37.90	41.40	29.30	27.95	22.35	22.40	26.95	36.70
Crown Mounting Plate 384	1-3/4"	18.95		29.70	20.40	24.60	14.05	19.45	18.45	16.05	14.50	14.05	14.95	15.10	20.95
Frieze Mounting Plate 470	1-3/4"	18.95	19.10	29.70	20.40	24.60	14.05	19.45	18.45	16.05	14.50	14.05	14.95	15.10	20.95

1. Size is nominal. Actual 8-foot length is between 94" and 97".
2. Maximum stock order per specific profile and specie is 25 pieces. Additional pieces take 7-10 days.
3. When ordering dual-side profile products, specify "Face Side A" or "Face Side B". See the individual drawings in this section for size and profile specifications details.
4. 8-foot mouldings can be ordered finished "Face Only" or finished "Face and Back". See section 6 for pricing details.

Key	
	Custom item 7 to 10 day lead time.
	Stock item - 4 day lead time/2 day red expedite (20% upcharge).
	Not available

**R** See Radius Products Section for additional information.



## 8 Foot<sup>1</sup> Choice Grade Moulding Pricing and Availability All pricing per 8 foot piece.

Design and Profile	Size	Alder	Bamboo	Birch, Red	Birch, White	Cherry	Hickory	Lypress	Maple, Hard	Maple, Soft	Oak, Red	Oak, White	Paint Grade	Pine, Clear	Walnut
Beaded Panel B09 (See #2 at bottom)	3-1/4"	\$30.25	\$37.50	\$51.15	\$32.95	\$43.05	\$23.25	\$34.05	\$37.45	\$26.85	\$23.75	\$19.60	\$20.10	\$23.70	\$31.55
Frieze Reversible 345	4-1/2"	43.10	50.70	71.20	43.35	61.90	31.35	48.90	50.55	33.80	31.75	25.95	24.30	30.70	42.05
<b>R</b> Cove 11	3/4"	12.85	13.65	19.75	11.70	15.75	9.30	12.45	13.45	11.45	10.10	10.40	9.45	10.30	13.95
Outside Corner 12	3/4"	12.85	13.65	19.75	11.70	15.75	9.30	12.45	13.45	11.45	10.10	10.40	9.45	10.30	13.95
<b>R</b> Batten 13	1-1/4"	14.60	18.85	22.80	14.95	20.60	11.20	16.35	18.10	12.80	11.10	9.95	10.50	11.00	16.00
<b>R</b> Scribe 14	1-1/4"	14.60	18.85	22.80	14.95	20.60	11.20	16.35	18.10	12.80	11.10	9.95	10.50	11.00	16.00
<b>R</b> Scribe 1809	13/16"	12.80	16.50	21.60	13.95	19.00	10.15	14.95	16.25	11.20	9.75	8.25	9.10	9.95	14.85
<b>R</b> Colonial Base 10	4-1/2"	43.15	50.70	71.20	43.35	61.90	31.35	48.90	50.55	33.80	31.75	25.95	24.30	30.70	42.05
<b>R</b> Beaded Base 381	4-1/2"	43.15	50.70	71.20	43.35	61.90	31.35	48.90	50.55	33.80	31.75	25.95	24.30	30.70	42.05
Quarter Round 1329	3/4"	12.85	13.65	19.75	11.70	15.75	9.30	12.45	13.45	11.45	10.10	10.40	9.45	10.30	13.95
<b>R</b> Light Rail B11	1-1/2"	23.45		37.50	22.50	30.35	17.55	23.50	26.10	19.40	16.65	16.50	15.45	19.30	26.25
<b>R</b> Light Rail 361	1-1/4"	20.40		32.95	19.50	25.90	15.25	20.45	22.65	16.85	14.50	14.35	12.30	16.70	22.80
<b>R</b> Light Rail w/heel 1619 :True 32:	2-5/8"	40.45		65.15	38.80	55.15	33.20	40.25	44.65	36.00	32.55	31.45	31.95	34.80	42.70
<b>R</b> Light Rail 1448	2-1/4"	26.00	30.00	39.10	27.30	37.15	18.25	29.40	29.15	21.00	18.20	15.90	18.10	19.90	24.60
Beaded Trim 1439	2"	27.80			29.15	41.30	22.00	30.80	35.00	24.30	19.20	21.80	19.20	22.60	33.20
<b>R</b> Colonial Casing 21	2-1/4"	25.95	30.00	42.05	27.30	37.15	18.25	29.40	29.15	21.00	18.20	15.86	18.10	19.90	24.60

1. Size is nominal. Actual 8-foot length is between 94" and 97".
2. Maximum stock order per specific profile and specie is 25 pieces. Additional pieces take 7-10 days.
3. When ordering dual-side profile products, specify "Face Side A" or "Face Side B". See the individual drawings in this section for size and profile specifications details.
4. 8-foot mouldings can be ordered finished "Face Only" or finished "Face and Back". See section 6 for pricing details.

Key	
	Custom item 7 to 10 day lead time.
	Stock item - 4 day lead time/2 day red expedite (20% upcharge).
	Not available

**R** See Radius Products Section for additional information.



## 8-Foot<sup>1</sup> Choice Grade Moulding Pricing and Availability All pricing per 8-foot piece.

Design and Profile	Size	Alder	Bamboo	Birch, Red	Birch, White	Cherry	Hickory	L-lyptus	Maple, Hard	Maple, Soft	Oak, Red	Oak, White	Paint Grade	Pine, Clear	Walnut
Rope	3/8"				\$24.50			\$20.85		\$21.70					
	3/4"				24.50			20.85		22.45					
	1-1/2"	\$80.05			80.05			72.50		71.25					
	2"	135.00			135.00			130.00		122.00					
Egg & Dart	1"				106.50			90.40		92.85					
	1-1/2"				120.15			109.95		107.65					
Dentil	7/8"				31.75			28.85		27.05					
	1-1/2"				46.15			41.75		36.95					
Plain	1-1/2"	45.00			45.00			37.50		30.50					
	2"	63.00			63.00			57.00		52.00					
Fluted	1-1/2"	46.00			46.00			37.75		30.75					
	2"	69.00			69.00			63.00		58.00					
Reeded	1-1/2"	46.00			46.00			37.75		30.75					
	2"	69.00			69.00			63.00		58.00					

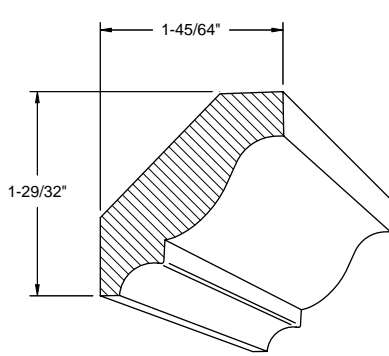
1. Size is nominal. Actual 8-foot length is between 94" and 97".
2. Maximum stock order per specific profile and specie is 25 pieces. Additional pieces take 7-10 days.
3. When ordering dual-side profile products, specify "Face Side A" or "Face Side B". See the individual drawings in this section for size and profile specifications details.
4. 8-foot mouldings can be ordered finished "Face Only" or finished "Face and Back". See section 6 for pricing details.

Key		
	White box	Custom item 7 to 10 day lead time.
	Light gray box	Stock item - 4 day lead time/2 day red expedite (20% upcharge).
	Dark gray box	Not available

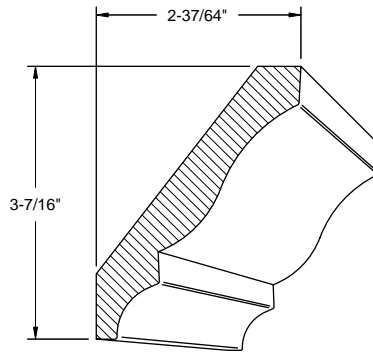
See Radius Products Section for additional information.



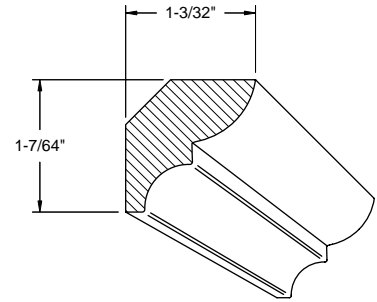
# Crown Mouldings



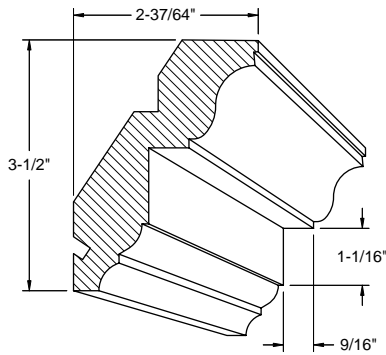
**Crown 6**



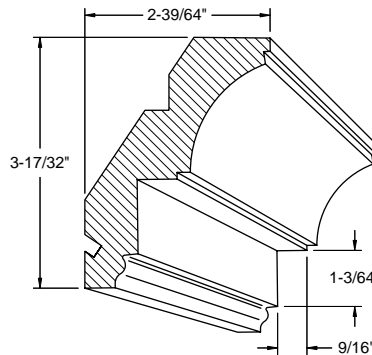
**Crown 24**



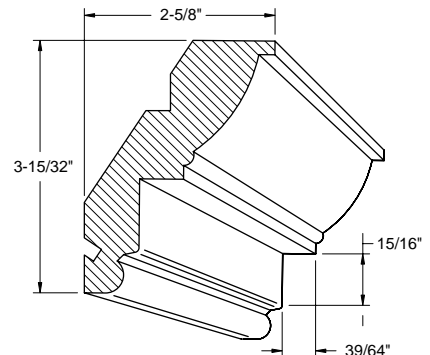
**Crown 33**



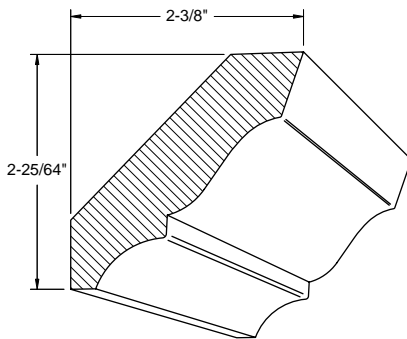
**Crown 342\***



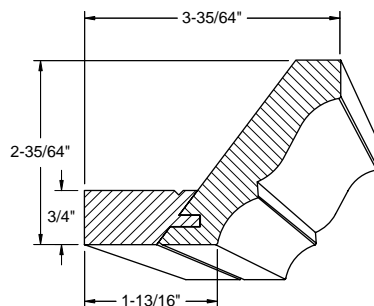
**Crown 343\***



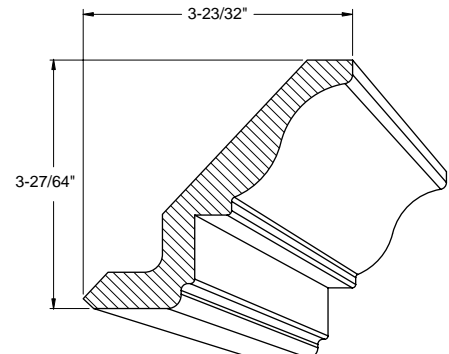
**Crown 344\***



**Crown 619**



**Crown 801  
with Heel**

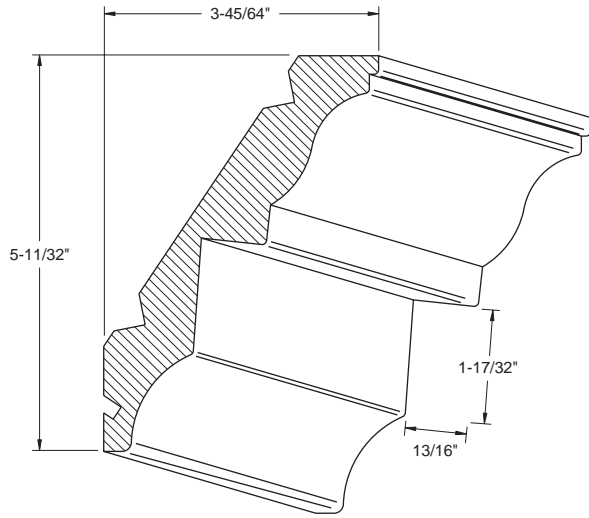


**Crown B10  
True32**

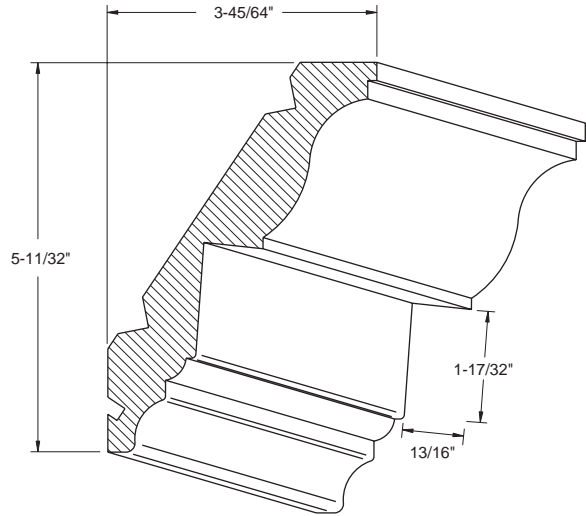
\* Crown mouldings 342, 343, 344 will accommodate mounting plate 384 and 3/4" Rope, 7/8" Dentil and 1" Egg & Dart.  
Note: Drawings not to scale.



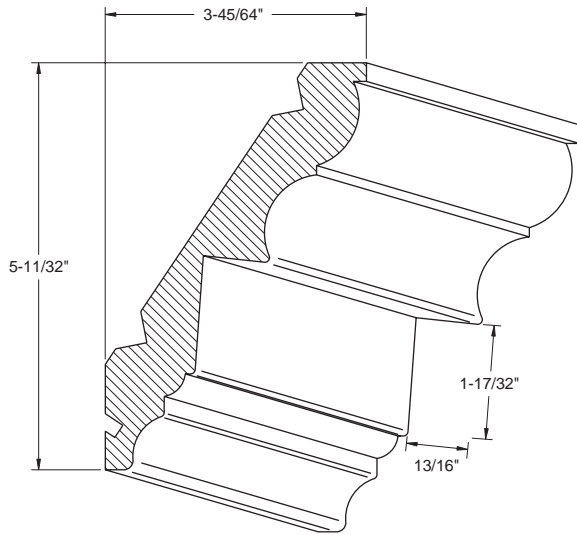
# Crown Mouldings (continued)



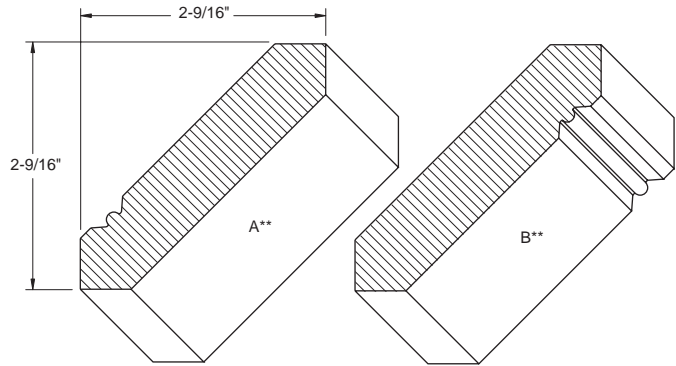
**Crown 1621\***



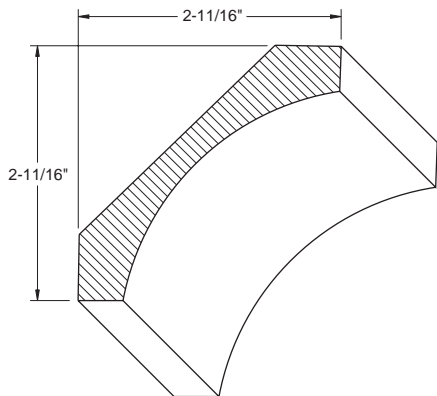
**Crown 1622\***



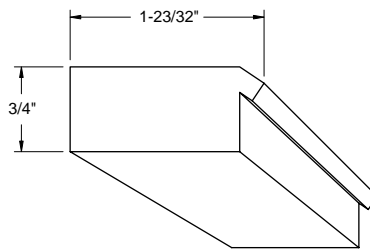
**Crown 1623\***



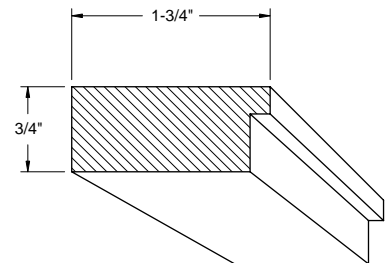
**Reverse Shaker Crown 1529\*\***



**Large Cove 1524**



**Crown Mounting Plate 384**



**Frieze Mounting Plate 470**

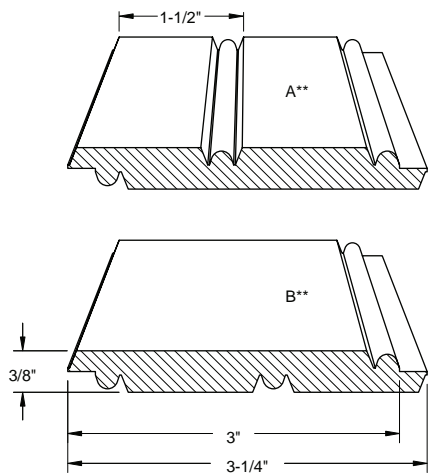
\* Crown mouldings 1621, 1622, 1623 will accommodate Mounting Plate 384 and 1-1/2" Rope, Dentil and Egg & Dart.

\*\* When ordering dual side profile product, specify "Face side A" or "Face side B". When ordering pre-finished product, specify "Finish side A" or "Finish side B."

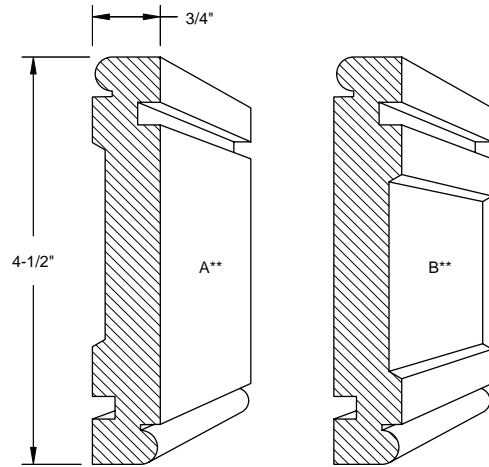
Note: Drawings not to scale.



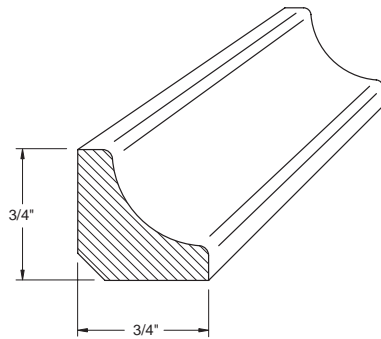
# Trim and Accent Mouldings



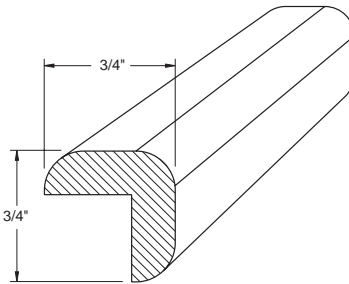
**Beaded Panel B09\*\***



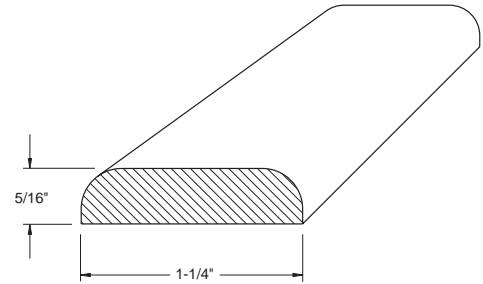
**Reversible Frieze 345\***



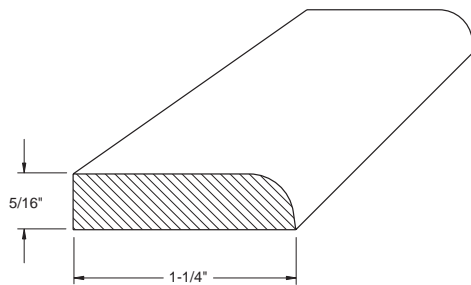
**Cove 11**



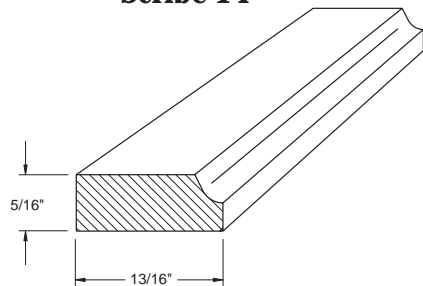
**Outside Corner 12**



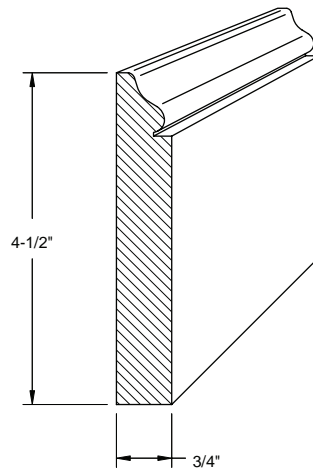
**Batten 13**



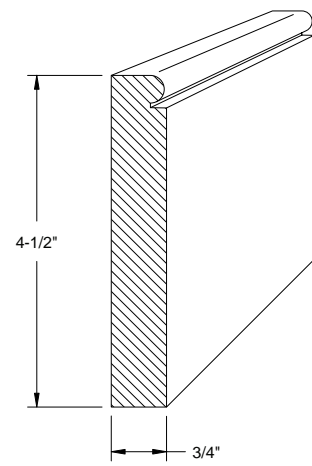
**Scribe 14**



**Scribe 1809**



**Colonial Base 10**



**Beaded Base 381**

\* Reversible Frieze 345 will accommodate Mounting Plate 470.

\*\* When ordering dual side profile product, specify "Face side A" or "Face side B". When ordering pre-finished product, specify "Finish side A" or "Finish side B."

Note: Drawings not to scale.

Spring 2008

Conestoga Wood Specialties Corporation

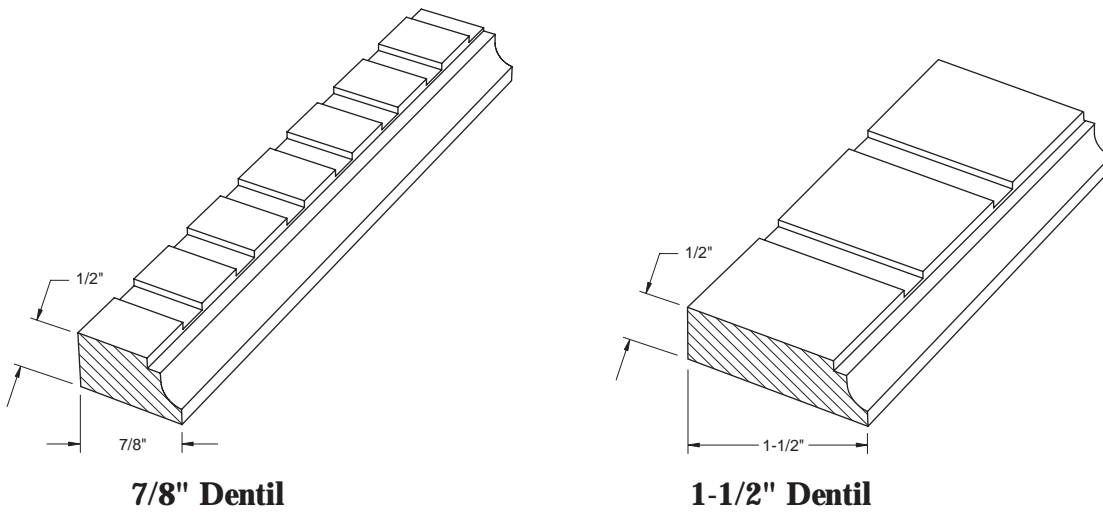
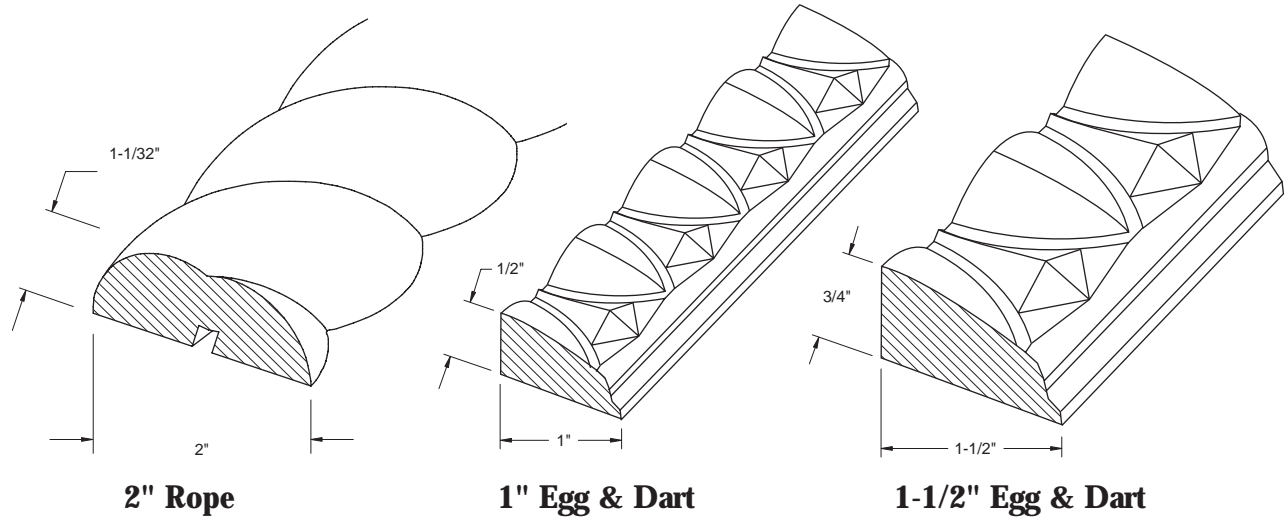
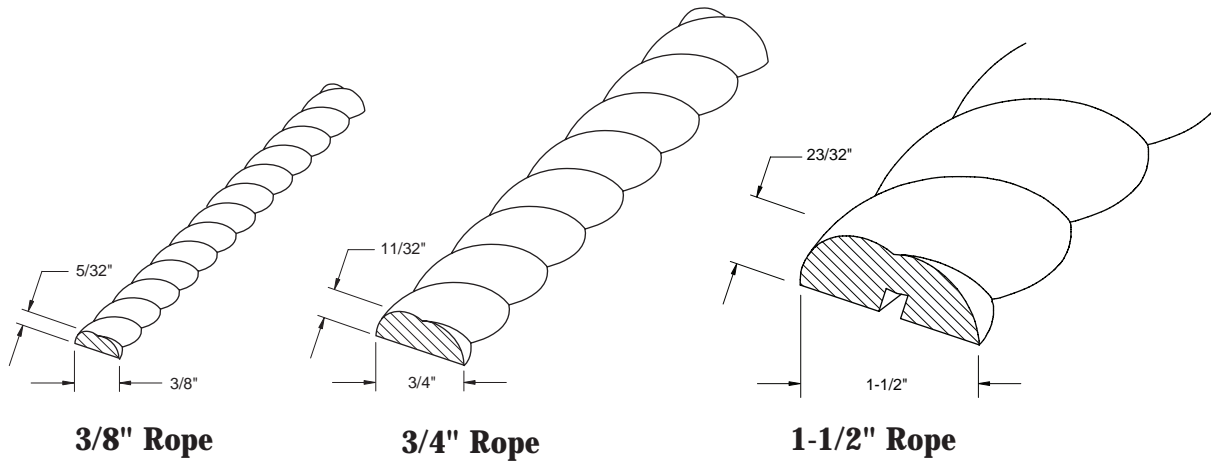
7.7







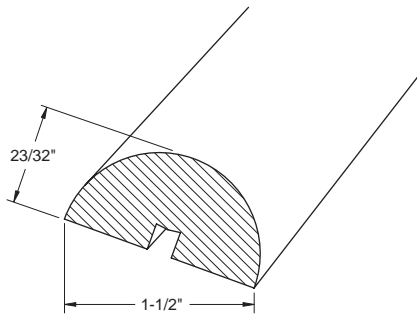
## Trim and Accent Mouldings (continued)



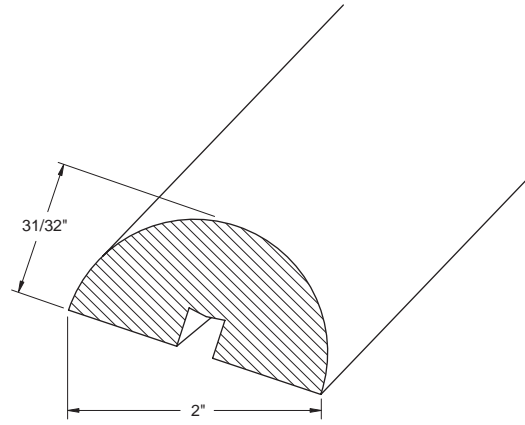
Note: Drawings not to scale.



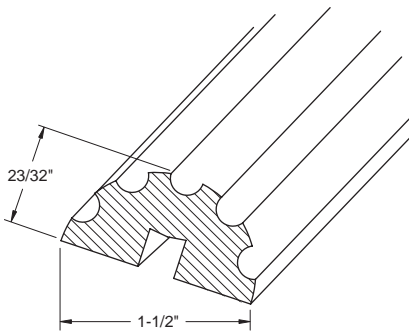
## Trim and Accent Mouldings (continued)



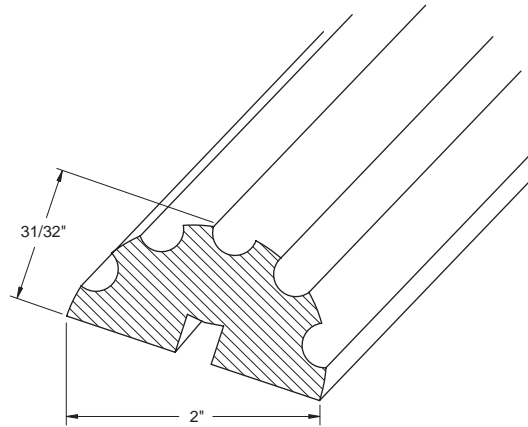
**1-1/2" Plain**



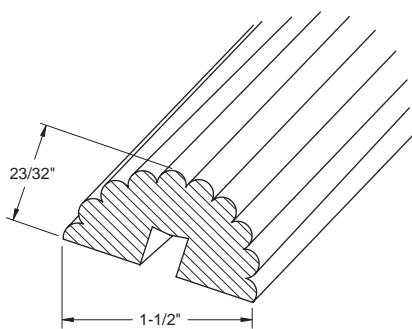
**2" Plain**



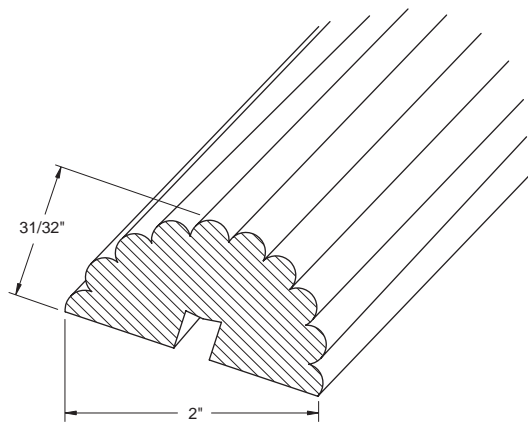
**1-1/2" Fluted**



**2" Fluted**



**1-1/2" Reeded**

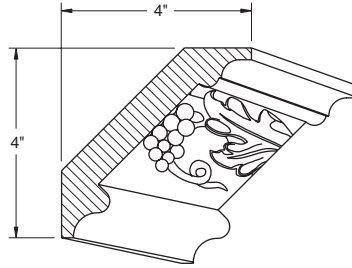


**2" Reeded**

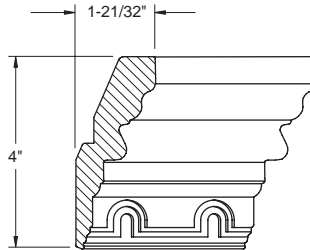
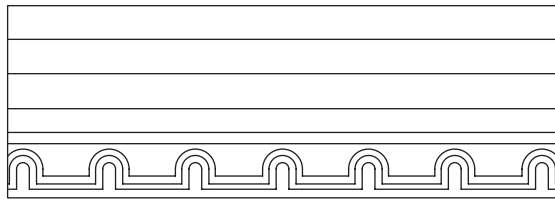
Note: Drawings not to scale.



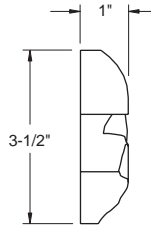
## Decorative Mouldings



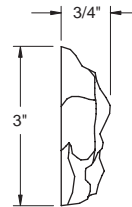
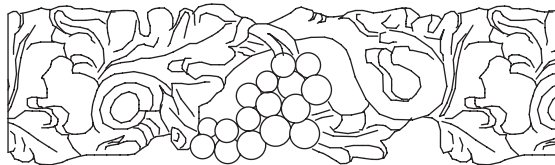
**Grape Crown**



**Arch Crown**



**Pierced Acanthus**



**Grape Trim**

8 Foot Decorative Moulding Pricing and Availability				
Design	Cherry		Maple	
	Part No.	Price	Part No.	Price
Grape Crown	2650992A	\$200.00	2650993A	\$190.00
Arch Crown	2651070A	115.00	2651071A	105.00
Pierced Acanthus	2650994A	240.00	2650995A	230.00
Grape Trim	2651068A	345.00	2651069A	325.00

Note: Drawings not to scale.

## Moulding Assembly Options

Conestoga's pre-assembled moulding options provide a cost effective alternative to installing mounting cleats and decorative accessory mouldings. By eliminating the need to assemble mouldings in your shop, you can increase throughput and focus your skilled labor on more profitable tasks. Assembled mouldings also finish more attractively, providing additional area for glaze hang up, accentuating the entire profile of decorative accessory mouldings.

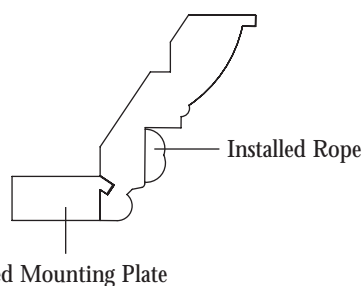
### Mounting Plate Installation Option

- \$8.50 per assembly.
- The Mounting Plate Installation option allows the 384 and 470 mounting plates to be pre-applied to select crown and light rail mouldings. For assembled mouldings over 8' in length, mounting plate will consist of two lengths cut to size.
- Eligible profiles include the 342, 343, 344, 1621, 1622 and 1623 Crowns, 345 Reversible Frieze and 1448 Light Rail.
- Pricing is calculated by adding the cost of both eight foot moulding lengths plus \$8.50 for the Mounting Plate Installation option.
- To order designate "Mounting Plate Installation" on your order form next to each piece of moulding to be preassembled.
- Finishing option is available for preassembled mouldings. See the Solid Wood Finishing Program section for pricing and finish availability.
- Add 2 days to lead-time.

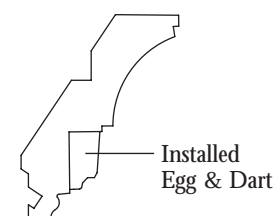
### Decorative Moulding Assembly Option

- \$8.50 per assembly.
- The Decorative Moulding Assembly option allows customers to order select crown mouldings with accessory mouldings preassembled.
- 342, 343, 344 Crown mouldings can be combined with the 7/8" Dentil, 1" Egg & Dart and 3/4" Rope mouldings.
- 1621, 1622 and 1623 Crown mouldings can be combined with the 1-1/2" Dentil, Egg & Dart and Rope mouldings.
- Pricing is calculated by adding the cost of both eight foot moulding lengths plus \$8.50 for the Decorative Moulding Assembly option.
- To order designate "Decorative Moulding Assembly" next to each piece of moulding to be preassembled.
- Finishing option is available for preassembled decorative mouldings. See the Solid Wood Finishing Program section for pricing and finish availability.
- Add 2 days to lead-time.

Mounting plate installation and decorative moulding assembly option



Decorative moulding assembly option





## Random Length and Special Order Moulding Programs

- Both random length and special order mouldings are categorized and priced by width. Moulding width is the smallest whole-inch dimension necessary to manufacture that particular moulding profile. For instance, 1.01" wide moulding pricing is in the 2" moulding width column. This is typical in all sizes. For clarification, see examples below.
  - ❖ A scribe moulding 1-1/4" wide is considered a 2" width.
  - ❖ A crown moulding 2-11/16" wide is considered a 3" width.
- Random length mouldings are only available in prime grade material. Each moulding will be between 4 and 12 feet in length, exact lengths may not be specified.
- Special order mouldings are only available in choice grade material. Standard length is 94" to 97". Ten to 12-foot lengths may be specified in certain species for a \$35 net upcharge per piece. Extended 10 to 15 day lead-times apply to 10 to 12-foot mouldings. Contact Customer Service for specie availability and pricing.

<b>Random Length Moulding Pricing</b> , per lineal ft. <span style="float: right;">7-12 day lead time</span>						
Specie	Moulding Width					
	1"	2"	3"	4"	5"	6"
Alder	\$1.72	\$2.50	\$3.52	\$5.35	\$6.86	\$9.20
Birch, Red	2.71	4.08	5.26	7.98	10.20	13.74
Birch, White	1.70	2.43	3.28	4.96	6.34	8.55
Cherry	2.26	3.40	4.39	6.65	8.50	11.45
Hickory	1.30	1.88	2.85	4.31	5.51	7.43
Lyptus	1.78	2.70	3.47	5.25	6.72	9.05
Maple, Hard	1.59	2.28	3.66	5.54	7.08	9.53
Maple, Soft	1.34	1.89	3.03	4.59	5.86	7.89
Oak, Red	1.32	1.91	2.71	4.10	5.25	7.07
Oak, White	1.36	1.92	2.77	4.19	5.36	7.20
Paint Grade	1.06	1.51	2.42	3.67	4.68	6.08
Pine, Clear	1.15	1.66	2.73	4.00	5.12	6.90
Walnut Subject to availability	1.81	2.69	3.62	5.26	6.74	8.81
<b>Special Order Moulding, 8Ft. Choice Grade Pricing</b> , per lineal ft. <span style="float: right;">7-12 day lead-time</span>						
Alder	\$1.99	\$2.87	\$4.07	\$6.14	\$7.86	\$10.57
Birch, Red	3.13	4.69	6.04	9.15	11.72	15.79
Birch, White	1.94	2.81	3.78	5.71	7.30	9.83
Cherry	2.61	3.91	5.04	7.63	9.77	13.16
Hickory	1.49	2.17	3.28	4.96	6.33	8.54
Lyptus	2.07	3.10	3.99	6.05	7.73	10.40
Maple, Hard	1.83	2.63	4.20	6.37	8.13	10.96
Maple, Soft	1.46	2.17	3.47	5.27	6.74	9.08
Oak, Red	1.52	2.20	3.12	4.71	6.03	8.12
Oak, White	1.56	2.21	3.18	4.83	6.16	8.30
Paint Grade	1.22	1.73	2.78	4.20	5.39	7.25
Pine, Clear	1.33	1.91	3.06	4.80	6.13	8.27
Walnut Subject to availability	2.08	3.09	4.17	6.06	7.74	10.43

- Prices given in the chart are for 3/4" thick mouldings. 1" thick moulding incurs a 30% upcharge.
- A \$50 net set-up charge will be applied to all non-stock profile orders totaling less than 100 ft.
- Volume Discounts per ft.
 

1,000–3,000 ft.	\$ .10/ft.
3,001–5,000 ft.	.15/ft.
Over 5,000 ft.	.20/ft.

## Random Length Cabinet Framing

- Random length cabinet framing is available only in prime grade material. Sizes shown in the pricing table below are for 3/4" thick "surfaced four sides" (S4S) square stock. Optional sanding is available at no additional cost. Specify sanded or unsanded when ordering.

### Ordering and Sizing Specifications

- Framing is categorized and priced by width. Framing width refers to the smallest whole-inch dimension necessary to manufacture that particular frame. If the framing is 1.01" wide, the appropriate pricing will be located in the 2" framing width column. This rule is typical in all sizes. For clarification, see examples below.
  - ❖ Framing 1-1/4" wide is considered a 2" width.
  - ❖ Framing 2-11/16" wide is considered a 3" width.
- Random length framing is available in 4 to 12-foot lengths. Exact lengths may not be specified.
- Framing wider than 5-1/16" may have one glue joint running the entire length of the framing.
- Minimum order quantity is 100 ft.
- Optional grooving for Conestoga's Cabinet System's assembly splines is available; refer to Random Length Moulding pricing matrix in this section. Stile and rail material must be ordered separately.

Random Length Cabinet Framing Pricing, per lineal ft.							7-12 day lead time
Specie	Framing Width						
	1"	2"	3"	4"	5"	6"	
Alder	\$1.47	\$2.12	\$2.94	\$4.53	\$5.81	\$7.91	
Bamboo	2.37	3.62	4.57	6.85	8.74	11.71	
Birch, Red	2.40	3.67	4.72	7.16	9.15	12.36	
Birch, White	1.44	2.07	2.79	4.22	5.40	7.26	
Cherry	2.04	3.06	3.94	5.97	7.63	10.30	
Hickory	1.10	1.61	2.42	3.66	4.69	6.31	
Lyptus	1.45	2.15	2.78	4.21	5.39	7.26	
Maple, Hard	1.37	1.94	3.11	4.70	6.01	8.10	
Maple, Soft	1.13	1.61	2.57	3.90	4.98	6.71	
Oak, Red	1.11	1.62	2.30	3.49	4.46	5.99	
Oak, White	1.15	1.64	2.35	3.56	4.55	6.14	
Paint Grade	.90	1.28	2.07	3.11	3.99	5.37	
Pine, Clear	.99	1.41	2.24	3.41	4.36	6.11	
Walnut Subject to availability	1.54	2.29	3.08	4.47	5.72	7.71	

- Prices given in the chart are for 3/4" thick mouldings. 1" thick moulding incurs a 30% upcharge.
- A \$50 net set-up charge will be applied to all non-stock profile orders totaling less than 100 ft.
- Volume Discounts per ft.
 

1,000–3,000 ft.	\$.10/ft.
3,001–5,000 ft.	.15/ft.
Over 5,000 ft.	.20/ft.