



Custom Drawer Boxes

- Conestoga's Drawer Box program offers multiple wood specie selections and custom options. Information about dovetail drawer boxes and related options are found on the following pages.
- Dovetail drawer boxes are available fully assembled and can be ordered unfinished or finished; see finishing information contained in this section.
- Natural Birch, Hard Maple and Soft Maple drawer box options and accessories have a 6 day standard lead-time, and a 2 day code red expedite lead-time; add 2 days for finishing. All other published specie drawer box species, add 5 additional days.

5/8" Assembled Custom Dovetail Drawer Box Specifications

The following species are available for the 5/8" Custom Dovetail Drawer Box program:

- Hard Maple and Soft Maple boxes are constructed with Maple veneer (wood composite core) bottom.
- Natural Birch boxes are constructed with Birch veneer face and sound back plywood bottom.
- All other published specie drawer boxes are constructed with a matching specie 1/4" plywood bottom except Bamboo which utilizes 1/4" White Oak.

To determine the list price of a dovetail drawer box:

- Multiply the perimeter of the box in linear inches {2 x (width + depth)} by the appropriate height/specie price.
- Add the \$4 mandatory assembly charge per box. All drawer boxes are pre-assembled.
- Add the price of the selected options.

Pricing Example: Hard Maple 4" high x 12" wide x 21-1/2" deep, assembled, finished, 1/4" bottom, undermount notching

67	Lineal inches (2 x (12 + 21-1/2"))
\$0.40	X Specie linear inch charge
\$26.80	= Subtotal
4.00	+ Assembly
6.00	+ Finishing
1.25	+ Notching option
\$38.05	= Total list price

Dovetail Drawer Box Size Parameters

Description	Minimum	Maximum	Increments
Height	2"	12"	1/2"
Width	3"	46"	1/16"
Depth	3"	31"	1/16"

Dovetail Drawer Box Pricing

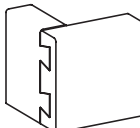
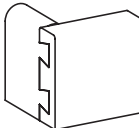
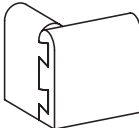
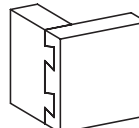
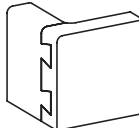
Drawer Box Height, 1/4" Bottom, (All Dimensions in Inches)						
Specie	2" to 3"	3-1/2" to 4"	4-1/2" to 6"	6-1/2" to 8"	8-1/2" to 10"	10-1/2" to 12"
Natural Birch	\$.26	\$.27	\$.32	\$.40	\$.48	\$.56
Maple, Hard	.38	.40	.46	.67	.79	.90
Maple, Soft	.36	.37	.41	.58	.67	.78
Category 1*	.68	.79	1.02	1.25	1.47	1.70
Category 2*	.80	.95	1.23	1.52	1.81	2.11

*Category 1 species include: Hickory, Pine, Red Oak, and White Oak. Category 2 species include: Alder, Cherry, Lyptus, Walnut, Quarter Sawn Red Oak and Quarter Sawn White Oak.

Drawer Box Height, 3/8" Bottom, (All Dimensions in Inches)						
1/8" has been added to accommodate 3/8" bottoms						
	2-1/8" to 3-1/8"	3-5/8" to 4-1/8"	4-5/8" to 6-1/8"	6-5/8" to 8-1/8"	8-5/8" to 10-1/8"	10-5/8" to 12-1/8"
Natural Birch*	\$.34	\$.35	\$.41	\$.49	\$.57	\$.65
Maple, Hard	.44	.46	.53	.74	.86	.97
Maple, Soft	.42	.43	.48	.65	.74	.85

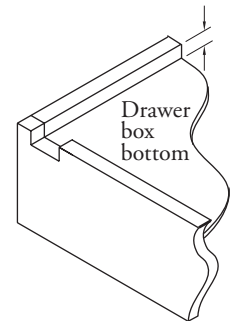
*Natural Birch 3/8" bottoms are Maple veneer with composite wood core.

Additional Options and Pricing

Additional Options and Pricing		
Bottom Thickness		
1/4"	Standard	
3/8"	Requires 1/8" to be added to the drawer box height	
No Bottom	Optional	
No Upcharge		
Bottom Reveal		
1/2"	Standard	
No Upcharge		
3/8"	Optional	
\$1.00		
Finished with clear top coat, per box		
100 lineal inches or fewer per box	\$6.00	
Greater than 100 lineal inches per box	10.00	
Top Edge Profiles		
		
Standard eased edge 1/16" Radius No upcharge	Eased edge front and back bull-nosed sides \$1.90 per box	Bull-nosed full radius edge Four sides \$1.90 per box
		
Machine edge Four sides \$1.90 per box	1/8" Routed edge All except outside front edge \$2.90 per box	

Reveal Detail

Reveal: 1/2" or 3/8"

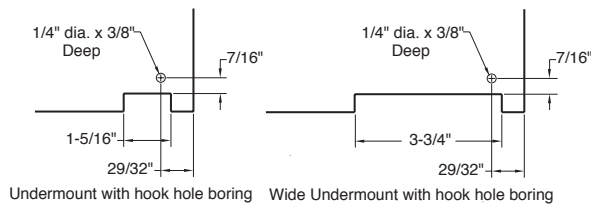
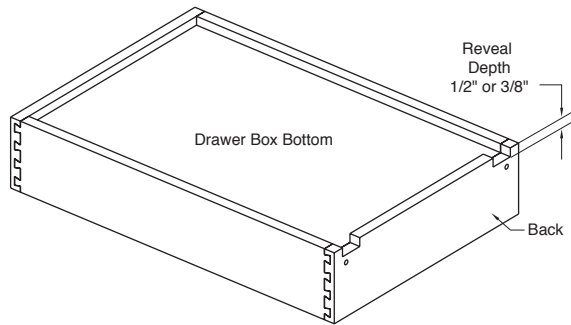




Dovetail Drawer Box Options

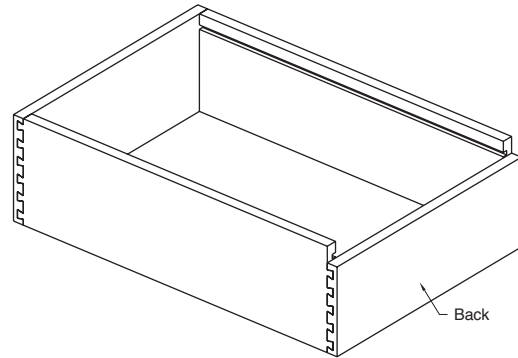
Undermount Notching Options

- Minimum drawer box width 6"
- Undermount notching only \$1.25
- Undermount notching with hook hole boring (detail shown below) \$1.75
- Wide undermount notching with hook hole boring (detail shown below) (Entire back will be notched on boxes less than 9-3/4" wide). \$2.35



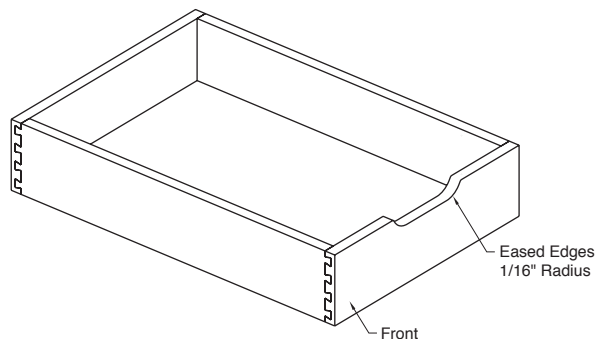
Bread Box Top Routing \$4.00

- Designed for 1/8" or 1/4" thick lids
- 9/32" deep groove on sides only
- 1/8" rout is 5/32" wide
- 1/4" rout is 9/32" wide
- Minimum box height 4"
- **Lid not included.**



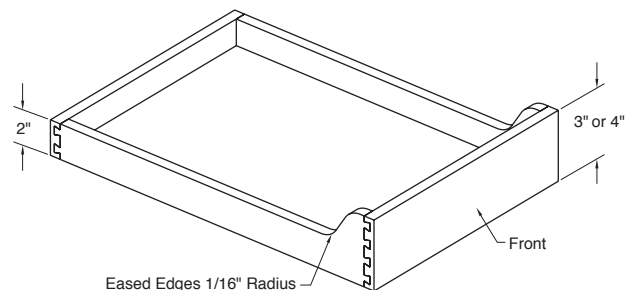
Hand Pull \$3.40

- Minimum box width is 9"
- Hand pull is 5-1/4" wide and centered on front of drawer box



Cut-Down Sides \$6.80

- Available for 3" or 4" high drawer boxes only
- Add 1/8" to box height dimensions when ordering 3/8" bottoms
- Rear box height 2"

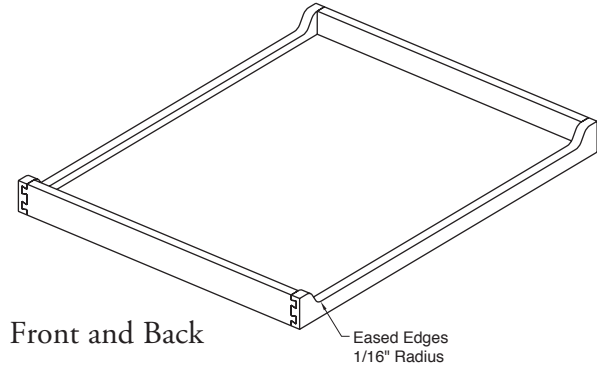
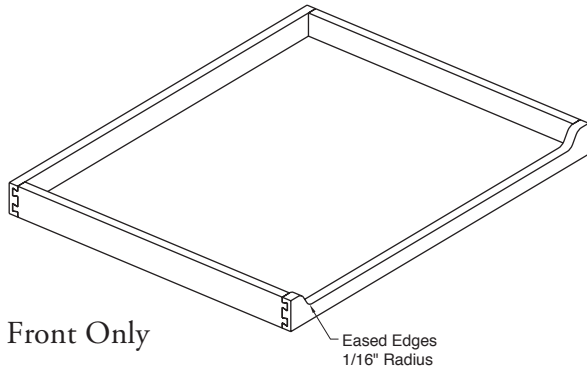




Dovetail Drawer Box Options (continued)

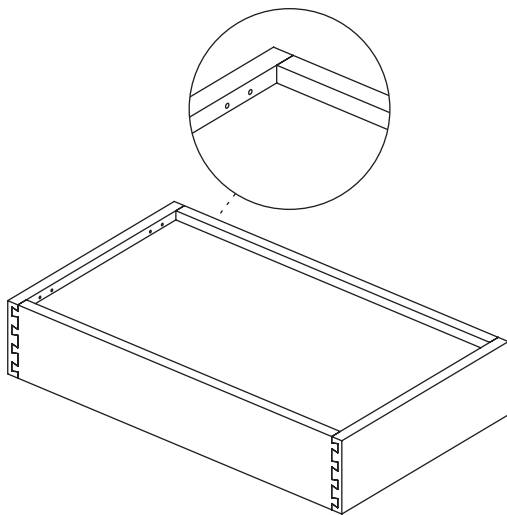
Keyboard Tray Option **\$6.80 Front Only**
 \$13.60 Front and Back

- Minimum box width 12"
- Minimum box height 2"
- Maximum box height 3-1/8"

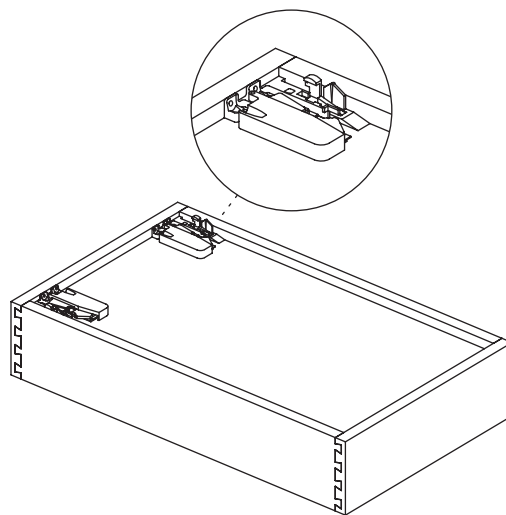


Blum TANDEM Clip Options

- Pre-drilling and installation options are for Blum TANDEM drawer hardware.
- Minimum box width 5-1/2"
- 1/2" reveal only
- Undermount notching with hook hole boring are not standard and must be specified.



Blum TANDEM Clips Pre-drilled \$1.00

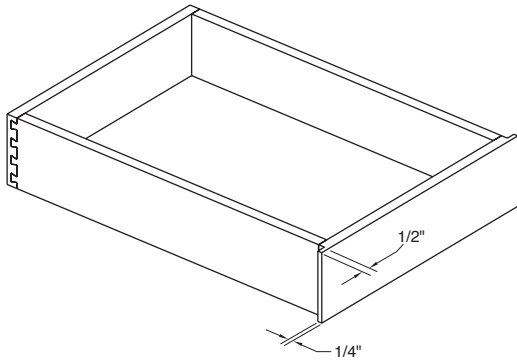


Blum TANDEM Clips Installed \$4.00



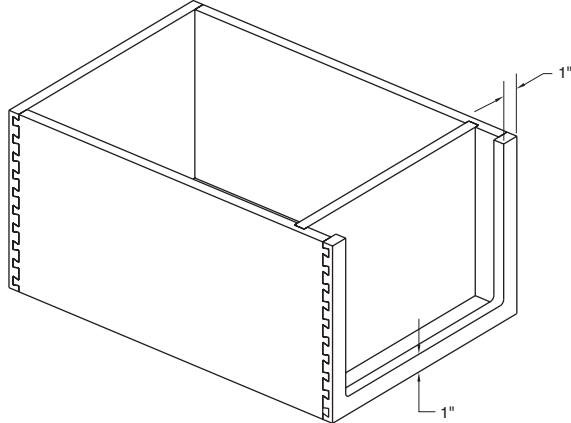
Dovetail Drawer Box Options (continued)

Roll Out Drawer Front Option \$6.50



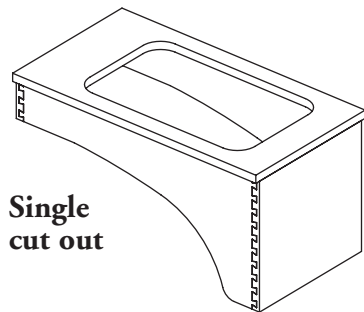
- Drawer box front is 1" wider than the overall ordered box width
- Minimum box width is 8"

Visible Storage Unit Routing \$16.00

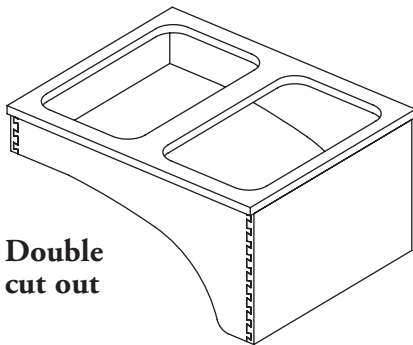


- Minimum box width is 12"
- Minimum box height is 7"
- Maximum box width is 24"
- Removable divider included. Located 1-1/2" behind front of drawer box.

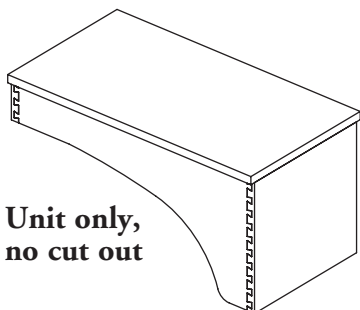
Trash Can Pull Out



Single cut out



Double cut out



Unit only, no cut out

- Available in Natural Birch and Hard Maple.
- 11/16" Hard Maple plywood top for Natural Birch and Hard Maple units.
- When ordering trash can pull outs, specify the drawer box width. The top will extend 3/8" past the sides of the drawer box.
- Designed to be used with side mount full extension slides - hardware not included.
- Unit with single cut out includes one Rubbermaid® 7-gallon, almond color waste can; double cut out includes two waste cans; no cut out option does not include a waste can.
- Front height is 10" to accommodate door mounting hardware. Rear height is 3".
- Depth: 21-3/4" fixed.
- Options and pricing (Natural Birch and Hard Maple).

Single cut out: \$115.00

Minimum width: 11"

Maximum width: 21"

Double cut out: \$135.00

Minimum width: 15"

Maximum width: 27"

Unit only, no cut out (solid top shipped loose): \$105.00

Minimum width: 11"

Maximum width: 27"

Waste can: \$7.00

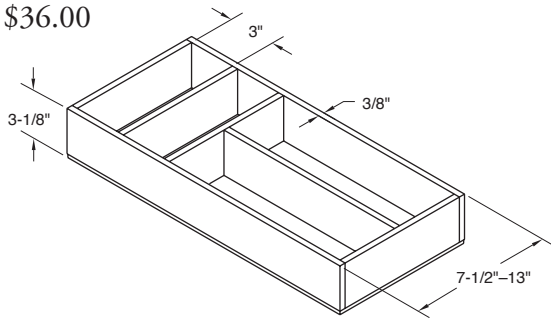
- Finishing option charge: \$10.00 per pull out.

Cutlery Dividers

- Available in Natural Birch and Hard Maple.
- When ordering specify design A, B, C, D, E, F, G or H.
- Specify depth and width in 1/16" increments. Both dimensions are measured from outside edge to outside edge.
- Depth for all designs must be between 16" to 22". Refer to specific design for width range.
- When ordered with a drawer box, cutlery dividers are sized 1-5/16" less than the width and depth of the overall drawer box size.
- To order a custom size cutlery divider, specify the depth, width and design as a separate line item on the order form.
- Standard height is 3-1/8". Height modifications available; see following pages for options and pricing.
- Finishing option charge: \$7.00

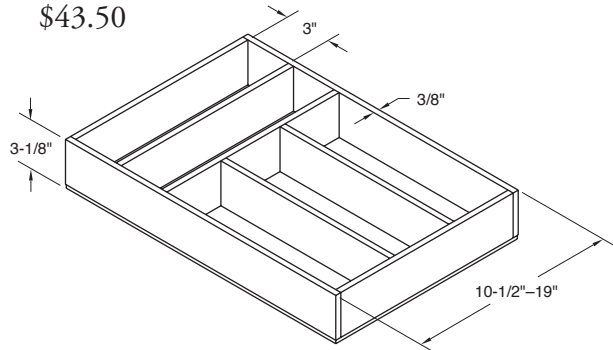
Design A

\$36.00



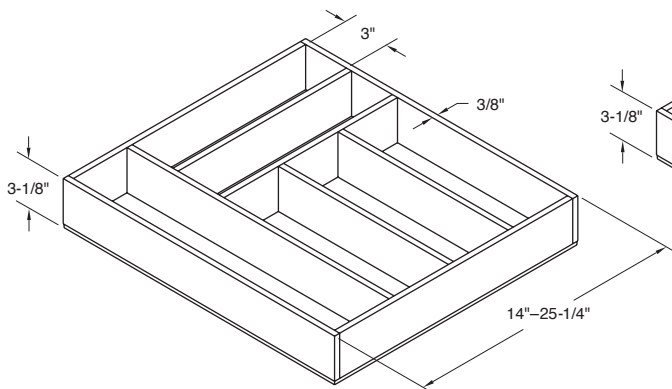
Design B

\$43.50



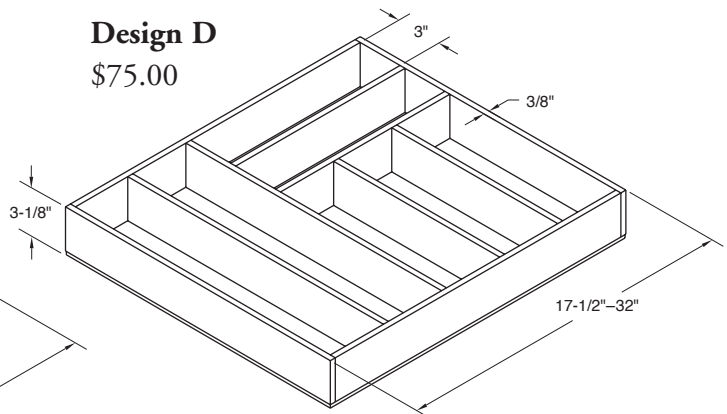
Design C

\$51.00



Design D

\$75.00

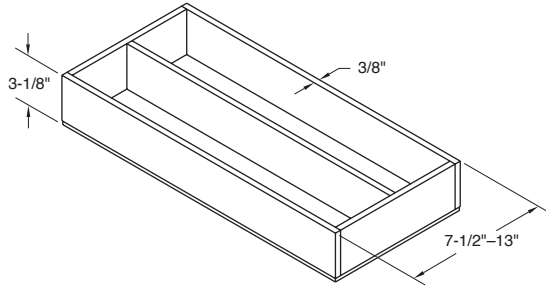




Custom Drawer Accessories (continued)

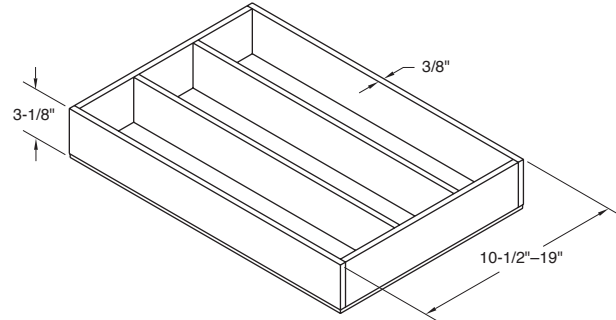
Design E

\$32.50



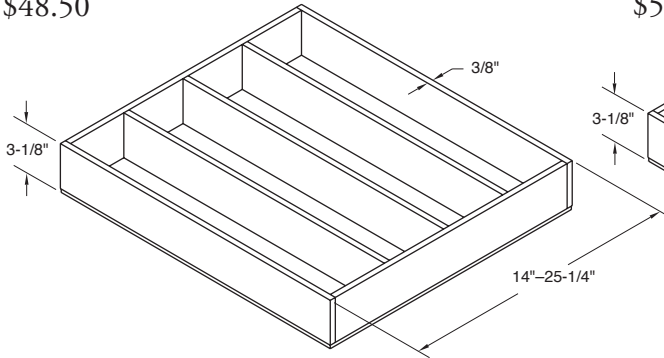
Design F

\$40.50



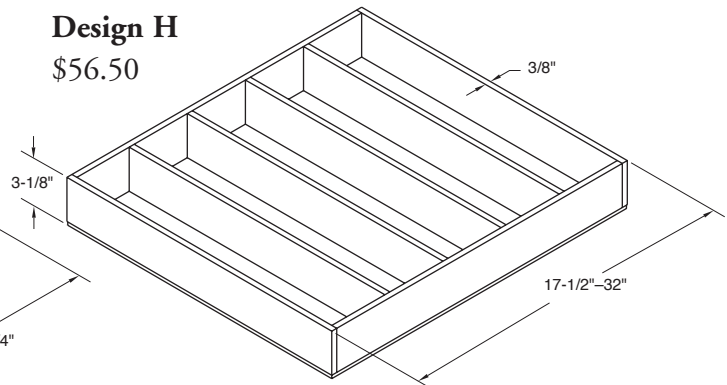
Design G

\$48.50



Design H

\$56.50



No Bottom Option

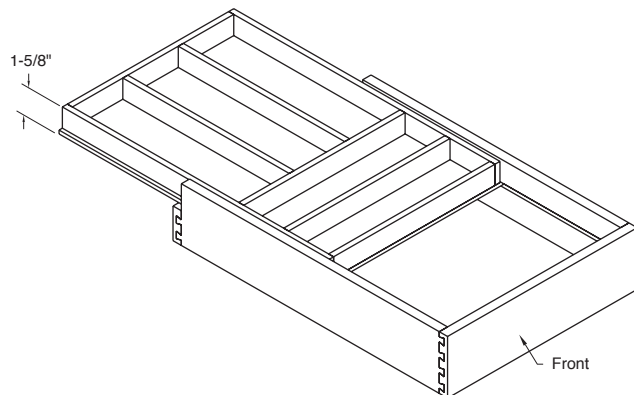
- No upcharge
 - ❖ All cutlery divider designs are constructed with a 1/4" bottom unless "NO BOTTOM" is specified.
 - ❖ Maximum height of cutlery dividers with no bottom is 2-7/8".

Reduced Height Option

- \$2.00 upcharge
 - ❖ All divider designs can be reduced in height for specialty applications. Specify divider height when ordering.
 - ❖ Minimum divider height with bottom is 1-5/8".
 - ❖ Minimum divider height without bottom is 1-3/8".

Sliding Cutlery Divider

- \$4.00 + divider design charge



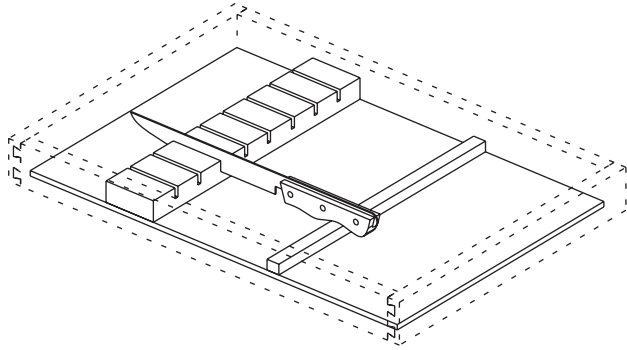
- ❖ Available with all divider configurations; specify design when ordering.
- ❖ Top divider is 1-3/8" high mounted on a 1/4" base.
- ❖ Recommended maximum drawer box width is 24" to ensure proper operation.



Custom Drawer Accessories (continued)

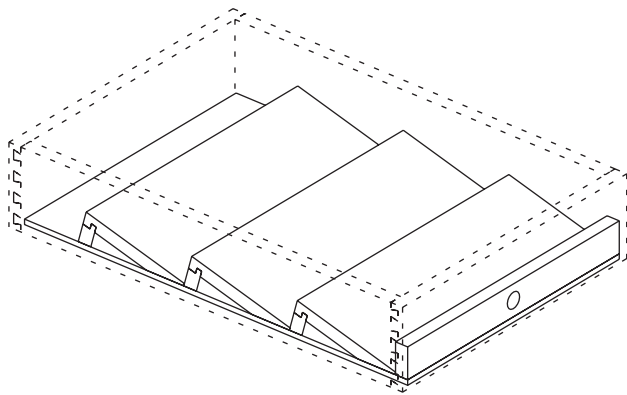
Knife Block Insert

\$22.50



- Can be sized to fit a specific drawer box or ordered separately. If ordering separately, specify width and depth.
- Knife block and handle rest are unfinished Hard Maple mounted on a prefinished 1/4" bottom.
- Spacing is 1-1/4" between slots.
- Minimum insert: 7-1/2" wide x 16" deep.
- Maximum insert: 21" wide x 22" deep.

Spice Tray Insert



- Can be sized to fit a specific drawer box or ordered separately. If ordering separately, specify width and depth.
- 3/4" diameter finger hole centered on lead rail for ease of removal from a drawer box.
- Spice rests are 5-1/4" wide, 1-1/2" high.
- Minimum insert: 7-1/2" wide x 17" deep.
- Maximum insert: 32" wide x 22" deep.

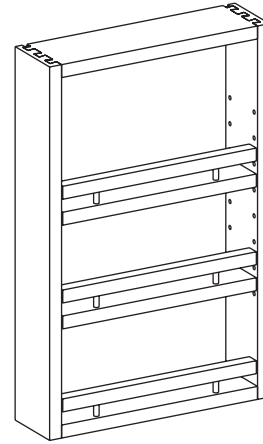
Spice Tray Insert Width

Specie	7-1/2" to 15"	15-1/16" to 23"	23-1/16" to 32"
Natural Birch	\$42.50	\$48.00	\$54.00
Maple, Hard	56.50	69.25	82.75



Spice Storage Units

- Dovetail construction with 5/8" thick sides and ends.
- 1/4" plywood back flush with back of unit.
- 32mm linebore shelf support system.
- 5mm locking shelf clips.
- Matching specie retainer rail attached to unit bottom and each adjustable shelf.
- Installation hardware is not included. Additional hinges and adequate installation hardware are required to ensure proper operation.
- Available size range:
Height: 18" to 36"
Width: 8" to 21"
Depth: 3-1/8" fixed
- Finishing option charge: \$14.00 per spice storage unit.



Number of Shelves - Spice Storage Units

Unit Height	Shelves Per Unit
18" - 23"	2
23-1/16" - 31"	3
31-1/16" - 36"	4

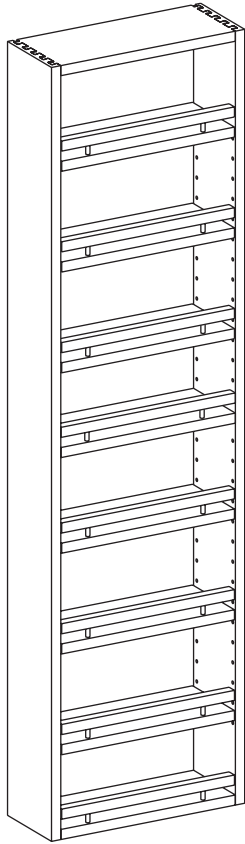
Spice Storage Unit Pricing

Unit Height	Unit Width					
	Natural Birch			Hard Maple		
	8" to 13"	13-1/16" to 17"	17-1/16" to 21"	8" to 13"	13-1/16" to 17"	17-1/16" to 21"
18" to 23"	\$70.00	\$75.00	\$80.00	\$84.00	\$89.00	\$94.00
23-1/16" to 31"	89.00	96.00	102.00	103.00	111.00	117.00
31-1/16" to 36"	106.00	114.00	122.00	122.00	129.00	138.00

To determine the list price of an interior storage unit:

- Find the size range of the unit in the applicable specie table. Select the price based on the overall width and height of the unit.
- Add finishing charges if applicable.

Can Storage Units



- Dovetail construction with 5/8" thick sides and ends.
- 1/4" plywood back flush with back of unit.
- 32mm linebore shelf support system.
- 5mm locking shelf clips.
- Matching specie retainer rail attached to unit bottom, fixed center shelf and each adjustable shelf.
- For structural integrity, units over 39" high have one fixed shelf, centered.
- Installation hardware is not included. Additional hinges and adequate installation hardware are required to ensure proper operation.
- Available size range:
Height: 21" to 60"
Width: 8" to 21"
Depth: 5" fixed
- Finishing option charge:
\$18.00 per can storage unit.

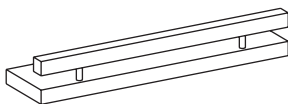
Number of Shelves - Can Storage Units

Unit Height	Shelves Per Unit
21" - 23"	2
23-1/16" - 31"	3
31-1/16" - 39"	4
39-1/16" - 47"*	5
47-1/16" - 55"*	6
55-1/16" - 60"*	7

*Units over 39" include 1 fixed shelf

Can Storage Unit Pricing

Unit Height	Unit Width					
	Natural Birch			Hard Maple		
	8" to 13"	13-1/16" to 17"	17-1/16" to 21"	8" to 13"	13-1/16" to 17"	17-1/16" to 21"
21" to 23"	\$86.00	\$94.00	\$101.00	\$105.00	\$114.00	\$121.00
23-1/16" to 31"	109.00	119.00	128.00	129.00	140.00	149.00
31-1/16" to 39"	132.00	144.00	155.00	153.00	166.00	177.00
39-1/16" to 47"	156.00	169.00	182.00	178.00	192.00	205.00
47-1/16" to 55"	179.00	195.00	209.00	202.00	219.00	233.00
55-1/16" to 60"	201.00	217.00	233.00	225.00	242.00	258.00



Loose shelves:

- Specify spice or can style and unit width.
- Finishing is included in price.

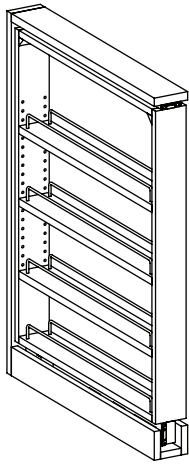
Spice Storage Units: \$15.50

Can Storage Units: \$18.50



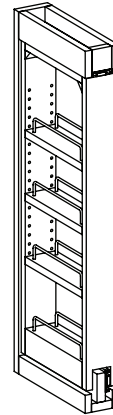
Pull-out Storage Units

Base Units



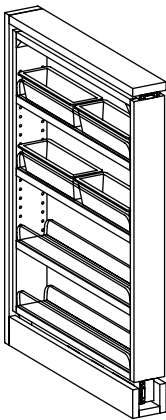
- All base storage units 23" deep and 30" high.

Wall Units



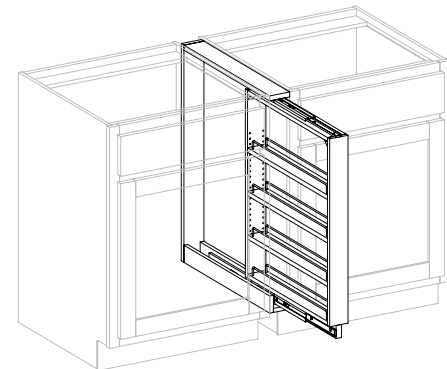
- Available in 30", 36" and 42" high.
- All wall storage units 11-1/8" deep.

Vanity Units



- Available in 26" (vanity) and 30" (base) heights.
- All vanity storage units 19" deep.
- 26" high include 3 adjustable shelves and 4 plastic trays.
- 30" high include 4 adjustable shelves and 6 plastic trays.

Pull-out Storage Unit Installed



- Mount pull-out storage units to adjacent cabinets.

- Pull-out storage units are designed for 3" or 6" spaces between cabinets and can be accessed from both sides.
- Storage units are fully assembled and packaged with installation instructions.
- Wall and base storage units include adjustable shelves with chrome rails and full-extension ball-bearing slides.
- Vanity storage units include plastic accessory trays and shelf rails.
- Prefinished natural birch only; unfinished units are not available.
- Front fascia panels are not included and must be ordered separately.

Pull-out Storage Unit Pricing

Part No.	Description	Price
2100750A	3" Base Pull-out Storage Unit	\$117.00
2100751A	6" Base Pull-out Storage Unit	138.00
2100752A	3" Wall Pull-out Storage Unit - 30" High	109.00
2100753A	6" Wall Pull-out Storage Unit - 30" High	132.00
2100754A	3" Wall Pull-out Storage Unit - 36" High	115.00
2100755A	6" Wall Pull-out Storage Unit - 36" High	140.00
2100756A	3" Wall Pull-out Storage Unit - 42" High	121.00
2100757A	6" Wall Pull-out Storage Unit - 42" High	144.00
2100758A	3" Vanity Pull-out Storage Unit - Vanity Height	176.00
2100759A	6" Vanity Pull-out Storage Unit - Vanity Height	208.00
2100760A	3" Vanity Pull-out Storage Unit - Base Height	223.00
2100761A	6" Vanity Pull-out Storage Unit - Base Height	262.00



INTERIOR STORAGE

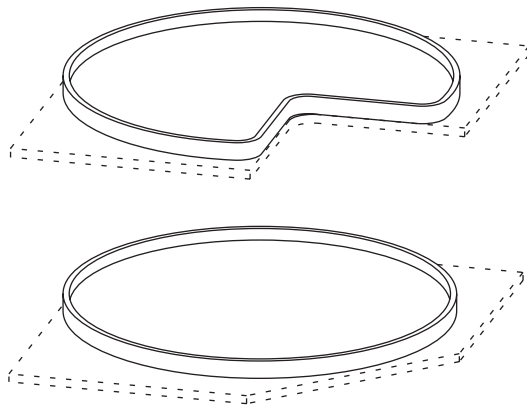
Custom Products



Lazy Susan Shelves

- Wood susans are designed to be installed onto adjustable shelves or cabinet floors. Pricing includes susan and mounting ring bearing only, cabinet shelves not included.
- Susans mount directly on surfaces - no center pole is required.
- Sold individually and packaged with a center mounted ring bearing.
- All susans are prefinished with a clear topcoat; unfinished units are not available.

Standard Wood Lazy Susan Shelves

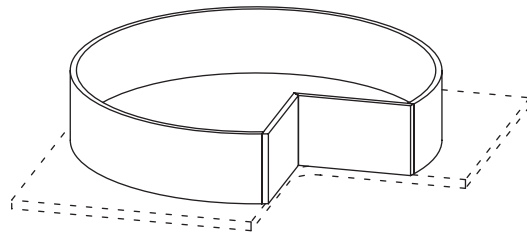


Standard Wood Lazy Susan Shelf Pricing

Part No.	Description	Price
2100050A	32" Kidney-Wood Lazy Susan	\$69.50
2100051A	32" Full Round-Wood Lazy Susan	68.00
2100052A	28" Kidney-Wood Lazy Susan	64.00
2100053A	18" Full Round-Wood Lazy Susan	49.50

- 1/2" thick Hard Maple plywood with a 1-1/2" high laminated edge.

Deep Wood Lazy Susan Shelves



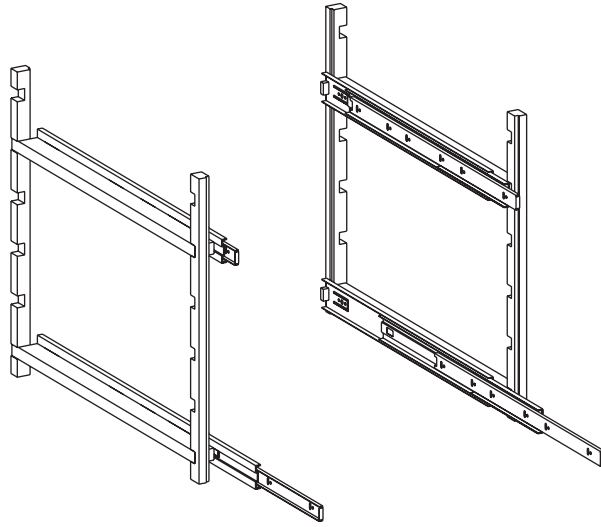
Deep Lazy Susan Shelf Pricing

Part No.	Description	Price
2100032A	30" Kidney-Wood Lazy Susan	\$129.00

- 1/2" thick Hard Maple plywood with a 6" high laminated edge.
- Note: Shelf diameter, profile and contour do not match standard wood kidney listed above.

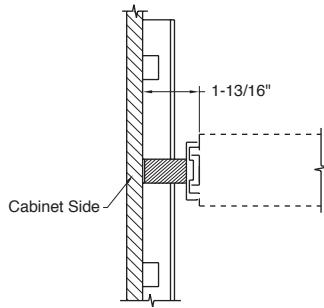


Adjustable Pull Out Tray System Kits

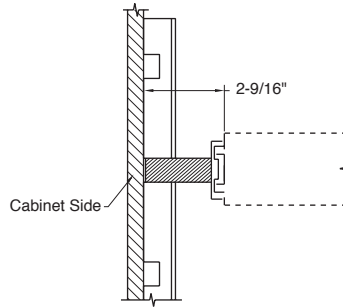


Base/Vanity Corner Cleats: 4 pieces $\frac{3}{4}$ " X 1" X 19-1/4"
(six positions)
Tall Corner Cleats: 4 pieces $\frac{3}{4}$ " X 1" X 51-3/4"
(16 positions)

- Adjustable pull out tray hardware systems feature unfinished Soft Maple components and 75lb. capacity ball bearing full extension drawer slides. Drawer boxes not included.
- Kits are available for base (24" deep), vanity (21" deep) or tall utility (21" and 24" deep) cabinetry applications. Base and vanity kits include hardware for 2 full width pull outs. Tall kits include hardware for 4 full width pull outs.
- Two cleat widths "A" or "B" (horizontal drawer slide supports) are available to accommodate overlay or inset and framed or frameless cabinet construction.
- Vertical corner cleats can be trimmed in height to accommodate adjustable shelves.
- 4 day standard lead-time, 2 day code red expedite lead-time.



SYSTEM CLEAT WIDTH "A"
Base/Tall: $\frac{3}{4}$ " X 1-5/16" X 21-11/16"
Vanity: $\frac{3}{4}$ " X 1-5/16" X 18-11/16"



SYSTEM CLEAT WIDTH "B"
Base/Tall: $\frac{3}{4}$ " X 2-1/16" X 21-11/16"
Vanity: $\frac{3}{4}$ " X 2-1/16" X 18-11/16"

System Kits - Cleat Width "A"			System Kits - Cleat Width "B"		
Kit Number	Description	Price	Kit Number	Description	Price
SYSB24-AA	Base 24" ($\frac{3}{4}$ " X 1-5/16" X 21-11/16")	\$65.00	SYSB24-BA	Base 24" ($\frac{3}{4}$ " X 2-1/16" X 21-11/16")	\$70.00
SYSTB24-AA	Tall 24" ($\frac{3}{4}$ " X 1-5/16" X 21-11/16")	135.50	SYSTB24-BA	Tall 24" ($\frac{3}{4}$ " X 2-1/16" X 21-11/16")	145.00
SYSV21-AA	Vanity 21" ($\frac{3}{4}$ " X 1-5/16" X 18-11/16")	63.00	SYSV21-BA	Vanity 21" ($\frac{3}{4}$ " X 2-1/16" X 18-11/16")	68.00
SYSTV21-AA	Tall 21" ($\frac{3}{4}$ " X 1-5/16" X 18-11/16")	130.00	SYSTV21-BA	Tall 21" ($\frac{3}{4}$ " X 2-1/16" X 18-11/16")	140.00
Single Shelf Kits - Cleat Width "A"			Single Shelf Kits - Cleat Width "B"		
Kit Number	Description	Price	Kit Number	Description	Price
SYSSB24-AA	Base 24" ($\frac{3}{4}$ " X 1-5/16" X 21-11/16")	\$30.00	SYSSB24-BA	Base 24" ($\frac{3}{4}$ " X 2-1/16" X 21-11/16")	\$32.00
SYSSV21-AA	Vanity 21" ($\frac{3}{4}$ " X 1-5/16" X 18-11/16")	28.00	SYSSV21-BA	Vanity 21" ($\frac{3}{4}$ " X 2-1/16" X 18-11/16")	30.00

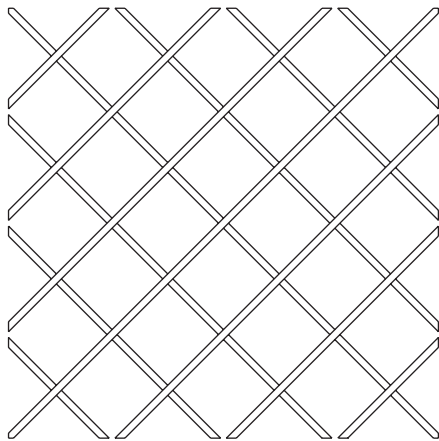


Lattice Wine Racks

Lattice Wine Rack Pricing				
Model	Size	Unfinished Price		
		Red Oak	Hard Maple	Cherry
Standard	17" x 36"	\$33.00	\$38.00	\$43.00
	24" x 30"	35.00	40.00	45.00
	24" x 43"	50.00	55.00	60.00
Square	17" x 36"	43.00	48.00	53.00
	24" x 30"	45.00	50.00	55.00
	24" x 43"	65.00	70.00	75.00
Deluxe	17" x 36"	48.00	53.00	58.00
	24" x 30"	50.00	55.00	60.00
	24" x 43"	70.00	75.00	80.00

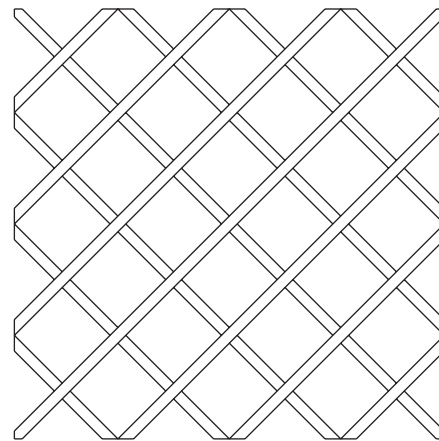
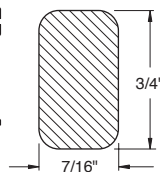
Lattice Wine Racks

- Sold individually (specify two pieces if pair is desired).
- Trimmable in length and width.
- Standard rack bottle openings are 4" x 4".
- Square and Deluxe bottle openings are 4-1/4" x 4-1/4".
- Square and Deluxe wine racks can be used to make a pair.
- Available unfinished or finished. See Solid Wood Finishing Program section for pricing.



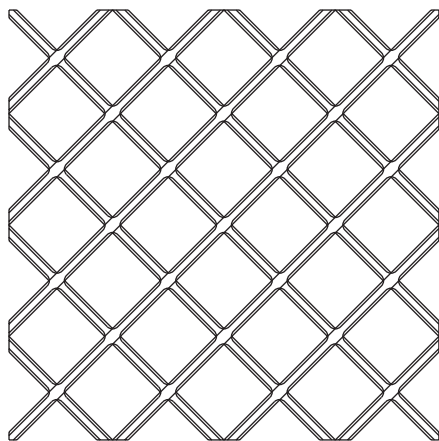
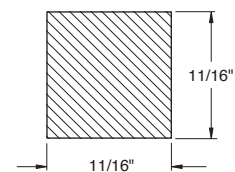
Standard

Standard cross section



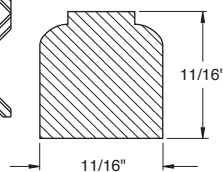
Square

Square cross section

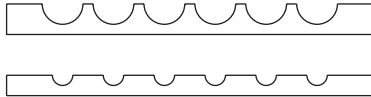


Deluxe

Deluxe cross section

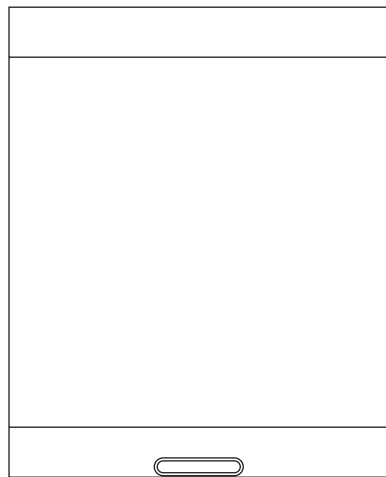


Half Round Wine Racks

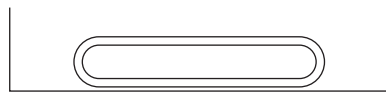


- Design charge is \$28.00, material category B pricing.
- Use 1.25 sq. ft. to calculate 30" racks and 1.50 sq. ft. to calculate 36" racks.
- Sold in pairs (front and back).
- 3/4" thick only.
- 30" or 36" length.
- Front is 2" high, back is 3" high.
- Back bottle cutouts are 4" wide.
- Bottle cutouts start 3" from end on 30" and 3-1/2" on 36".
- 30" holds 5 bottles, 36" holds 6 bottles.
- Horizontal grain direction only.
- Available unfinished or finished. See Solid Wood Finishing Program section for pricing.

Custom Cutting Boards



- Design charge is \$7.75, material category B pricing.
- Minimum size 6" wide x 7-1/2" high, maximum size 36" wide x 48" high.
- Available in 3/4" thick Hard Maple, Paint Grade and Soft Maple only.
- Manufactured using pinless, three-piece construction with 2-5/16" wide rails on face.
- Each edge is eased with a 3/32" radius.
- No oils, treatment or other coatings will be applied.
- Hand pull option is available: \$1.40 per pull.

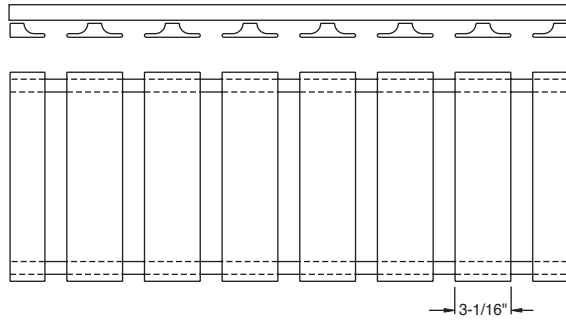


Hand Pull - front view



Hand Pull - bottom edge view

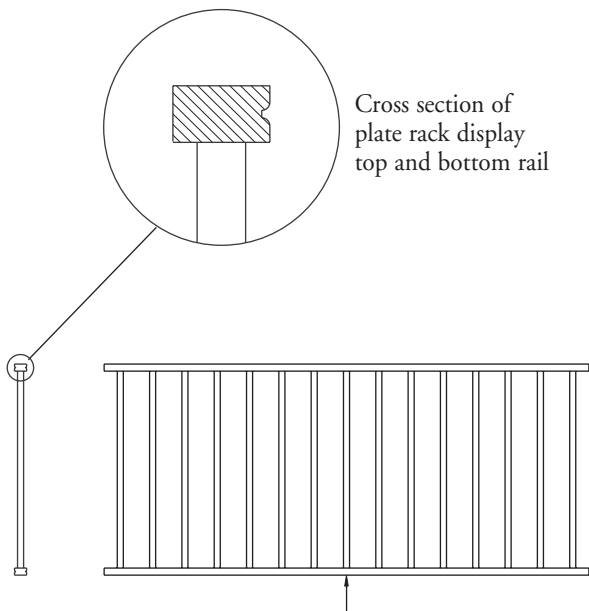
Stemware Holders



Specie	Unfinished Price	
	30"	36"
Cherry	\$72.00	\$83.00
Hard Maple	54.00	65.00
Hickory	58.00	69.00
Red Oak	52.00	63.00

- 30" (7 slots) or 36" (8 slots) width.
- Spacing between slats
30" stemware holder – 1-1/8"
36" stemware holder – 1-3/8"
- Depth 11-1/4".
- Thickness 1-1/2".
- Constructed of solid wood.
- Accommodates most stemware styles.
- Available unfinished or finished. See Solid Wood Finishing Program section for pricing.

Plate Rack Displays



Cross section of plate rack display top and bottom rail

Specie	Unfinished Price	
	30"	36"
Cherry	\$61.00	\$72.00
Hard Maple	42.00	48.00
Hickory	45.00	51.00
Red Oak	40.00	46.00

Plate Rack Displays

- Sold in pairs.
- 30" or 36" width.
- Overall height 13-1/16".
- Thickness 3/4".
- Constructed with 7/16" same specie dowels, 2" on center.
- Removable center dowel for ease of cleaning.
- Available unfinished or finished. See Solid Wood Finishing Program section for pricing.



Notes