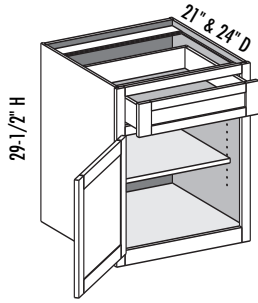




**DB - Desk Base**

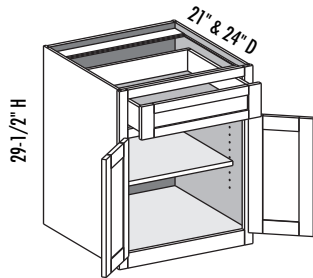


D	DF	DB	EXT	EXP	FL	MI	STR	FT	FTRA
1	1	1	✓	✓	✓	✓		STD	

- Craftsman line only
- 2-1/2" high flush toe

Cabinet Code	Craftsman		Pioneer			Flush End (ea.)	Exposed End (ea.)	Doors		Drawer Fronts	
	3-sided	4-sided	3-sided	4-sided	Shelf*			1/2"	1 1/4"	1/2"	1 1/4"
DB1229.5	—	\$114.60	—	—	—	\$6.40	\$2.50	1.4	1.7	0.4	0.5
DB1529.5	—	120.60	—	—	—	6.40	2.50	1.8	2.1	0.5	0.6
DB1829.5	—	126.90	—	—	—	6.40	2.50	2.2	2.6	0.7	0.8
DB2129.5	—	132.90	—	—	—	6.40	2.50	2.6	3.0	0.8	0.9
DB2429.5	—	139.00	—	—	—	6.40	2.50	3.1	3.4	0.9	1.0

**DB - Desk Base w/Butt Doors**

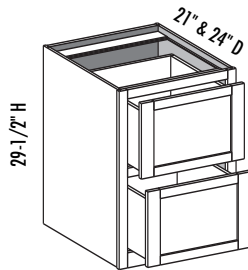


D	DF	DB	EXT	EXP	FL	MI	STR	FT	FTRA
2	1	1	✓	✓	✓	✓		STD	

- Craftsman line only
- 2-1/2" high flush toe

Cabinet Code	Craftsman		Pioneer			Flush End (ea.)	Exposed End (ea.)	Doors		Drawer Fronts	
	3-sided	4-sided	3-sided	4-sided	Shelf*			1/2"	1 1/4"	1/2"	1 1/4"
DB2429.5BD	—	\$139.00	—	—	—	\$6.40	\$2.50	3.0	3.4	0.9	1.0

**DB2D - Desk Base Two Drawers**



D	DF	DB	EXT	EXP	FL	MI	STR	FT	FTRA
	2	2	✓	✓	✓			STD	

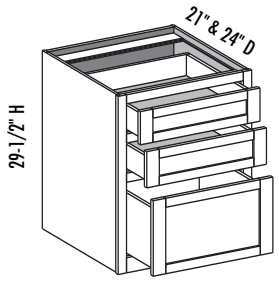
- Craftsman line only
- 2-1/2" high flush toe
- Unfinished interiors only
- Both drawers designed to accommodate Pendaflex files

Cabinet Code	Craftsman		Pioneer			Flush End (ea.)	Exposed End (ea.)	Doors		Drawer Fronts	
	3-sided	4-sided	3-sided	4-sided	Shelf*			1/2"	1 1/4"	1/2"	1 1/4"
DB2D1529.5	—	\$168.90	—	—	—	\$6.40	\$2.50	—	—	2.3	2.8
DB2D1829.5	—	176.60	—	—	—	6.40	2.50	—	—	2.9	3.4
DB2D2129.5	—	184.30	—	—	—	6.40	2.50	—	—	3.4	4.0

Options Key: D=Number of Doors DF=Number of Drawer Fronts DB=Drawer Box EXT=Extended Stiles EXP=Exposed End FL=Flush End MI=Matching Interior STR=Shaped Top Rail FT=Flush Toe FTRA=Flush Toe with Roman Arch Shape  
 \*Wood shelf upgrade



**DB3D - Desk Base Three Drawers**

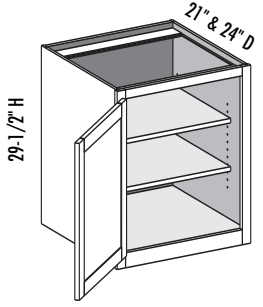


D	DF	DB	EXT	EXP	FL	MI	STR	FT	FTRA
	3	3	✓	✓	✓			STD	

- Craftsman line only
- 2-1/2" high flush toe
- Unfinished interiors only
- Bottom drawer designed to accommodate Pendaflex files

Cabinet Code	Craftsman		Pioneer			Flush End (ea.)	Exposed End (ea.)	Doors		Drawer Fronts	
	3-sided	4-sided	3-sided	4-sided	Shelf*			1/2"	1 1/4"	1/2"	1 1/4"
DB3D1529.5	—	\$191.80	—	—	—	\$6.40	\$2.50	—	—	2.3	2.7
DB3D1829.5	—	200.40	—	—	—	6.40	2.50	—	—	2.8	3.3
DB3D2129.5	—	208.20	—	—	—	6.40	2.50	—	—	3.4	3.8
DB3D2429.5	—	216.10	—	—	—	6.40	2.50	—	—	3.9	4.4

**DBFD - Desk Base Full Door**

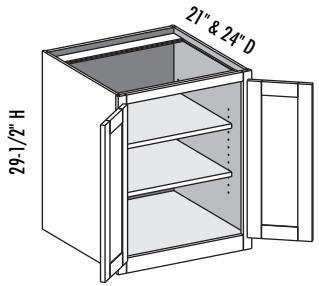


D	DF	DB	EXT	EXP	FL	MI	STR	FT	FTRA
1			✓	✓	✓	✓	✓	STD	

- Craftsman line only
- 2-1/2" high flush toe

Cabinet Code	Craftsman		Pioneer			Flush End (ea.)	Exposed End (ea.)	Doors		Drawer Fronts	
	3-sided	4-sided	3-sided	4-sided	Shelf*			1/2"	1 1/4"	1/2"	1 1/4"
DBFD1229.5	—	\$83.30	—	—	—	\$6.40	\$2.50	1.8	2.2	—	—
DBFD1529.5	—	90.00	—	—	—	6.40	2.50	2.4	2.8	—	—
DBFD1829.5	—	96.60	—	—	—	6.40	2.50	2.9	3.4	—	—
DBFD2129.5	—	103.20	—	—	—	6.40	2.50	3.5	4.0	—	—
DBFD2429.5	—	109.90	—	—	—	6.40	2.50	4.0	4.5	—	—

**DBFD - Desk Base Full Door w/Butt Doors**



D	DF	DB	EXT	EXP	FL	MI	STR	FT	FTRA
2			✓	✓	✓	✓	✓	STD	

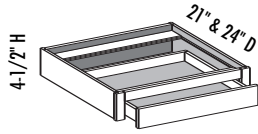
- Craftsman line only
- 2-1/2" high flush toe

Cabinet Code	Craftsman		Pioneer			Flush End (ea.)	Exposed End (ea.)	Doors		Drawer Fronts	
	3-sided	4-sided	3-sided	4-sided	Shelf*			1/2"	1 1/4"	1/2"	1 1/4"
DBFD2429.5BD	—	\$109.90	—	—	—	\$6.40	\$2.50	4.0	4.5	—	—

Options Key: D=Number of Doors DF=Number of Drawer Fronts DB=Drawer Box EXT=Extended Stiles EXP=Exposed End FL=Flush End MI=Matching Interior STR=Shaped Top Rail FT=Flush Toe FTRA=Flush Toe with Roman Arch Shape  
\*Wood shelf upgrade



**DD - Desk Drawer**

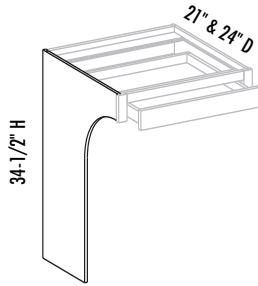


D	DF	DB	EXT	EXP	FL	MI	STR	FT	FTRA
	1	1	✓	✓	✓				

- Craftsman line only
- Unfinished interiors only
- No bottom or bottom rail

Cabinet Code	Craftsman		Pioneer			Flush End (ea.)	Exposed End (ea.)	Doors		Drawer Fronts	
	3-sided	4-sided	3-sided	4-sided	Shelf*			1/2"	1 1/4"	1/2"	1 1/4"
DD184.5	—	\$75.70	—	—	—	\$.50	\$.20	—	—	0.4	0.5
DD214.5	—	78.50	—	—	—	.50	.20	—	—	0.5	0.6
DD244.5	—	81.00	—	—	—	.50	.20	—	—	0.6	0.7
DD274.5	—	83.70	—	—	—	.50	.20	—	—	0.7	0.7
DD304.5	—	86.30	—	—	—	.50	.20	—	—	0.7	0.8
DD334.5	—	88.90	—	—	—	.50	.20	—	—	0.8	0.9
DD364.5	—	92.70	—	—	—	.50	.20	—	—	0.9	1.0

**DDSL (R)- Desk Drawer Support Left (or Right)**

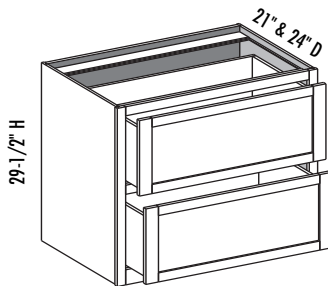


D	DF	DB	EXT	EXP	FL	MI	STR	FT	FTRA
				STD	✓	STD			

- Craftsman line only
- Left shown
- Bottom can be trimmed to custom height
- Support leg only
- Exposed edge is banded with matching specie veneer

Cabinet Code	Craftsman		Pioneer			Flush End (ea.)	Exposed End (ea.)	Doors		Drawer Fronts	
	3-sided	4-sided	3-sided	4-sided	Shelf*			1/2"	1 1/4"	1/2"	1 1/4"
DDSL2134.5	—	\$20.00	—	—	—	\$6.50	STD	—	—	—	—
DDSL2434.5	—	22.20	—	—	—	7.50	STD	—	—	—	—
DDSR2134.5	—	20.00	—	—	—	6.50	STD	—	—	—	—
DDSR2434.5	—	22.20	—	—	—	7.50	STD	—	—	—	—

**LF2D - Lateral File Two Drawer**



D	DF	DB	EXT	EXP	FL	MI	STR	FT	FTRA
	2	2	✓	✓	✓			STD	

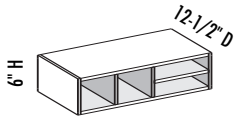
- Craftsman line only
- 2-1/2" high flush toe
- Unfinished interiors only
- 24" deep cabinet has 21" deep interior
- Full extension interlocking drawer slides

Cabinet Code	Craftsman		Pioneer			Flush End (ea.)	Exposed End (ea.)	Doors		Drawer Fronts	
	3-sided	4-sided	3-sided	4-sided	Shelf*			1/2"	1 1/4"	1/2"	1 1/4"
LF2D3029.5	—	\$259.90	—	—	—	\$6.40	\$2.50	—	—	5.1	5.7
LF2D3629.5	—	275.20	—	—	—	\$6.40	\$2.50	—	—	6.1	6.8

Options Key: D=Number of Doors DF=Number of Drawer Fronts DB=Drawer Box EXT=Extended Stiles EXP=Exposed End FL=Flush End MI=Matching Interior STR=Shaped Top Rail FT=Flush Toe FTRA=Flush Toe with Roman Arch Shape  
\*Wood shelf upgrade



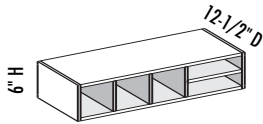
**LFS - Letter File Slot**



D	DF	DB	EXT	EXP	FL	MI	STR	FT	FTRA
				STD		STD			

- Craftsman line only
- 1/2" matching specie doweled plywood construction
- Recessed back design for custom depth modification
- Exposed edges are banded with matching specie veneer

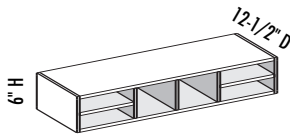
Cabinet Code	Craftsman		Pioneer			Flush End (ea.)	Exposed End (ea.)	Doors		Drawer Fronts	
	3-sided	4-sided	3-sided	4-sided	Shelf*			1/2"	1 1/4"	1/2"	1 1/4"
LFS246	\$55.40	\$55.40	—	—	—	—	—	—	—	—	—
LFS276	57.50	57.50	—	—	—	—	—	—	—	—	—



D	DF	DB	EXT	EXP	FL	MI	STR	FT	FTRA
				STD		STD			

- Craftsman line only
- 1/2" matching specie doweled plywood construction
- Recessed back design for custom depth modification
- Exposed edges are banded with matching specie veneer

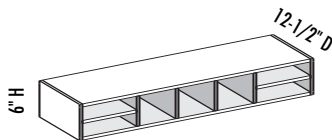
Cabinet Code	Craftsman		Pioneer			Flush End (ea.)	Exposed End (ea.)	Doors		Drawer Fronts	
	3-sided	4-sided	3-sided	4-sided	Shelf*			1/2"	1 1/4"	1/2"	1 1/4"
LFS306	\$64.20	\$64.20	—	—	—	—	—	—	—	—	—



D	DF	DB	EXT	EXP	FL	MI	STR	FT	FTRA
				STD		STD			

- Craftsman line only
- 1/2" matching specie doweled plywood construction
- Recessed back design for custom depth modification
- Exposed edges are banded with matching specie veneer

Cabinet Code	Craftsman		Pioneer			Flush End (ea.)	Exposed End (ea.)	Doors		Drawer Fronts	
	3-sided	4-sided	3-sided	4-sided	Shelf*			1/2"	1 1/4"	1/2"	1 1/4"
LFS336	\$69.50	\$69.50	—	—	—	—	—	—	—	—	—
LFS366	71.60	71.60	—	—	—	—	—	—	—	—	—



D	DF	DB	EXT	EXP	FL	MI	STR	FT	FTRA
				STD		STD			

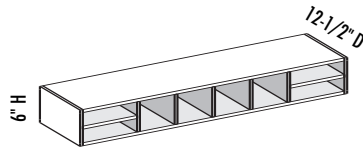
- Craftsman line only
- 1/2" matching specie doweled plywood construction
- Recessed back design for custom depth modification
- Exposed edges are banded with matching specie veneer

Cabinet Code	Craftsman		Pioneer			Flush End (ea.)	Exposed End (ea.)	Doors		Drawer Fronts	
	3-sided	4-sided	3-sided	4-sided	Shelf*			1/2"	1 1/4"	1/2"	1 1/4"
LFS396	\$77.30	\$77.30	—	—	—	—	—	—	—	—	—
LFS426	85.10	85.10	—	—	—	—	—	—	—	—	—

Options Key: D=Number of Doors DF=Number of Drawer Fronts DB=Drawer Box EXT=Extended Stiles EXP=Exposed End FL=Flush End MI=Matching Interior STR=Shaped Top Rail FT=Flush Toe FTRA=Flush Toe with Roman Arch Shape  
 \*Wood shelf upgrade



## LFS - Letter File Slot

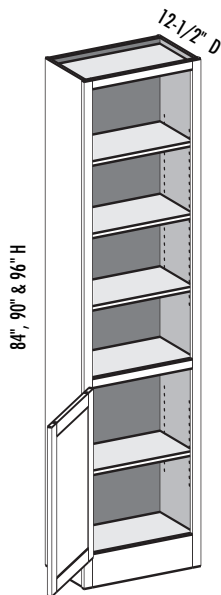


D	DF	DB	EXT	EXP	FL	MI	STR	FT	FTRA
				STD		STD			

- Craftsman line only
- 1/2" matching specie doveled plywood construction
- Recessed back design for custom depth modification
- Exposed edges are banded with matching specie veneer

Cabinet Code	Craftsman		Pioneer			Flush End (ea.)	Exposed End (ea.)	Doors		Drawer Fronts	
	3-sided	4-sided	3-sided	4-sided	Shelf*			1/2"	1 1/4"	1/2"	1 1/4"
LFS456	\$90.70	\$90.70	—	—	—	—	—	—	—	—	—
LFS486	92.80	92.80	—	—	—	—	—	—	—	—	—

## ORC - Other Room Cabinet



D	DF	DB	EXT	EXP	FL	MI	STR	FT	FTRA
1			✓	STD	✓	STD	✓	STD	✓

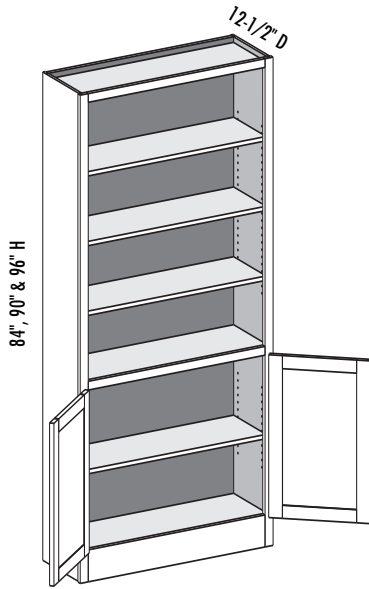
- Craftsman line only
- Doors on top section are optional and must be specified
- Lower section aligns with 34-1/2" high base cabinets

Cabinet Code	Craftsman		Pioneer			Flush End (ea.)	Exposed End (ea.)	Doors		Drawer Fronts	
	3-sided	4-sided	3-sided	4-sided	Shelf*			1/2"	1 1/4"	1/2"	1 1/4"
ORC1584	\$201.30	\$201.30	—	—	—	\$11.20	STD	2.6	2.9	—	—
ORC1884	213.40	213.40	—	—	—	11.20	STD	3.2	3.6	—	—
ORC2184	225.50	225.50	—	—	—	11.20	STD	3.8	4.2	—	—
ORC1590	206.80	206.80	—	—	—	12.00	STD	2.6	2.9	—	—
ORC1890	219.20	219.20	—	—	—	12.00	STD	3.2	3.6	—	—
ORC2190	231.50	231.50	—	—	—	12.00	STD	3.8	4.2	—	—
ORC1596	212.30	212.30	—	—	—	12.80	STD	2.6	2.9	—	—
ORC1896	225.00	225.00	—	—	—	12.80	STD	3.2	3.6	—	—
ORC2196	237.40	237.40	—	—	—	12.80	STD	3.8	4.2	—	—

Options Key: D=Number of Doors DF=Number of Drawer Fronts DB=Drawer Box EXT=Extended Stiles EXP=Exposed End FL=Flush End  
 MI=Matching Interior STR=Shaped Top Rail FT=Flush Toe FTRA=Flush Toe with Roman Arch Shape  
 \*Wood shelf upgrade



## ORC - Other Room Cabinet w/Butt Doors



D	DF	DB	EXT	EXP	FL	MI	STR	FT	FTRA
2			✓	STD	✓	STD	✓	STD	✓

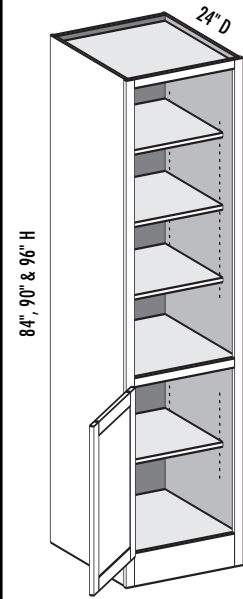
- Craftsman line only
- Doors on top section are optional and must be specified
- Lower section aligns with 34-1/2" high base cabinets

Cabinet Code	Craftsman		Pioneer			Flush End (ea.)	Exposed End (ea.)	Doors		Drawer Fronts	
	3-sided	4-sided	3-sided	4-sided	Shelf*			1/2"	1 1/4"	1/2"	1 1/4"
ORC2484	\$237.70	\$237.70	—	—	—	\$11.20	STD	4.3	4.7	—	—
ORC2784	249.80	249.80	—	—	—	11.20	STD	4.9	5.4	—	—
ORC3084	265.30	265.30	—	—	—	11.20	STD	5.5	6.0	—	—
ORC3384	277.50	277.50	—	—	—	11.20	STD	6.1	6.6	—	—
ORC3684	289.60	289.60	—	—	—	11.20	STD	6.7	7.2	—	—
ORC2490	243.70	243.70	—	—	—	12.00	STD	4.3	4.7	—	—
ORC2790	256.00	256.00	—	—	—	12.00	STD	4.9	5.4	—	—
ORC3090	271.70	271.70	—	—	—	12.00	STD	5.5	6.0	—	—
ORC3390	284.20	284.20	—	—	—	12.00	STD	6.1	6.6	—	—
ORC3690	296.40	296.40	—	—	—	12.00	STD	6.7	7.2	—	—
ORC2496	249.90	249.90	—	—	—	12.80	STD	4.3	4.7	—	—
ORC2796	262.30	262.30	—	—	—	12.80	STD	4.9	5.4	—	—
ORC3096	278.20	278.20	—	—	—	12.80	STD	5.5	6.0	—	—
ORC3396	290.70	290.70	—	—	—	12.80	STD	6.1	6.6	—	—
ORC3696	303.30	303.30	—	—	—	12.80	STD	6.7	7.2	—	—

Options Key: D=Number of Doors DF=Number of Drawer Fronts DB=Drawer Box EXT=Extended Stiles EXP=Exposed End FL=Flush End  
 MI=Matching Interior STR=Shaped Top Rail FT=Flush Toe FTRA=Flush Toe with Roman Arch Shape  
 \*Wood shelf upgrade



## ORCD - Other Room Cabinet Deep



D	DF	DB	EXT	EXP	FL	MI	STR	FT	FTRA
1			✓	STD	✓	STD	✓	STD	✓

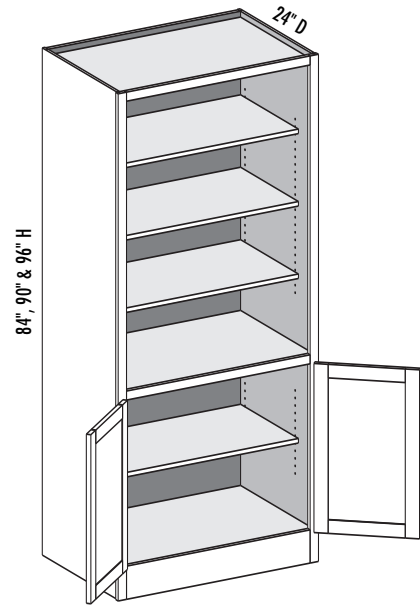
- Craftsman line only
- Doors on top section are optional and must be specified
- Lower section aligns with 34-1/2" high base cabinets

Cabinet Code	Craftsman		Pioneer			Flush End (ea.)	Exposed End (ea.)	Doors		Drawer Fronts	
	3-sided	4-sided	3-sided	4-sided	Shelf*			1/2"	1 1/4"	1/2"	1 1/4"
ORCD1584	\$262.40	\$262.40	—	—	—	\$18.20	STD	2.6	2.9	—	—
ORCD1884	278.20	278.20	—	—	—	18.20	STD	3.2	3.6	—	—
ORCD2184	294.10	294.10	—	—	—	18.20	STD	3.8	4.2	—	—
ORCD1590	270.30	270.30	—	—	—	19.50	STD	2.6	2.9	—	—
ORCD1890	286.30	286.30	—	—	—	19.50	STD	3.2	3.6	—	—
ORCD2190	302.40	302.40	—	—	—	19.50	STD	3.8	4.2	—	—
ORCD1596	278.30	278.30	—	—	—	20.80	STD	2.6	2.9	—	—
ORCD1896	294.40	294.40	—	—	—	20.80	STD	3.2	3.6	—	—
ORCD2196	310.70	310.70	—	—	—	20.80	STD	3.8	4.2	—	—

**Options Key:** D=Number of Doors DF=Number of Drawer Fronts DB=Drawer Box EXT=Extended Stiles EXP=Exposed End FL=Flush End  
 MI=Matching Interior STR=Shaped Top Rail FT=Flush Toe FTRA=Flush Toe with Roman Arch Shape  
 \*Wood shelf upgrade



## ORCD - Other Room Cabinet Deep w/Butt Doors



D	DF	DB	EXT	EXP	FL	MI	STR	FT	FTRA
2			✓	STD	✓	STD	✓	STD	✓

- Craftsman line only
- Doors on top section are optional and must be specified
- Lower section aligns with 34-1/2" high base cabinets

Cabinet Code	Craftsman		Pioneer			Flush End (ea.)	Exposed End (ea.)	Doors		Drawer Fronts	
	3-sided	4-sided	3-sided	4-sided	Shelf*			1/2"	1 1/4"	1/2"	1 1/4"
ORCD2484	\$310.00	\$310.00	—	—	—	\$18.20	STD	4.3	4.7	—	—
ORCD2784	325.90	325.90	—	—	—	18.20	STD	4.9	5.4	—	—
ORCD3084	348.70	348.70	—	—	—	18.20	STD	5.5	6.0	—	—
ORCD3384	364.50	364.50	—	—	—	18.20	STD	6.1	6.6	—	—
ORCD3684	380.50	380.50	—	—	—	18.20	STD	6.7	7.2	—	—
ORCD2490	318.40	318.40	—	—	—	19.50	STD	4.3	4.7	—	—
ORCD2790	334.50	334.50	—	—	—	19.50	STD	4.9	5.4	—	—
ORCD3090	357.40	357.40	—	—	—	19.50	STD	5.5	6.0	—	—
ORCD3390	373.50	373.50	—	—	—	19.50	STD	6.1	6.6	—	—
ORCD3690	389.50	389.50	—	—	—	19.50	STD	6.7	7.2	—	—
ORCD2496	327.00	327.00	—	—	—	20.80	STD	4.3	4.7	—	—
ORCD2796	343.20	343.20	—	—	—	20.80	STD	4.9	5.4	—	—
ORCD3096	366.30	366.30	—	—	—	20.80	STD	5.5	6.0	—	—
ORCD3396	382.40	382.40	—	—	—	20.80	STD	6.1	6.6	—	—
ORCD3696	398.80	398.80	—	—	—	20.80	STD	6.7	7.2	—	—

HOME OFFICE CABINETS

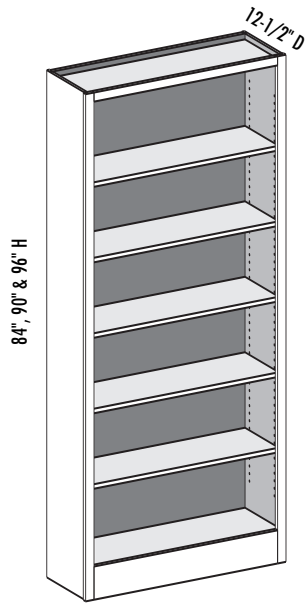
Cabinet Systems

Options Key: D=Number of Doors DF=Number of Drawer Fronts DB=Drawer Box EXT=Extended Stiles EXP=Exposed End FL=Flush End  
 MI=Matching Interior STR=Shaped Top Rail FT=Flush Toe FTRA=Flush Toe with Roman Arch Shape  
 \*Wood shelf upgrade





## ORS - Other Room Shelf



D	DF	DB	EXT	EXP	FL	MI	STR	FT	FTRA
			✓	STD	✓	STD	✓	STD	✓

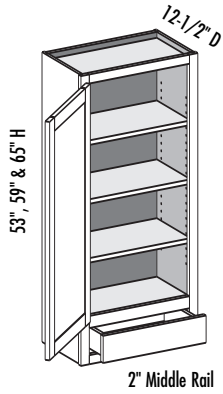
• Craftsman line only

Cabinet Code	Craftsman		Pioneer			Flush End (ea.)	Exposed End (ea.)	Doors		Drawer Fronts	
	3-sided	4-sided	3-sided	4-sided	Shelf*			1/2"	1 1/4"	1/2"	1 1/4"
ORS1584	\$195.90	195.90	—	—	—	11.20	STD	—	—	—	—
ORS1884	208.20	208.20	—	—	—	11.20	STD	—	—	—	—
ORS2184	220.40	220.40	—	—	—	11.20	STD	—	—	—	—
ORS2484	232.60	232.60	—	—	—	11.20	STD	—	—	—	—
ORS2784	248.30	248.30	—	—	—	11.20	STD	—	—	—	—
ORS3084	260.50	260.50	—	—	—	11.20	STD	—	—	—	—
ORS3384	272.80	272.80	—	—	—	11.20	STD	—	—	—	—
ORS3684	283.80	283.80	—	—	—	11.20	STD	—	—	—	—
ORS1590	201.60	201.60	—	—	—	12.00	STD	—	—	—	—
ORS1890	214.00	214.00	—	—	—	12.00	STD	—	—	—	—
ORS2190	226.40	226.40	—	—	—	12.00	STD	—	—	—	—
ORS2490	238.60	238.60	—	—	—	12.00	STD	—	—	—	—
ORS2790	254.60	254.60	—	—	—	12.00	STD	—	—	—	—
ORS3090	267.00	267.00	—	—	—	12.00	STD	—	—	—	—
ORS3390	279.40	279.40	—	—	—	12.00	STD	—	—	—	—
ORS3690	291.80	291.80	—	—	—	12.00	STD	—	—	—	—
ORS1596	207.10	207.10	—	—	—	12.80	STD	—	—	—	—
ORS1896	219.70	219.70	—	—	—	12.80	STD	—	—	—	—
ORS2196	232.30	232.30	—	—	—	12.80	STD	—	—	—	—
ORS2496	244.90	244.90	—	—	—	12.80	STD	—	—	—	—
ORS2796	260.80	260.80	—	—	—	12.80	STD	—	—	—	—
ORS3096	273.50	273.50	—	—	—	12.80	STD	—	—	—	—
ORS3396	286.10	286.10	—	—	—	12.80	STD	—	—	—	—
ORS3696	298.60	298.60	—	—	—	12.80	STD	—	—	—	—

Options Key: D=Number of Doors DF=Number of Drawer Fronts DB=Drawer Box EXT=Extended Stiles EXP=Exposed End FL=Flush End  
 MI=Matching Interior STR=Shaped Top Rail FT=Flush Toe FTRA=Flush Toe with Roman Arch Shape  
 \*Wood shelf upgrade



**W1D - Wall 1 Drawer**

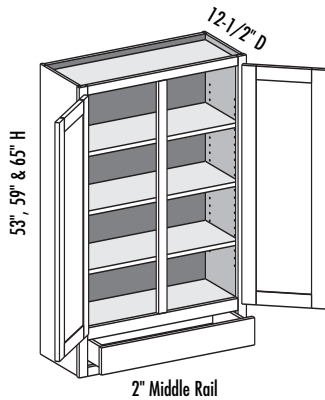


D	DF	DB	EXT	EXP	FL	MI	STR	FT	FTRA
1	1	1	✓	STD	✓	✓	✓		

• 65" high unit has four shelves

Cabinet Code	Craftsman		Pioneer			Flush End (ea.)	Exposed End (ea.)	Doors		Drawer Fronts	
	3-sided	4-sided	3-sided	4-sided	Shelf*			1/2"	1 1/4"	1/2"	1 1/4"
W1D1553	\$123.20	\$134.10	\$91.90	\$102.80	\$5.10	\$5.80	STD	4.1	4.7	0.5	0.5
W1D1853	132.10	143.70	96.80	108.40	7.30	5.80	STD	5.0	5.7	0.6	0.6
W1D2153	141.20	153.40	101.70	113.90	9.50	5.80	STD	5.9	6.6	0.7	0.7
W1D2453	150.10	162.90	106.50	119.30	11.60	5.80	STD	6.9	7.6	0.8	0.9
W1D1559	128.30	139.20	95.00	105.90	5.10	6.50	STD	4.6	5.3	0.5	0.5
W1D1859	137.50	149.10	100.20	111.80	7.30	6.50	STD	5.7	6.4	0.6	0.6
W1D2159	146.80	159.00	105.20	117.40	9.50	6.50	STD	6.7	7.5	0.7	0.7
W1D2459	156.10	168.90	110.40	123.20	11.60	6.50	STD	7.8	8.6	0.8	0.9
W1D1565	138.30	149.20	101.00	111.90	6.90	7.20	STD	5.1	5.9	0.5	0.5
W1D1865	149.10	160.70	106.70	118.30	9.70	7.20	STD	6.3	7.1	0.6	0.6
W1D2165	159.60	171.80	112.20	124.40	12.60	7.20	STD	7.5	8.3	0.7	0.7
W1D2465	170.30	183.10	117.90	130.70	15.40	7.20	STD	8.7	9.5	0.8	0.9

**W1D - Wall 1 Drawer**



D	DF	DB	EXT	EXP	FL	MI	STR	FT	FTRA
2	1	1	✓	STD	✓	✓			

• 65" high unit has four shelves

Cabinet Code	Craftsman		Pioneer			Flush End (ea.)	Exposed End (ea.)	Doors		Drawer Fronts	
	3-sided	4-sided	3-sided	4-sided	Shelf*			1/2"	1 1/4"	1/2"	1 1/4"
W1D2753	\$163.60	\$177.10	\$115.90	\$129.40	\$13.70	\$5.80	STD	7.7	8.4	0.9	1.0
W1D3053	172.60	186.70	120.90	135.00	15.80	5.80	STD	8.6	9.4	1.0	1.1
W1D3353	181.40	196.10	125.70	140.40	17.90	5.80	STD	9.5	10.3	1.1	1.2
W1D3653	190.50	205.90	130.70	146.10	20.00	5.80	STD	10.5	11.3	1.2	1.3
W1D2759	170.30	183.80	120.40	133.90	13.70	6.50	STD	8.7	9.5	0.9	1.0
W1D3059	179.60	193.70	125.70	139.80	15.80	6.50	STD	9.7	10.6	1.0	1.1

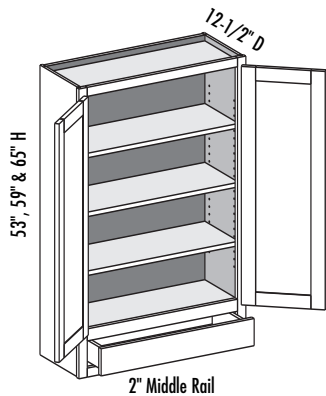
Options Key: D=Number of Doors DF=Number of Drawer Fronts DB=Drawer Box EXT=Extended Stiles EXP=Exposed End FL=Flush End MI=Matching Interior STR=Shaped Top Rail FT=Flush Toe FTRA=Flush Toe with Roman Arch Shape  
\*Wood shelf upgrade



### W1D - Wall 1 Drawer - continued

Cabinet Code	Craftsman		Pioneer			Flush End (ea.)	Exposed End (ea.)	Doors		Drawer Fronts	
	3-sided	4-sided	3-sided	4-sided	Shelf*			1/2"	1 1/4"	1/2"	1 1/4"
W1D3359	188.80	203.50	130.80	145.50	17.90	6.50	STD	10.8	11.7	1.1	1.2
W1D3659	198.20	213.60	136.00	151.40	20.00	6.50	STD	11.9	12.8	1.2	1.3
W1D2765	186.10	199.60	128.80	142.30	18.30	7.20	STD	9.7	10.6	0.9	1.0
W1D3065	196.70	210.80	134.50	148.60	21.00	7.20	STD	10.9	11.8	1.0	1.1
W1D3365	207.20	221.90	140.10	154.80	23.80	7.20	STD	12.1	13.0	1.1	1.2
W1D3665	217.90	233.30	145.70	161.10	26.70	7.20	STD	13.3	14.2	1.2	1.3

### W1D - Wall 1 Drawer w/Butt Doors



D	DF	DB	EXT	EXP	FL	MI	STR	FT	FTRA
2	1	1	✓	STD	✓	✓	✓		

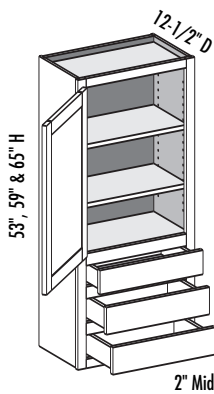
- 65" high unit has four shelves

Cabinet Code	Craftsman		Pioneer			Flush End (ea.)	Exposed End (ea.)	Doors		Drawer Fronts	
	3-sided	4-sided	3-sided	4-sided	Shelf*			1/2"	1 1/4"	1/2"	1 1/4"
W1D2453BD	\$150.10	\$162.90	\$106.50	\$119.30	\$11.60	\$5.80	STD	6.8	7.5	0.8	0.9
W1D2753BD	159.20	172.70	111.50	125.00	13.70	5.80	STD	7.8	8.5	0.9	1.0
W1D3053BD	168.10	182.20	116.40	130.50	15.80	5.80	STD	8.7	9.5	1.0	1.1
W1D3353BD	177.00	191.70	121.30	136.00	17.90	5.80	STD	9.6	10.5	1.1	1.2
W1D3653BD	186.00	201.40	126.20	141.60	20.00	5.80	STD	10.6	11.4	1.2	1.3
W1D2459BD	156.10	168.90	110.40	123.20	11.60	6.50	STD	7.7	8.5	0.8	0.9
W1D2759BD	165.40	178.90	115.50	129.00	13.70	6.50	STD	8.8	9.6	0.9	1.0
W1D3059BD	174.70	188.80	120.80	134.90	15.80	6.50	STD	9.9	10.7	1.0	1.1
W1D3359BD	183.90	198.60	125.90	140.60	17.90	6.50	STD	10.9	11.8	1.1	1.2
W1D3659BD	193.30	208.70	131.10	146.50	20.00	6.50	STD	12.0	12.9	1.2	1.3
W1D2465BD	170.30	183.10	117.90	130.70	15.40	7.20	STD	8.7	9.5	0.8	0.9
W1D2765BD	180.80	194.30	123.50	137.00	18.30	7.20	STD	9.8	10.7	0.9	1.0
W1D3065BD	191.40	205.50	129.20	143.30	21.00	7.20	STD	11.0	11.9	1.0	1.1
W1D3365BD	202.00	216.70	134.90	149.60	23.80	7.20	STD	12.2	13.2	1.1	1.2
W1D3665BD	212.60	228.00	140.40	155.80	26.70	7.20	STD	13.4	14.4	1.2	1.3

Options Key: D=Number of Doors DF=Number of Drawer Fronts DB=Drawer Box EXT=Extended Stiles EXP=Exposed End FL=Flush End  
 MI=Matching Interior STR=Shaped Top Rail FT=Flush Toe FTRA=Flush Toe with Roman Arch Shape  
 \*Wood shelf upgrade



### W3D - Wall 3 Drawer

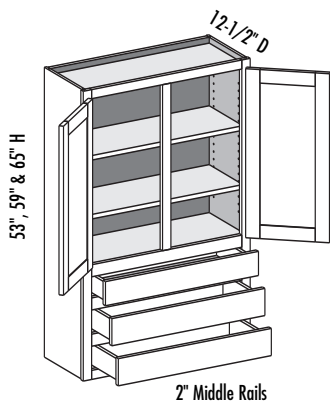


D	DF	DB	EXT	EXP	FL	MI	STR	FT	FTRA
1	3	3	✓	STD	✓	✓	✓		

• 65" high unit has three shelves

Cabinet Code	Craftsman		Pioneer			Flush End (ea.)	Exposed End (ea.)	Doors		Drawer Fronts	
	3-sided	4-sided	3-sided	4-sided	Shelf*			1/2"	1 1/4"	1/2"	1 1/4"
W3D1553	\$145.60	\$177.10	\$116.90	\$148.40	\$3.40	\$5.80	STD	3.0	3.5	1.4	1.6
W3D1853	154.20	187.50	122.30	155.60	4.90	5.80	STD	3.7	4.2	1.7	2.0
W3D2153	162.90	197.80	127.80	162.70	6.20	5.80	STD	4.4	4.9	2.0	2.3
W3D2453	171.40	208.00	133.10	169.70	7.70	5.80	STD	5.0	5.6	2.3	2.7
W3D1559	150.60	182.10	120.00	151.50	3.40	6.50	STD	3.5	4.1	1.4	1.6
W3D1859	159.40	192.70	125.50	158.80	4.90	6.50	STD	4.3	4.9	1.7	2.0
W3D2159	168.60	203.50	131.40	166.30	6.20	6.50	STD	5.1	5.8	2.0	2.3
W3D2459	177.50	214.10	137.00	173.60	7.70	6.50	STD	6.0	6.6	2.3	2.7
W3D1565	160.70	192.20	125.90	157.40	5.10	7.20	STD	4.1	4.7	1.4	1.6
W3D1865	170.90	204.20	132.10	165.40	7.30	7.20	STD	5.0	5.7	1.7	2.0
W3D2165	181.30	216.20	138.30	173.20	9.50	7.20	STD	5.9	6.6	2.0	2.3
W3D2465	191.60	228.20	144.50	181.10	11.60	7.20	STD	6.9	7.6	2.3	2.7

### W3D - Wall 3 Drawer



D	DF	DB	EXT	EXP	FL	MI	STR	FT	FTRA
2	3	3	✓	STD	✓	✓			

• 65" high unit has three shelves

Cabinet Code	Craftsman		Pioneer			Flush End (ea.)	Exposed End (ea.)	Doors		Drawer Fronts	
	3-sided	4-sided	3-sided	4-sided	Shelf*			1/2"	1 1/4"	1/2"	1 1/4"
W3D2753	\$186.10	\$224.40	\$144.70	\$183.00	\$9.10	\$5.80	STD	5.6	6.2	2.6	3.0
W3D3053	194.60	234.70	150.00	190.10	10.60	5.80	STD	6.3	6.9	2.9	3.3
W3D3353	203.30	245.10	155.40	197.20	11.90	5.80	STD	7.0	7.7	3.2	3.7
W3D3653	211.90	255.40	160.80	204.30	13.40	5.80	STD	7.7	8.4	3.5	4.0
W3D2759	192.80	231.10	149.10	187.40	9.10	6.50	STD	6.6	3.7	2.6	3.0
W3D3059	201.70	241.80	154.80	194.90	10.60	6.50	STD	7.4	4.1	2.9	3.3

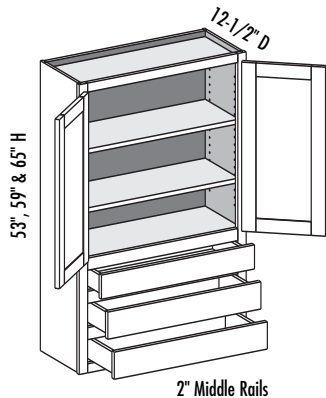
Options Key: D=Number of Doors DF=Number of Drawer Fronts DB=Drawer Box EXT=Extended Stiles EXP=Exposed End FL=Flush End MI=Matching Interior STR=Shaped Top Rail FT=Flush Toe FTRA=Flush Toe with Roman Arch Shape  
\*Wood shelf upgrade



### W3D - Wall 3 Drawer - continued

Cabinet Code	Craftsman		Pioneer			Flush End (ea.)	Exposed End (ea.)	Doors		Drawer Fronts	
	3-sided	4-sided	3-sided	4-sided	Shelf*			1/2"	1/4"	1/2"	1/4"
W3D3359	210.70	252.50	160.50	202.30	11.90	6.50	STD	8.3	4.5	3.2	3.7
W3D3659	219.60	263.10	166.10	209.60	13.40	6.50	STD	9.1	4.9	3.5	4.0
W3D2765	208.70	247.00	157.50	195.80	13.70	7.20	STD	7.7	8.4	2.6	3.0
W3D3065	218.90	259.00	163.70	203.80	15.80	7.20	STD	8.6	9.4	2.9	3.3
W3D3365	229.10	270.90	169.90	211.70	17.90	7.20	STD	9.5	10.3	3.2	3.7
W3D3665	239.40	282.90	176.10	219.60	20.00	7.20	STD	10.5	11.3	3.5	4.0

### W3D - Wall 3 Drawer w/Butt Doors



D	DF	DB	EXT	EXP	FL	MI	STR	FT	FTRA
2	3	3	✓	STD	✓	✓	✓		

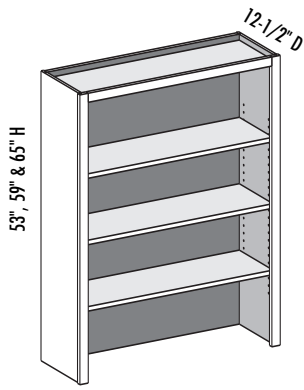
- 65" high unit has three shelves

Cabinet Code	Craftsman		Pioneer			Flush End (ea.)	Exposed End (ea.)	Doors		Drawer Fronts	
	3-sided	4-sided	3-sided	4-sided	Shelf*			1/2"	1/4"	1/2"	1/4"
W3D2453BD	\$171.40	\$208.00	\$133.10	\$169.70	\$7.70	\$5.80	STD	5.0	5.6	2.3	2.7
W3D2753BD	180.00	218.30	138.60	176.90	9.10	5.80	STD	5.7	6.3	2.6	3.0
W3D3053BD	188.60	228.70	144.00	184.10	10.60	5.80	STD	6.4	7.0	2.9	3.3
W3D3353BD	197.30	239.10	149.40	191.20	11.90	5.80	STD	7.1	7.8	3.2	3.7
W3D3653BD	205.80	249.30	154.70	198.20	13.40	5.80	STD	7.8	8.5	3.5	4.0
W3D2459BD	177.50	214.10	137.00	173.60	7.70	6.50	STD	5.9	6.6	2.3	2.7
W3D2759BD	186.40	224.70	142.70	181.00	9.10	6.50	STD	6.7	7.4	2.6	3.0
W3D3059BD	195.30	235.40	148.40	188.50	10.60	6.50	STD	7.5	8.3	2.9	3.3
W3D3359BD	204.20	246.00	154.00	195.80	11.90	6.50	STD	8.4	9.1	3.2	3.7
W3D3659BD	213.10	256.60	159.60	203.10	13.40	6.50	STD	9.2	9.9	3.5	4.0
W3D2465BD	191.60	228.20	144.50	181.10	11.60	7.20	STD	6.8	7.5	2.3	2.7
W3D2765BD	201.80	240.10	150.60	188.90	13.70	7.20	STD	7.8	8.5	2.6	3.0
W3D3065BD	212.00	252.10	156.80	196.90	15.80	7.20	STD	8.7	9.5	2.9	3.3
W3D3365BD	222.20	264.00	163.00	204.80	17.90	7.20	STD	9.6	10.5	3.2	3.7
W3D3665BD	232.50	276.00	169.20	212.70	20.00	7.20	STD	10.6	11.4	3.5	4.0

Options Key: D=Number of Doors DF=Number of Drawer Fronts DB=Drawer Box EXT=Extended Stiles EXP=Exposed End FL=Flush End  
 MI=Matching Interior STR=Shaped Top Rail FT=Flush Toe FTRA=Flush Toe with Roman Arch Shape  
 \*Wood shelf upgrade



# WOBS - Wall Open Bookshelf



D	DF	DB	EXT	EXP	FL	MI	STR	FT	FTRA
			✓	STD	✓	STD	✓		

- Craftsman line only
- 65" high unit has four shelves

Cabinet Code	Craftsman		Pioneer			Flush End (ea.)	Exposed End (ea.)	Doors		Drawer Fronts	
	3-sided	4-sided	3-sided	4-sided	Shelf*			1/2"	1 1/4"	1/2"	1 1/4"
WOBS1553	\$113.70	\$113.70	—	—	—	\$7.10	STD	—	—	—	—
WOBS1853	121.20	121.20	—	—	—	7.10	STD	—	—	—	—
WOBS2153	128.70	128.70	—	—	—	7.10	STD	—	—	—	—
WOBS2453	136.20	136.20	—	—	—	7.10	STD	—	—	—	—
WOBS2753	143.70	143.70	—	—	—	7.10	STD	—	—	—	—
WOBS3053	151.20	151.20	—	—	—	7.10	STD	—	—	—	—
WOBS3353	158.80	158.80	—	—	—	7.10	STD	—	—	—	—
WOBS3653	166.20	166.20	—	—	—	7.10	STD	—	—	—	—
WOBS1559	119.10	119.10	—	—	—	7.90	STD	—	—	—	—
WOBS1859	126.80	126.80	—	—	—	7.90	STD	—	—	—	—
WOBS2159	134.50	134.50	—	—	—	7.90	STD	—	—	—	—
WOBS2459	142.20	142.20	—	—	—	7.90	STD	—	—	—	—
WOBS2759	149.80	149.80	—	—	—	7.90	STD	—	—	—	—
WOBS3059	157.50	157.50	—	—	—	7.90	STD	—	—	—	—
WOBS3359	165.20	165.20	—	—	—	7.90	STD	—	—	—	—
WOBS3659	172.90	172.90	—	—	—	7.90	STD	—	—	—	—
WOBS1565	132.90	132.90	—	—	—	8.70	STD	—	—	—	—
WOBS1865	142.20	142.20	—	—	—	8.70	STD	—	—	—	—
WOBS2165	151.40	151.40	—	—	—	8.70	STD	—	—	—	—
WOBS2465	160.60	160.60	—	—	—	8.70	STD	—	—	—	—
WOBS2765	169.90	169.90	—	—	—	8.70	STD	—	—	—	—
WOBS3065	179.00	179.00	—	—	—	8.70	STD	—	—	—	—
WOBS3365	188.40	188.40	—	—	—	8.70	STD	—	—	—	—
WOBS3665	197.50	197.50	—	—	—	8.70	STD	—	—	—	—

HOME OFFICE CABINETS

Cabinet Systems

Options Key: D=Number of Doors DF=Number of Drawer Fronts DB=Drawer Box EXT=Extended Stiles EXP=Exposed End FL=Flush End  
 MI=Matching Interior STR=Shaped Top Rail FT=Flush Toe FTRA=Flush Toe with Roman Arch Shape  
 \*Wood shelf upgrade