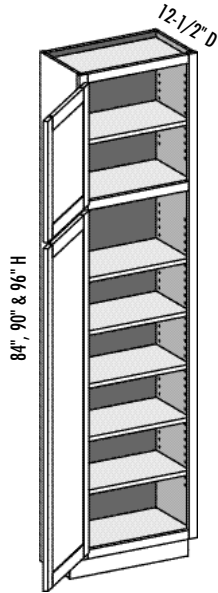




UC - Utility Cabinet



D	DF	DB	EXT	EXP	FL	MI	STR	FT	FTRA
2			✓	✓	✓	✓	✓	✓	✓

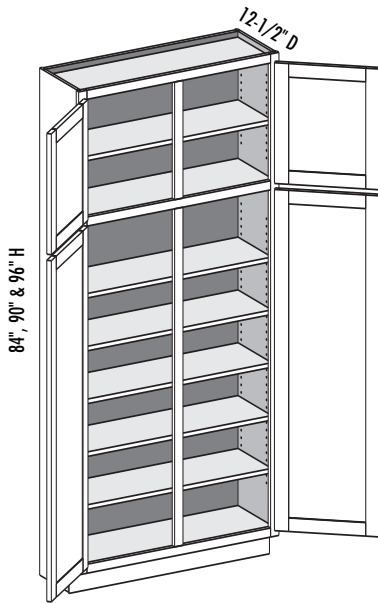
- 84" and 90" units have six shelves
- 96" units have separate 4" toe platform and have seven shelves

Cabinet Code	Craftsman		Pioneer			Flush End (ea.)	Exposed End (ea.)	Doors		Drawer Fronts	
	3-sided	4-sided	3-sided	4-sided	Shelf*			1/2"	1 1/4"	1/2"	1 1/4"
UC1584	\$158.90	\$158.90	\$111.90	\$111.90	\$10.30	\$9.30	\$3.60	7.0	8.0	—	—
UC1884	170.20	170.20	116.80	116.80	14.60	9.30	3.60	8.6	9.6	—	—
UC2184	181.50	181.50	121.60	121.60	18.80	9.30	3.60	10.2	11.2	—	—
UC2484	192.70	192.70	126.50	126.50	23.10	9.30	3.60	11.8	12.9	—	—
UC1590	163.20	163.20	114.30	114.30	10.30	9.90	3.90	7.5	8.6	—	—
UC1890	174.70	174.70	119.30	119.30	14.60	9.90	3.90	9.3	10.3	—	—
UC2190	186.00	186.00	124.30	124.30	18.80	9.90	3.90	11.0	12.1	—	—
UC2490	197.40	197.40	129.30	129.30	23.10	9.90	3.90	12.8	13.9	—	—
UC1596	184.20	184.20	131.40	131.40	12.00	10.10	4.00	8.1	9.2	—	—
UC1896	197.20	197.20	137.00	137.00	17.00	10.10	4.00	9.9	11.1	—	—
UC2196	210.20	210.20	142.80	142.80	21.90	10.10	4.00	11.8	13.0	—	—
UC2496	223.10	223.10	148.50	148.50	26.90	10.10	4.00	13.7	14.9	—	—

Options Key: D=Number of Doors DF=Number of Drawer Fronts DB=Drawer Box EXT=Extended Stiles EXP=Exposed End FL=Flush End
 MI=Matching Interior STR=Shaped Top Rail FT=Flush Toe FTRA=Flush Toe with Roman Arch Shape
 *Wood shelf upgrade



UC - Utility Cabinet



D	DF	DB	EXT	EXP	FL	MI	STR	FT	FTRA
4			✓	✓	✓	✓		✓	✓

- 84" and 90" units have six shelves
- 96" units have separate 4" toe platform and have seven shelves

Cabinet Code	Craftsman		Pioneer			Flush End (ea.)	Exposed End (ea.)	Doors		Drawer Fronts	
	3-sided	4-sided	3-sided	4-sided	Shelf*			1/2"	1 1/4"	1/2"	1 1/4"
UC2784	\$212.40	\$212.40	\$139.90	\$139.90	\$27.30	\$9.30	\$3.60	13.2	14.3	—	—
UC3084	226.70	226.70	147.80	147.80	31.60	9.30	3.60	14.8	15.9	—	—
UC3384	238.00	238.00	152.60	152.60	35.90	9.30	3.60	16.4	17.6	—	—
UC3684	249.30	249.30	157.50	157.50	40.10	9.30	3.60	18.0	19.2	—	—
UC2790	217.80	217.80	143.30	143.30	27.30	9.90	3.90	14.2	15.3	—	—
UC3090	232.20	232.20	151.30	151.30	31.60	9.90	3.90	15.9	17.1	—	—
UC3390	243.60	243.60	156.30	156.30	35.90	9.90	3.90	17.7	18.9	—	—
UC3690	255.00	255.00	161.20	161.20	40.10	9.90	3.90	19.4	20.7	—	—
UC2796	245.50	245.50	163.60	163.60	31.90	10.10	4.00	15.2	16.4	—	—
UC3096	261.40	261.40	172.20	172.20	36.90	10.10	4.00	17.1	18.3	—	—
UC3396	274.50	274.50	178.00	178.00	41.80	10.10	4.00	19.0	20.2	—	—
UC3696	287.40	287.40	183.70	183.70	46.80	10.10	4.00	20.8	22.1	—	—

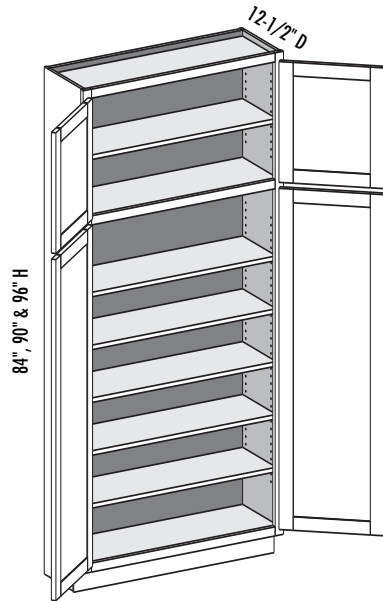
TALL CABINETS

Cabinet Systems

Options Key: D=Number of Doors DF=Number of Drawer Fronts DB=Drawer Box EXT=Extended Stiles EXP=Exposed End FL=Flush End
 MI=Matching Interior STR=Shaped Top Rail FT=Flush Toe FTRA=Flush Toe with Roman Arch Shape
 *Wood shelf upgrade



UC - Utility Cabinet w/Butt Doors



D	DF	DB	EXT	EXP	FL	MI	STR	FT	FTRA
4			✓	✓	✓	✓	✓	✓	✓

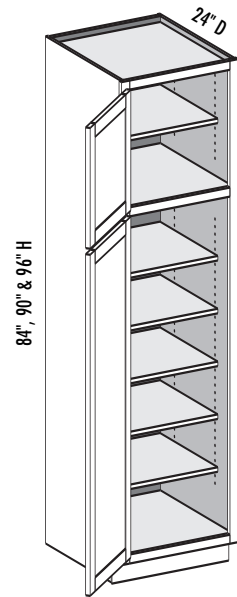
- 84" and 90" units have six shelves
- 96" units have separate 4" toe platform and have seven shelves

Cabinet Code	Craftsman		Pioneer			Flush End (ea.)	Exposed End (ea.)	Doors		Drawer Fronts	
	3-sided	4-sided	3-sided	4-sided	Shelf*			1/2"	1 1/4"	1/2"	1 1/4"
UC2484BD	\$192.70	\$192.70	\$126.50	\$126.50	\$23.10	\$9.30	\$3.60	11.8	12.8	—	—
UC2784BD	203.90	203.90	131.40	131.40	27.30	9.30	3.60	13.4	14.5	—	—
UC3084BD	218.10	218.10	139.20	139.20	31.60	9.30	3.60	15.0	16.1	—	—
UC3384BD	229.50	229.50	144.10	144.10	35.90	9.30	3.60	16.6	17.8	—	—
UC3684BD	240.70	240.70	148.90	148.90	40.10	9.30	3.60	18.2	19.4	—	—
UC2490BD	197.40	197.40	129.30	129.30	23.10	9.90	3.90	12.7	13.8	—	—
UC2790BD	208.80	208.80	134.30	134.30	27.30	9.90	3.90	14.4	15.6	—	—
UC3090BD	223.30	223.30	142.40	142.40	31.60	9.90	3.90	16.2	17.3	—	—
UC3390BD	234.60	234.60	147.30	147.30	35.90	9.90	3.90	17.9	19.1	—	—
UC3690BD	246.10	246.10	152.30	152.30	40.10	9.90	3.90	19.6	20.9	—	—
UC2496BD	223.10	223.10	148.50	148.50	26.90	10.10	4.00	13.6	14.8	—	—
UC2796BD	236.10	236.10	154.20	154.20	31.90	10.10	4.00	15.5	16.7	—	—
UC3096BD	252.00	252.00	162.80	162.80	36.90	10.10	4.00	17.3	18.6	—	—
UC3396BD	265.10	265.10	168.60	168.60	41.80	10.10	4.00	19.2	20.5	—	—
UC3696BD	278.00	278.00	174.30	174.30	46.80	10.10	4.00	21.1	22.4	—	—

Options Key: D=Number of Doors DF=Number of Drawer Fronts DB=Drawer Box EXT=Extended Stiles EXP=Exposed End FL=Flush End
 MI=Matching Interior STR=Shaped Top Rail FT=Flush Toe FTRA=Flush Toe with Roman Arch Shape
 *Wood shelf upgrade



UCD - Utility Cabinet Deep



D	DF	DB	EXT	EXP	FL	MI	STR	FT	FTRA
2			✓	✓	✓	✓	✓	✓	✓

- 84" and 90" units have six shelves
- 96" units have separate 4" toe platform and have seven shelves

Cabinet Code	Craftsman		Pioneer			Flush End (ea.)	Exposed End (ea.)	Doors		Drawer Fronts	
	3-sided	4-sided	3-sided	4-sided	Shelf*			1/2"	1 1/4"	1/2"	1 1/4"
UCD1584	\$229.30	\$229.30	\$137.80	\$137.80	\$23.80	\$18.20	\$7.10	7.0	8.0	—	—
UCD1884	246.80	246.80	144.20	144.20	31.10	18.20	7.10	8.6	9.6	—	—
UCD2184	266.60	266.60	153.10	153.10	38.30	18.20	7.10	10.2	11.2	—	—
UCD2484	284.30	284.30	159.50	159.50	45.60	18.20	7.10	11.8	12.9	—	—
UCD1590	236.00	236.00	141.00	141.00	23.80	19.50	7.60	7.5	8.6	—	—
UCD1890	253.70	253.70	147.50	147.50	31.10	19.50	7.60	9.3	10.3	—	—
UCD2190	273.70	273.70	156.50	156.50	38.30	19.50	7.60	11.0	12.1	—	—
UCD2490	291.40	291.40	163.10	163.10	45.60	19.50	7.60	12.8	13.9	—	—
UCD1596	265.50	265.50	163.00	163.00	27.80	20.00	7.80	8.1	9.2	—	—
UCD1896	285.40	285.40	170.40	170.40	36.20	20.00	7.80	9.9	11.1	—	—
UCD2196	307.70	307.70	180.30	180.30	44.70	20.00	7.80	11.8	13.0	—	—
UCD2496	327.60	327.60	187.60	187.60	53.30	20.00	7.80	13.7	14.9	—	—

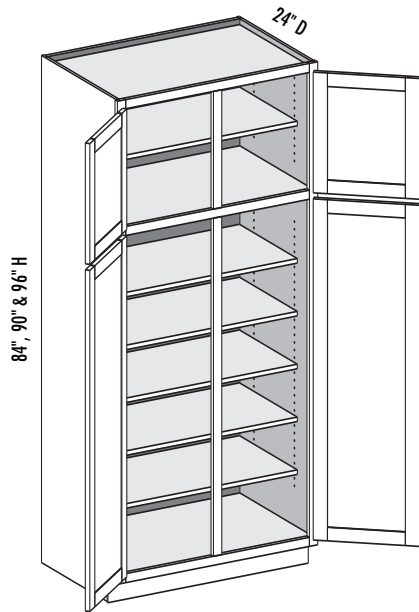
TALL CABINETS

Cabinet Systems

Options Key: D=Number of Doors DF=Number of Drawer Fronts DB=Drawer Box EXT=Extended Stiles EXP=Exposed End FL=Flush End
 MI=Matching Interior STR=Shaped Top Rail FT=Flush Toe FTRA=Flush Toe with Roman Arch Shape
 *Wood shelf upgrade



UCD - Utility Cabinet Deep



D	DF	DB	EXT	EXP	FL	MI	STR	FT	FTRA
4			✓	✓	✓	✓		✓	✓

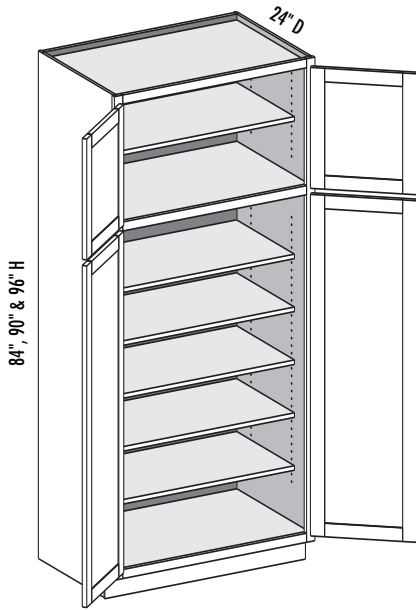
- 84" and 90" units have six shelves
- 96" units have separate 4" toe platform and have seven shelves

Cabinet Code	Craftsman		Pioneer			Flush End (ea.)	Exposed End (ea.)	Doors		Drawer Fronts	
	3-sided	4-sided	3-sided	4-sided	Shelf*			1/2"	1 1/4"	1/2"	1 1/4"
UCD2784	\$310.20	\$310.20	\$174.40	\$174.40	\$53.00	\$18.20	\$7.10	13.2	14.3	—	—
UCD3084	333.70	333.70	186.90	186.90	60.20	18.20	7.10	14.8	15.9	—	—
UCD3384	351.10	351.10	193.20	193.20	67.50	18.20	7.10	16.4	17.6	—	—
UCD3684	368.70	368.70	199.70	199.70	74.80	18.20	7.10	18.0	19.2	—	—
UCD2790	318.00	318.00	178.60	178.60	53.00	19.50	7.60	14.2	15.3	—	—
UCD3090	341.60	341.60	191.10	191.10	60.20	19.50	7.60	15.9	17.1	—	—
UCD3390	359.30	359.30	197.70	197.70	67.50	19.50	7.60	17.7	18.9	—	—
UCD3690	376.90	376.90	204.20	204.20	74.80	19.50	7.60	19.4	20.7	—	—
UCD2796	357.00	357.00	204.50	204.50	61.80	20.00	7.80	15.2	16.4	—	—
UCD3096	382.90	382.90	217.90	217.90	70.20	20.00	7.80	17.1	18.3	—	—
UCD3396	402.90	402.90	225.40	225.40	78.70	20.00	7.80	19.0	20.2	—	—
UCD3696	422.80	422.80	232.80	232.80	87.30	20.00	7.80	20.8	22.1	—	—

Options Key: D=Number of Doors DF=Number of Drawer Fronts DB=Drawer Box EXT=Extended Stiles EXP=Exposed End FL=Flush End
 MI=Matching Interior STR=Shaped Top Rail FT=Flush Toe FTRA=Flush Toe with Roman Arch Shape
 *Wood shelf upgrade



UC - Utility Cabinet Deep w/Butt Doors



D	DF	DB	EXT	EXP	FL	MI	STR	FT	FTRA
4			✓	✓	✓	✓	✓	✓	✓

- 84" and 90" units have six shelves
- 96" units have separate 4" toe platform and have seven shelves

Cabinet Code	Craftsman		Pioneer			Flush End (ea.)	Exposed End (ea.)	Doors		Drawer Fronts	
	3-sided	4-sided	3-sided	4-sided	Shelf*			1/2"	1 1/4"	1/2"	1 1/4"
UCD2484BD	\$284.30	\$284.30	\$159.50	\$159.50	\$45.60	\$18.20	\$7.10	11.8	12.8	—	—
UCD2784BD	301.70	301.70	165.90	165.90	53.00	18.20	7.10	13.4	14.5	—	—
UCD3084BD	325.10	325.10	178.30	178.30	60.20	18.20	7.10	15.0	16.1	—	—
UCD3384BD	342.60	342.60	184.70	184.70	67.50	18.20	7.10	16.6	17.8	—	—
UCD3684BD	360.10	360.10	191.10	191.10	74.80	18.20	7.10	18.2	19.4	—	—
UCD2490BD	291.40	291.40	163.10	163.10	45.60	19.50	7.60	12.7	13.8	—	—
UCD2790BD	309.00	309.00	169.60	169.60	53.00	19.50	7.60	14.4	15.6	—	—
UCD3090BD	332.70	332.70	182.20	182.20	60.20	19.50	7.60	16.2	17.3	—	—
UCD3390BD	350.30	350.30	188.70	188.70	67.50	19.50	7.60	17.9	19.1	—	—
UCD3690BD	368.00	368.00	195.30	195.30	74.80	19.50	7.60	19.6	20.9	—	—
UCD2496BD	327.60	327.60	187.60	187.60	53.30	20.00	7.80	13.6	14.8	—	—
UCD2796BD	347.60	347.60	195.10	195.10	61.80	20.00	7.80	15.5	16.7	—	—
UCD3096BD	373.50	373.50	208.50	208.50	70.20	20.00	7.80	17.3	18.6	—	—
UCD3396BD	393.50	393.50	216.00	216.00	78.70	20.00	7.80	19.2	20.5	—	—
UCD3696BD	413.40	413.40	223.40	223.40	87.30	20.00	7.80	21.1	22.4	—	—

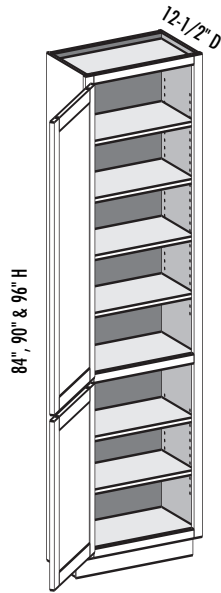
TALL CABINETS

Cabinet Systems

Options Key: D=Number of Doors DF=Number of Drawer Fronts DB=Drawer Box EXT=Extended Stiles EXP=Exposed End FL=Flush End
 MI=Matching Interior STR=Shaped Top Rail FT=Flush Toe FTRA=Flush Toe with Roman Arch Shape
 *Wood shelf upgrade



UCR - Utility Cabinet Reverse



D	DF	DB	EXT	EXP	FL	MI	STR	FT	FTRA
2			✓	✓	✓	✓	✓	✓	✓

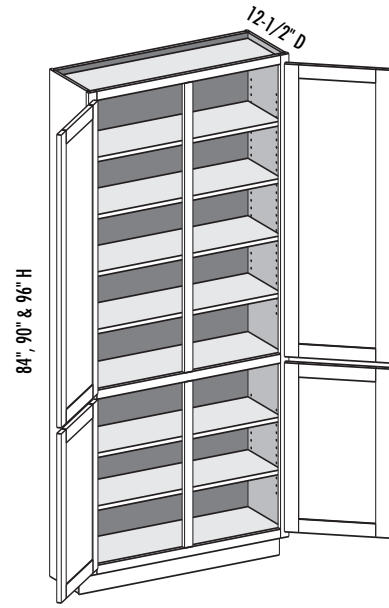
- 84" and 90" units have six shelves
- 96" units have separate 4" toe platform and have seven shelves
- Lower section aligns with 34-1/2" high base cabinets

Cabinet Code	Craftsman		Pioneer			Flush End (ea.)	Exposed End (ea.)	Doors		Drawer Fronts	
	3-sided	4-sided	3-sided	4-sided	Shelf*			1/2"	1 1/4"	1/2"	1 1/4"
UCR1584	\$158.90	\$158.90	\$111.90	\$111.90	\$10.30	\$9.30	\$3.60	7.0	8.0	—	—
UCR1884	170.20	170.20	116.80	116.80	14.60	9.30	3.60	8.6	9.6	—	—
UCR2184	181.50	181.50	121.60	121.60	18.80	9.30	3.60	10.2	11.3	—	—
UCR2484	192.70	192.70	126.50	126.50	23.10	9.30	3.60	11.8	12.9	—	—
UCR1590	163.20	163.20	114.30	114.30	10.30	9.90	3.90	7.5	8.6	—	—
UCR1890	174.70	174.70	119.30	119.30	14.60	9.90	3.90	9.3	10.3	—	—
UCR2190	186.00	186.00	124.30	124.30	18.80	9.90	3.90	11.0	12.1	—	—
UCR2490	197.40	197.40	129.30	129.30	23.10	9.90	3.90	12.8	13.9	—	—
UCR1596	184.20	184.20	131.40	131.40	12.00	10.10	4.00	8.1	9.2	—	—
UCR1896	197.20	197.20	137.00	137.00	17.00	10.10	4.00	9.9	11.1	—	—
UCR2196	210.20	210.20	142.80	142.80	21.90	10.10	4.00	11.8	13.0	—	—
UCR2496	223.10	223.10	148.50	148.50	26.90	10.10	4.00	13.7	14.9	—	—

Options Key: D=Number of Doors DF=Number of Drawer Fronts DB=Drawer Box EXT=Extended Stiles EXP=Exposed End FL=Flush End
 MI=Matching Interior STR=Shaped Top Rail FT=Flush Toe FTRA=Flush Toe with Roman Arch Shape
 *Wood shelf upgrade



UCR - Utility Cabinet Reverse



D	DF	DB	EXT	EXP	FL	MI	STR	FT	FTRA
4			✓	✓	✓	✓		✓	✓

- 84" and 90" units have six shelves
- 96" units have separate 4" toe platform and have seven shelves
- Lower section aligns with 34-1/2" high base cabinets

Cabinet Code	Craftsman		Pioneer			Flush End (ea.)	Exposed End (ea.)	Doors		Drawer Fronts	
	3-sided	4-sided	3-sided	4-sided	Shelf*			1/2"	1 1/4"	1/2"	1 1/4"
UCR2784	\$215.40	\$215.40	\$142.90	\$142.90	\$27.30	\$9.30	\$3.60	13.2	14.3	—	—
UCR3084	226.70	226.70	147.80	147.80	31.60	9.30	3.60	14.8	15.9	—	—
UCR3384	238.00	238.00	152.60	152.60	35.90	9.30	3.60	16.4	17.6	—	—
UCR3684	249.30	249.30	157.50	157.50	40.10	9.30	3.60	18.0	19.2	—	—
UCR2790	220.80	220.80	146.30	146.30	27.30	9.90	3.90	14.2	15.4	—	—
UCR3090	232.20	232.20	151.30	151.30	31.60	9.90	3.90	15.9	17.1	—	—
UCR3390	243.60	243.60	156.30	156.30	35.90	9.90	3.90	17.7	18.9	—	—
UCR3690	255.00	255.00	161.20	161.20	40.10	9.90	3.90	19.4	20.7	—	—
UCR2796	248.50	248.50	166.60	166.60	31.90	10.10	4.00	15.2	16.5	—	—
UCR3096	261.40	261.40	172.20	172.20	36.90	10.10	4.00	17.1	18.4	—	—
UCR3396	274.50	274.50	178.00	178.00	41.80	10.10	4.00	19.0	20.2	—	—
UCR3696	287.40	287.40	183.70	183.70	46.80	10.10	4.00	20.8	22.1	—	—

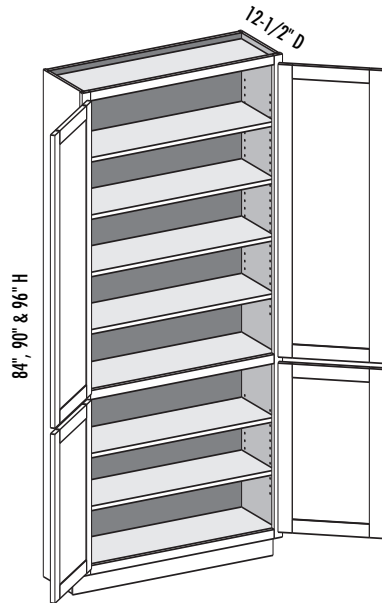
TALL CABINETS

Cabinet Systems

Options Key: D=Number of Doors DF=Number of Drawer Fronts DB=Drawer Box EXT=Extended Stiles EXP=Exposed End FL=Flush End
 MI=Matching Interior STR=Shaped Top Rail FT=Flush Toe FTRA=Flush Toe with Roman Arch Shape
 *Wood shelf upgrade



UCR - Utility Cabinet Reverse w/Butt Doors



D	DF	DB	EXT	EXP	FL	MI	STR	FT	FTRA
4			✓	✓	✓	✓	✓	✓	✓

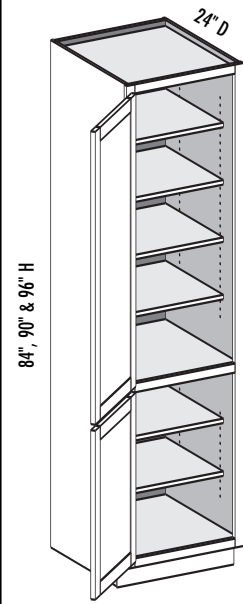
- 84" and 90" units have six shelves
- 96" units have separate 4" toe platform and have seven shelves
- Lower section aligns with 34-1/2" high base cabinets

Cabinet Code	Craftsman		Pioneer			Flush End (ea.)	Exposed End (ea.)	Doors		Drawer Fronts	
	3-sided	4-sided	3-sided	4-sided	Shelf*			1/2"	1 1/4"	1/2"	1 1/4"
UCR2484BD	\$192.70	\$192.70	\$126.50	\$126.50	\$23.10	\$9.30	\$3.60	11.8	12.8	—	—
UCR2784BD	206.90	206.90	134.40	134.40	27.30	9.30	3.60	13.4	14.5	—	—
UCR3084BD	218.10	218.10	139.20	139.20	31.60	9.30	3.60	15.0	16.1	—	—
UCR3384BD	229.50	229.50	144.10	144.10	35.90	9.30	3.60	16.6	17.8	—	—
UCR3684BD	240.70	240.70	148.90	148.90	40.10	9.30	3.60	18.2	19.4	—	—
UCR2490BD	197.40	197.40	129.30	129.30	23.10	9.90	3.90	12.7	13.8	—	—
UCR2790BD	211.80	211.80	137.30	137.30	27.30	9.90	3.90	14.4	15.6	—	—
UCR3090BD	223.30	223.30	142.40	142.40	31.60	9.90	3.90	16.2	17.4	—	—
UCR3390BD	234.60	234.60	147.30	147.30	35.90	9.90	3.90	17.9	19.1	—	—
UCR3690BD	246.10	246.10	152.30	152.30	40.10	9.90	3.90	19.6	20.9	—	—
UCR2496BD	223.10	223.10	148.50	148.50	26.90	10.10	4.00	13.6	14.8	—	—
UCR2796BD	239.10	239.10	157.20	157.20	31.90	10.10	4.00	15.5	16.7	—	—
UCR3096BD	252.00	252.00	162.80	162.80	36.90	10.10	4.00	17.3	18.6	—	—
UCR3396BD	265.10	265.10	168.60	168.60	41.80	10.10	4.00	19.2	20.5	—	—
UCR3696BD	278.00	278.00	174.30	174.30	46.80	10.10	4.00	21.1	22.4	—	—

Options Key: D=Number of Doors DF=Number of Drawer Fronts DB=Drawer Box EXT=Extended Stiles EXP=Exposed End FL=Flush End
 MI=Matching Interior STR=Shaped Top Rail FT=Flush Toe FTRA=Flush Toe with Roman Arch Shape
 *Wood shelf upgrade



UCDR - Utility Cabinet Deep Reverse



D	DF	DB	EXT	EXP	FL	MI	STR	FT	FTRA
2			✓	✓	✓	✓	✓	✓	✓

- 84" and 90" units have six shelves
- 96" units have separate 4" toe platform and have seven shelves
- Lower section aligns with 34-1/2" high base cabinets

Cabinet Code	Craftsman		Pioneer			Flush End (ea.)	Exposed End (ea.)	Doors		Drawer Fronts	
	3-sided	4-sided	3-sided	4-sided	Shelf*			1/2"	1 1/4"	1/2"	1 1/4"
UCDR1584	\$229.30	\$229.30	\$137.80	\$137.80	\$23.80	\$18.20	\$7.10	7.0	8.0	—	—
UCDR1884	246.80	246.80	144.20	144.20	31.10	18.20	7.10	8.6	9.6	—	—
UCDR2184	266.60	266.60	153.10	153.10	38.30	18.20	7.10	10.2	11.3	—	—
UCDR2484	284.30	284.30	159.50	159.50	45.60	18.20	7.10	11.8	12.9	—	—
UCDR1590	236.00	236.00	141.00	141.00	23.80	19.50	7.60	7.5	8.6	—	—
UCDR1890	253.70	253.70	147.50	147.50	31.10	19.50	7.60	9.3	10.3	—	—
UCDR2190	273.70	273.70	156.50	156.50	38.30	19.50	7.60	11.0	12.1	—	—
UCDR2490	291.40	291.40	163.10	163.10	45.60	19.50	7.60	12.8	13.9	—	—
UCDR1596	265.50	265.50	163.00	163.00	27.80	20.00	7.80	8.1	9.2	—	—
UCDR1896	285.40	285.40	170.40	170.40	36.20	20.00	7.80	9.9	11.1	—	—
UCDR2196	307.70	307.70	180.30	180.30	44.70	20.00	7.80	11.8	13.0	—	—
UCDR2496	327.60	327.60	187.60	187.60	53.30	20.00	7.80	13.7	14.9	—	—

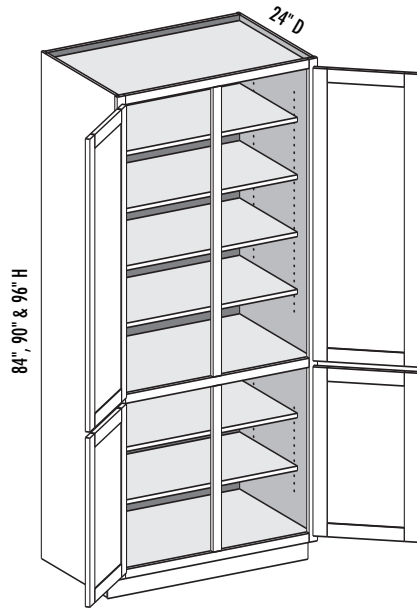
TALL CABINETS

Cabinet Systems

Options Key: D=Number of Doors DF=Number of Drawer Fronts DB=Drawer Box EXT=Extended Stiles EXP=Exposed End FL=Flush End
 MI=Matching Interior STR=Shaped Top Rail FT=Flush Toe FTRA=Flush Toe with Roman Arch Shape
 *Wood shelf upgrade



UCDR - Utility Cabinet Deep Reverse



D	DF	DB	EXT	EXP	FL	MI	STR	FT	FTRA
4			✓	✓	✓	✓		✓	✓

- 84" and 90" units have six shelves
- 96" units have separate 4" toe platform and have seven shelves
- Lower section aligns with 34-1/2" high base cabinets

Cabinet Code	Craftsman		Pioneer			Flush End (ea.)	Exposed End (ea.)	Doors		Drawer Fronts	
	3-sided	4-sided	3-sided	4-sided	Shelf*			1/2"	1 1/4"	1/2"	1 1/4"
UCDR2784	\$310.20	\$310.20	\$174.40	\$174.40	\$53.00	\$18.20	\$7.10	13.2	14.3	—	—
UCDR3084	333.70	333.70	186.90	186.90	60.20	18.20	7.10	14.8	15.9	—	—
UCDR3384	351.10	351.10	193.20	193.20	67.50	18.20	7.10	16.4	17.6	—	—
UCDR3684	368.70	368.70	199.70	199.70	74.80	18.20	7.10	18.0	19.2	—	—
UCDR2790	318.00	318.00	178.60	178.60	53.00	19.50	7.60	14.2	15.4	—	—
UCDR3090	341.60	341.60	191.10	191.10	60.20	19.50	7.60	15.9	17.1	—	—
UCDR3390	359.30	359.30	197.70	197.70	67.50	19.50	7.60	17.7	18.9	—	—
UCDR3690	376.90	376.90	204.20	204.20	74.80	19.50	7.60	19.4	20.7	—	—
UCDR2796	357.00	357.00	204.50	204.50	61.80	20.00	7.80	15.2	16.5	—	—
UCDR3096	382.90	382.90	217.90	217.90	70.20	20.00	7.80	17.1	18.4	—	—
UCDR3396	402.90	402.90	225.40	225.40	78.70	20.00	7.80	19.0	20.2	—	—
UCDR3696	422.80	422.80	232.80	232.80	87.30	20.00	7.80	20.8	22.1	—	—

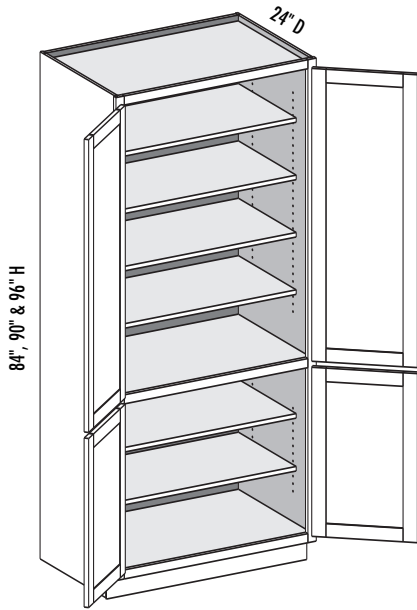
TALL CABINETS

Cabinet Systems

Options Key: D=Number of Doors DF=Number of Drawer Fronts DB=Drawer Box EXT=Extended Stiles EXP=Exposed End FL=Flush End
 MI=Matching Interior STR=Shaped Top Rail FT=Flush Toe FTRA=Flush Toe with Roman Arch Shape
 *Wood shelf upgrade



UCDR - Utility Cabinet Deep Reverse w/Butt Doors



D	DF	DB	EXT	EXP	FL	MI	STR	FT	FTRA
4			✓	✓	✓	✓	✓	✓	✓

- 84" and 90" units have six shelves
- 96" units have separate 4" toe platform and have seven shelves
- Lower section aligns with 34-1/2" high base cabinets

Cabinet Code	Craftsman		Pioneer			Flush End (ea.)	Exposed End (ea.)	Doors		Drawer Fronts	
	3-sided	4-sided	3-sided	4-sided	Shelf*			1/2"	1 1/4"	1/2"	1 1/4"
UCDR2484BD	\$284.30	\$284.30	\$159.50	\$159.50	\$45.60	\$18.20	\$7.10	11.8	12.8	—	—
UCDR2784BD	301.70	301.70	165.90	165.90	53.00	18.20	7.10	13.4	14.5	—	—
UCDR3084BD	325.10	325.10	178.30	178.30	60.20	18.20	7.10	15.0	16.1	—	—
UCDR3384BD	342.60	342.60	184.70	184.70	67.50	18.20	7.10	16.6	17.8	—	—
UCDR3684BD	360.10	360.10	191.10	191.10	74.80	18.20	7.10	18.2	19.4	—	—
UCDR2490BD	291.40	291.40	163.10	163.10	45.60	19.50	7.60	12.7	13.8	—	—
UCDR2790BD	309.00	309.00	169.60	169.60	53.00	19.50	7.60	14.4	15.6	—	—
UCDR3090BD	332.70	332.70	182.20	182.20	60.20	19.50	7.60	16.2	17.4	—	—
UCDR3390BD	350.30	350.30	188.70	188.70	67.50	19.50	7.60	17.9	19.1	—	—
UCDR3690BD	368.00	368.00	195.30	195.30	74.80	19.50	7.60	19.6	20.9	—	—
UCDR2496BD	327.60	327.60	187.60	187.60	53.30	20.00	7.80	13.6	14.8	—	—
UCDR2796BD	347.60	347.60	195.10	195.10	61.80	20.00	7.80	15.5	16.7	—	—
UCDR3096BD	373.50	373.50	208.50	208.50	70.20	20.00	7.80	17.3	18.6	—	—
UCDR3396BD	393.50	393.50	216.00	216.00	78.70	20.00	7.80	19.2	20.5	—	—
UCDR3696BD	413.40	413.40	223.40	223.40	87.30	20.00	7.80	21.1	22.4	—	—

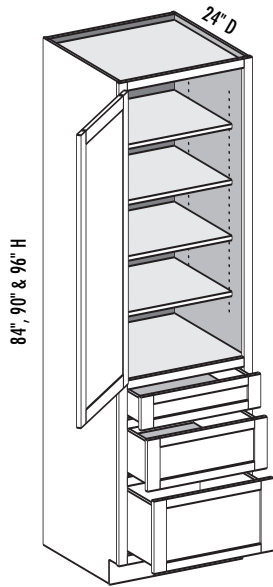
TALL CABINETS

Cabinet Systems

Options Key: D=Number of Doors DF=Number of Drawer Fronts DB=Drawer Box EXT=Extended Stiles EXP=Exposed End FL=Flush End
 MI=Matching Interior STR=Shaped Top Rail FT=Flush Toe FTRA=Flush Toe with Roman Arch Shape
 *Wood shelf upgrade



U3D - Utility Three Drawer



D	DF	DB	EXT	EXP	FL	MI	STR	FT	FTRA
1	3	3	✓	✓	✓	✓	✓	✓	✓

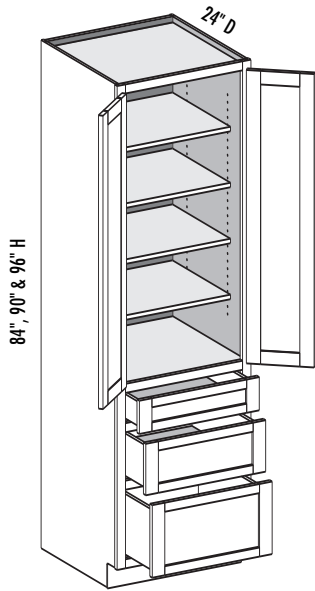
- 96" units have a separate 4" toe platform and five shelves

Cabinet Code	Craftsman		Pioneer			Flush End (ea.)	Exposed End (ea.)	Doors		Drawer Fronts	
	3-sided	4-sided	3-sided	4-sided	Shelf*			1/2"	1 1/4"	1/2"	1 1/4"
U3D1884	\$297.50	\$335.10	\$206.70	\$244.30	\$20.80	\$18.20	\$7.10	5.4	6.0	3.1	3.5
U3D2184	317.80	357.00	218.70	257.90	25.60	18.20	7.10	6.5	7.0	3.6	4.1
U3D2484	335.60	376.40	228.20	269.00	30.40	18.20	7.10	7.5	8.0	4.2	4.7
U3D1890	305.30	342.90	210.90	248.50	20.80	19.50	7.60	6.1	6.7	3.1	3.5
U3D2190	325.90	365.10	223.00	262.20	25.60	19.50	7.60	7.3	7.8	3.6	4.1
U3D2490	344.00	384.80	232.80	273.60	30.40	19.50	7.60	8.4	9.0	4.2	4.7
U3D1896	337.70	375.30	232.80	270.40	26.00	20.00	7.80	6.8	7.4	3.1	3.5
U3D2196	360.60	399.80	246.00	285.20	32.00	20.00	7.80	8.0	8.7	3.6	4.1
U3D2496	381.20	422.00	256.80	297.60	38.00	20.00	7.80	9.3	10.0	4.2	4.7

Options Key: D=Number of Doors DF=Number of Drawer Fronts DB=Drawer Box EXT=Extended Stiles EXP=Exposed End FL=Flush End
 MI=Matching Interior STR=Shaped Top Rail FT=Flush Toe FTRA=Flush Toe with Roman Arch Shape
 *Wood shelf upgrade



U3D - Utility Three Drawer w/Butt Doors



D	DF	DB	EXT	EXP	FL	MI	STR	FT	FTRA
2	3	3	✓	✓	✓	✓	✓	✓	✓

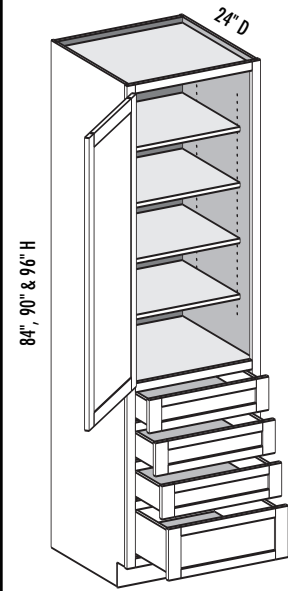
- 96" units have a separate 4" toe platform and five shelves

Cabinet Code	Craftsman		Pioneer			Flush End (ea.)	Exposed End (ea.)	Doors		Drawer Fronts	
	3-sided	4-sided	3-sided	4-sided	Shelf*			1/2"	1 1/4"	1/2"	1 1/4"
U3D2484BD	\$335.60	\$376.40	\$228.20	\$269.00	\$30.40	\$18.20	\$7.10	7.4	8.0	4.2	4.7
U3D2490BD	344.00	384.80	232.80	273.60	30.40	19.50	7.60	8.4	8.9	4.2	4.7
U3D2496BD	381.20	422.00	256.80	297.60	38.00	20.00	7.80	9.3	9.9	4.2	4.7

Options Key: D=Number of Doors DF=Number of Drawer Fronts DB=Drawer Box EXT=Extended Stiles EXP=Exposed End FL=Flush End
 MI=Matching Interior STR=Shaped Top Rail FT=Flush Toe FTRA=Flush Toe with Roman Arch Shape
 *Wood shelf upgrade



U4D - Utility Four Drawer



D	DF	DB	EXT	EXP	FL	MI	STR	FT	FTRA
1	4	4	✓	✓	✓	✓	✓	✓	✓

- 96" units have a separate 4" toe platform and five shelves

Cabinet Code	Craftsman		Pioneer			Flush End (ea.)	Exposed End (ea.)	Doors		Drawer Fronts	
	3-sided	4-sided	3-sided	4-sided	Shelf*			1/2"	1 1/4"	1/2"	1 1/4"
U4D1884	\$304.10	\$349.60	\$213.30	\$258.80	\$20.80	\$18.20	\$7.10	5.4	6.0	3.0	3.5
U4D2184	324.80	371.60	225.60	272.40	25.60	18.20	7.10	6.5	7.0	3.6	4.1
U4D2484	343.10	391.10	235.70	283.70	30.40	18.20	7.10	7.5	8.0	4.1	4.7
U4D1890	311.90	357.40	217.40	262.90	20.80	19.50	7.60	6.1	6.7	3.0	3.5
U4D2190	332.90	379.70	230.00	276.80	25.60	19.50	7.60	7.3	7.8	3.6	4.1
U4D2490	351.60	399.60	240.30	288.30	30.40	19.50	7.60	8.4	9.0	4.1	4.7
U4D1896	344.20	389.70	239.40	284.90	26.00	20.00	7.80	6.8	7.4	3.0	3.5
U4D2196	367.60	414.40	252.90	299.70	32.00	20.00	7.80	8.0	8.7	3.6	4.1
U4D2496	388.70	436.70	264.20	312.20	38.00	20.00	7.80	9.3	10.0	4.1	4.7

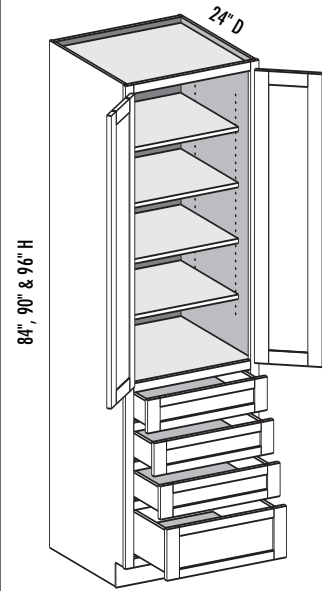
TALL CABINETS

Cabinet Systems

Options Key: D=Number of Doors DF=Number of Drawer Fronts DB=Drawer Box EXT=Extended Stiles EXP=Exposed End FL=Flush End
 MI=Matching Interior STR=Shaped Top Rail FT=Flush Toe FTRA=Flush Toe with Roman Arch Shape
 *Wood shelf upgrade



U4D - Utility Four Drawer w/Butt Doors



D	DF	DB	EXT	EXP	FL	MI	STR	FT	FTRA
2	4	4	✓	✓	✓	✓	✓	✓	✓

- 96" units have a separate 4" toe platform and five shelves

Cabinet Code	Craftsman		Pioneer			Flush End (ea.)	Exposed End (ea.)	Doors		Drawer Fronts	
	3-sided	4-sided	3-sided	4-sided	Shelf*			1/2"	1 1/4"	1/2"	1 1/4"
U4D2484BD	\$343.10	\$391.10	\$235.70	\$283.70	\$30.40	\$18.20	\$7.10	7.4	8.0	4.1	4.7
U4D2490BD	351.60	399.60	240.30	288.30	30.40	19.50	7.60	8.4	8.9	4.1	4.7
U4D2496BD	388.70	436.70	264.20	312.20	38.00	20.00	8.20	9.3	9.9	4.1	4.7

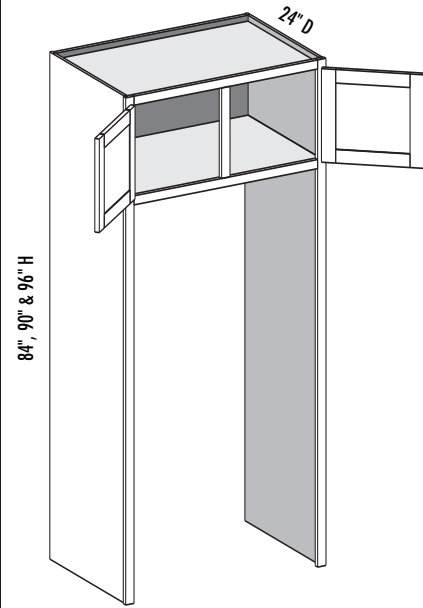
TALL CABINETS

Cabinet Systems

Options Key: D=Number of Doors DF=Number of Drawer Fronts DB=Drawer Box EXT=Extended Stiles EXP=Exposed End FL=Flush End
 MI=Matching Interior STR=Shaped Top Rail FT=Flush Toe FTRA=Flush Toe with Roman Arch Shape
 *Wood shelf upgrade



RTB - Refrigerator Tall Both



D	DF	DB	EXT	EXP	FL	MI	STR	FT	FTRA
2			✓	✓	✓	✓			

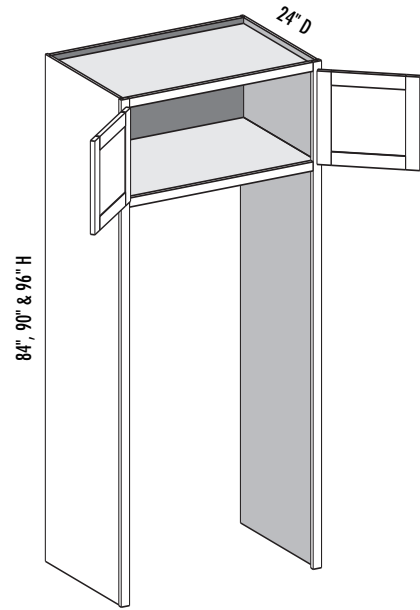
- Middle numbers in the cabinet code refer to the height of the wall cabinet (example: RTB331284 has a 12" high wall cabinet)
- Pioneer refrigerator tall cabinets have Craftsman (plywood) prefinished tall sides
- Tall sides on 96" unit are a full 96" high
- 21" high and 24" high wall cabinets have one shelf
- 27" high wall cabinet has two shelves

Cabinet Code	Craftsman		Pioneer			Flush End (ea.)	Exposed End (ea.)	Doors		Drawer Fronts	
	3-sided	4-sided	3-sided	4-sided	Shelf*			1/2"	1 1/4"	1/2"	1 1/4"
RTB331284	\$185.30	\$185.30	\$159.10	\$159.10	—	\$18.20	\$7.10	2.1	2.6	—	—
RTB331584	186.40	186.40	160.00	160.00	—	18.20	7.10	2.8	3.2	—	—
RTB331884	187.40	187.40	160.90	160.90	—	18.20	7.10	3.4	3.9	—	—
RTB361284	188.90	188.90	160.90	160.90	—	18.20	7.10	2.3	2.8	—	—
RTB361584	190.00	190.00	161.90	161.90	—	18.20	7.10	3.0	3.5	—	—
RTB361884	191.10	191.10	162.80	162.80	—	18.20	7.10	3.7	4.3	—	—
RTB391284	198.80	198.80	169.10	169.10	—	18.20	7.10	2.5	3.0	—	—
RTB391584	200.00	200.00	170.10	170.10	—	18.20	7.10	3.3	3.8	—	—
RTB391884	201.30	201.30	171.20	171.20	—	18.20	7.10	4.1	4.6	—	—
RTB331890	193.40	193.40	166.40	166.40	—	19.50	7.60	3.4	3.9	—	—
RTB332190	218.30	218.30	175.10	175.10	14.10	19.50	7.60	4.0	4.6	—	—
RTB332490	219.30	219.30	176.00	176.00	14.10	19.50	7.60	4.7	5.2	—	—
RTB361890	197.20	197.20	168.50	168.50	—	19.50	7.60	3.7	4.3	—	—
RTB362190	224.20	224.20	177.70	177.70	15.60	19.50	7.60	4.4	5.0	—	—
RTB362490	225.30	225.30	178.60	178.60	15.60	19.50	7.60	5.1	5.7	—	—
RTB391890	207.30	207.30	176.80	176.80	—	19.50	7.60	4.1	4.6	—	—
RTB392190	236.40	236.40	186.50	186.50	17.10	19.50	7.60	4.8	5.4	—	—
RTB392490	237.60	237.60	187.60	187.60	17.10	19.50	7.60	5.6	6.2	—	—
RTB332496	225.30	225.30	181.60	181.60	14.10	20.80	8.20	4.7	5.2	—	—
RTB332796	249.00	249.00	189.30	189.30	28.30	20.80	8.20	5.3	5.9	—	—
RTB362496	231.30	231.30	184.20	184.20	15.60	20.80	8.20	5.1	5.7	—	—
RTB362796	257.40	257.40	192.60	192.60	31.20	20.80	8.20	5.8	6.4	—	—
RTB392496	243.70	243.70	193.20	193.20	17.10	20.80	8.20	5.6	6.2	—	—
RTB392796	271.80	271.80	202.00	202.00	34.20	20.80	8.20	6.3	7.0	—	—

Options Key: D=Number of Doors DF=Number of Drawer Fronts DB=Drawer Box EXT=Extended Stiles EXP=Exposed End FL=Flush End
 MI=Matching Interior STR=Shaped Top Rail FT=Flush Toe FTRA=Flush Toe with Roman Arch Shape
 *Wood shelf upgrade



RTB - Refrigerator Tall Both w/Butt Doors



D	DF	DB	EXT	EXP	FL	MI	STR	FT	FTRA
2			✓	✓	✓	✓	✓		

- Middle numbers in the cabinet code refer to the height of the wall cabinet (example: RTB331284 has a 12" high wall cabinet)
- Pioneer refrigerator tall cabinets have Craftsman (plywood) prefinished tall sides
- Tall sides on 96" unit are a full 96" high
- 21" high and 24" high wall cabinets have one shelf
- 27" high wall cabinet has two shelves

Cabinet Code	Craftsman		Pioneer			Flush End (ea.)	Exposed End (ea.)	Doors		Drawer Fronts	
	3-sided	4-sided	3-sided	4-sided	Shelf*			1/2"	1 1/4"	1/2"	1 1/4"
RTB331284BD	\$184.60	\$184.60	\$158.40	\$158.40	—	\$18.20	\$7.10	2.1	2.6	—	—
RTB331584BD	185.50	185.50	159.10	159.10	—	18.20	7.10	2.8	3.3	—	—
RTB331884BD	186.30	186.30	159.80	159.80	—	18.20	7.10	3.4	3.9	—	—
RTB361284BD	188.20	188.20	160.20	160.20	—	18.20	7.10	2.4	2.8	—	—
RTB361584BD	189.10	189.10	161.00	161.00	—	18.20	7.10	3.1	3.6	—	—
RTB361884BD	190.00	190.00	161.70	161.70	—	18.20	7.10	3.8	4.3	—	—
RTB331890BD	192.30	192.30	165.30	165.30	—	19.50	7.60	3.4	3.9	—	—
RTB332190BD	216.90	216.90	173.70	173.70	14.10	19.50	7.60	4.1	4.6	—	—
RTB332490BD	217.70	217.70	174.40	174.40	14.10	19.50	7.60	4.7	5.3	—	—
RTB361890BD	196.00	196.00	167.30	167.30	—	19.50	7.60	3.8	4.3	—	—
RTB362190BD	222.80	222.80	176.30	176.30	15.60	19.50	7.60	4.5	5.0	—	—
RTB362490BD	223.70	223.70	177.00	177.00	15.60	19.50	7.60	5.2	5.8	—	—
RTB332496BD	223.70	223.70	180.00	180.00	14.10	20.80	8.20	4.7	5.3	—	—
RTB332796BD	247.20	247.20	187.50	187.50	28.30	20.80	8.20	5.4	6.0	—	—
RTB362496BD	229.80	229.80	182.70	182.70	15.60	20.80	8.20	5.2	5.8	—	—
RTB362796BD	255.60	255.60	190.80	190.80	31.20	20.80	8.20	5.9	6.5	—	—

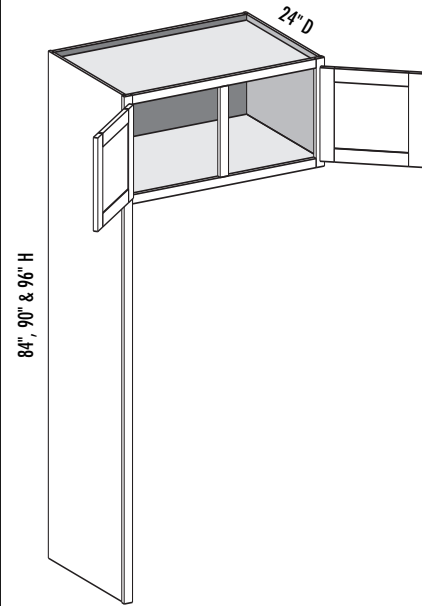
TALL CABINETS

Cabinet Systems

Options Key: D=Number of Doors DF=Number of Drawer Fronts DB=Drawer Box EXT=Extended Stiles EXP=Exposed End FL=Flush End MI=Matching Interior STR=Shaped Top Rail FT=Flush Toe FTRA=Flush Toe with Roman Arch Shape
*Wood shelf upgrade



RTL - Refrigerator Tail Left



D	DF	DB	EXT	EXP	FL	MI	STR	FT	FTRA
2			✓	✓	✓	✓			

- Middle numbers in the cabinet code refer to the height of the wall cabinet (example: RTB331284 has a 12" high wall cabinet)
- Pioneer refrigerator tall cabinets have Craftsman (plywood) prefinished tall sides
- Tall sides on 96" unit are a full 96" high
- 21" high and 24" high wall cabinets have one shelf
- 27" high wall cabinet has two shelves

Cabinet Code	Craftsman		Pioneer			Flush End (ea.)	Exposed End (ea.)	Doors		Drawer Fronts	
	3-sided	4-sided	3-sided	4-sided	Shelf*			1/2"	1 1/4"	1/2"	1 1/4"
RTL331284	\$146.10	\$146.10	\$119.80	\$119.80	—	\$18.20	\$7.10	2.1	2.6	—	—
RTL331584	148.60	148.60	121.30	121.30	—	18.20	7.10	2.8	3.2	—	—
RTL331884	151.10	151.10	122.70	122.70	—	18.20	7.10	3.4	3.9	—	—
RTL361284	149.70	149.70	121.60	121.60	—	18.20	7.10	2.3	2.8	—	—
RTL361584	152.20	152.20	123.20	123.20	—	18.20	7.10	3.0	3.5	—	—
RTL361884	154.90	154.90	124.80	124.80	—	18.20	7.10	3.7	4.3	—	—
RTL391284	159.60	159.60	129.80	129.80	—	18.20	7.10	2.5	3.0	—	—
RTL391584	162.30	162.30	131.50	131.50	—	18.20	7.10	3.3	3.8	—	—
RTL391884	164.90	164.90	133.10	133.10	—	18.20	7.10	4.1	4.6	—	—
RTL331890	154.10	154.10	125.60	125.60	—	19.50	7.60	3.4	3.9	—	—
RTL332190	180.20	180.20	134.70	134.70	14.10	19.50	7.60	4.0	4.6	—	—
RTL332490	182.70	182.70	136.10	136.10	14.10	19.50	7.60	4.7	5.2	—	—
RTL361890	157.90	157.90	127.60	127.60	—	19.50	7.60	3.7	4.3	—	—
RTL362190	186.10	186.10	137.20	137.20	15.60	19.50	7.60	4.4	5.0	—	—
RTL362490	188.80	188.80	138.90	138.90	15.60	19.50	7.60	5.1	5.7	—	—
RTL391890	167.90	167.90	135.90	135.90	—	19.50	7.60	4.1	4.6	—	—
RTL392190	198.40	198.40	146.20	146.20	17.10	19.50	7.60	4.8	5.4	—	—
RTL392490	201.10	201.10	147.80	147.80	17.10	19.50	7.60	5.6	6.2	—	—
RTL332496	185.70	185.70	138.90	138.90	14.10	20.80	8.20	4.7	5.2	—	—
RTL332796	210.90	210.90	147.30	147.30	28.30	20.80	8.20	5.3	5.9	—	—
RTL362496	191.80	191.80	141.60	141.60	15.60	20.80	8.20	5.1	5.7	—	—
RTL362796	219.20	219.20	150.50	150.50	31.20	20.80	8.20	5.8	6.4	—	—
RTL392496	204.10	204.10	150.60	150.60	17.10	20.80	8.20	5.6	6.2	—	—
RTL392796	233.70	233.70	159.90	159.90	34.20	20.80	8.20	6.3	7.0	—	—

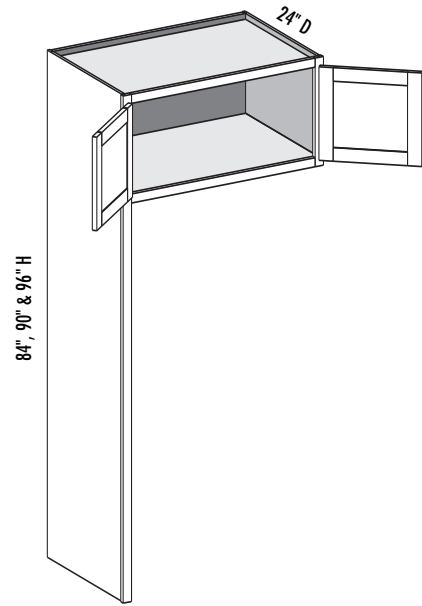
TALL CABINETS

Cabinet Systems

Options Key: D=Number of Doors DF=Number of Drawer Fronts DB=Drawer Box EXT=Extended Stiles EXP=Exposed End FL=Flush End
 MI=Matching Interior STR=Shaped Top Rail FT=Flush Toe FTRA=Flush Toe with Roman Arch Shape
 *Wood shelf upgrade



RTL - Refrigerator Tall Left w/Butt Doors



D	DF	DB	EXT	EXP	FL	MI	STR	FT	FTRA
2			✓	✓	✓	✓	✓		

- Middle numbers in the cabinet code refer to the height of the wall cabinet (example: RTB331284 has a 12" high wall cabinet)
- Pioneer refrigerator tall cabinets have Craftsman (plywood) prefinished tall sides
- Tall sides on 96" unit are a full 96" high
- 21" high and 24" high wall cabinets have one shelf
- 27" high wall cabinet has two shelves

Cabinet Code	Craftsman		Pioneer			Flush End (ea.)	Exposed End (ea.)	Doors		Drawer Fronts	
	3-sided	4-sided	3-sided	4-sided	Shelf*			1/2"	1 1/4"	1/2"	1 1/4"
RTL331284BD	\$145.40	\$145.40	\$119.10	\$119.10	—	\$18.20	\$7.10	2.1	2.6	—	—
RTL331584BD	147.70	147.70	120.40	120.40	—	18.20	7.10	2.8	3.3	—	—
RTL331884BD	150.00	150.00	121.60	121.60	—	18.20	7.10	3.4	3.9	—	—
RTL361284BD	149.00	149.00	120.90	120.90	—	18.20	7.10	2.4	2.8	—	—
RTL361584BD	151.30	151.30	122.30	122.30	—	18.20	7.10	3.1	3.6	—	—
RTL361884BD	153.70	153.70	123.60	123.60	—	18.20	7.10	3.8	4.3	—	—
RTL331890BD	152.90	152.90	124.40	124.40	—	19.50	7.60	3.4	3.9	—	—
RTL332190BD	178.80	178.80	133.30	133.30	14.10	19.50	7.60	4.1	4.6	—	—
RTL332490BD	181.10	181.10	134.50	134.50	14.10	19.50	7.60	4.7	5.3	—	—
RTL361890BD	156.70	156.70	126.40	126.40	—	19.50	7.60	3.8	4.3	—	—
RTL362190BD	184.80	184.80	135.90	135.90	15.60	19.50	7.60	4.5	5.0	—	—
RTL362490BD	187.20	187.20	137.30	137.30	15.60	19.50	7.60	5.2	5.8	—	—
RTL332496BD	184.20	184.20	137.40	137.40	14.10	20.80	8.20	4.7	5.3	—	—
RTL332796BD	209.10	209.10	145.50	145.50	28.30	20.80	8.20	5.4	6.0	—	—
RTL362496BD	190.20	190.20	140.00	140.00	15.60	20.80	8.20	5.2	5.8	—	—
RTL362796BD	217.40	217.40	148.70	148.70	31.20	20.80	8.20	5.9	6.5	—	—

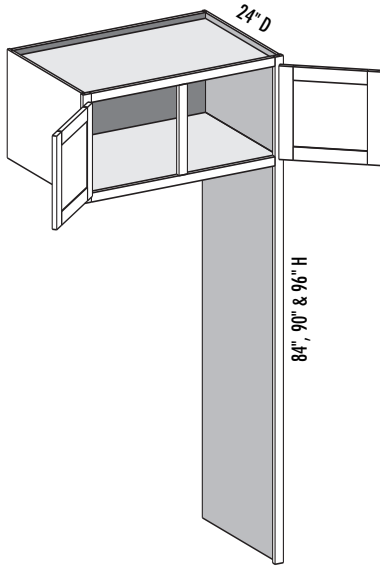
TALL CABINETS

Cabinet Systems

Options Key: D=Number of Doors DF=Number of Drawer Fronts DB=Drawer Box EXT=Extended Stiles EXP=Exposed End FL=Flush End MI=Matching Interior STR=Shaped Top Rail FT=Flush Toe FTRA=Flush Toe with Roman Arch Shape
*Wood shelf upgrade



RTR - Refrigerator Tall Right



D	DF	DB	EXT	EXP	FL	MI	STR	FT	FTRA
2			✓	✓	✓	✓			

- Middle numbers in the cabinet code refer to the height of the wall cabinet (example: RTB331284 has a 12" high wall cabinet)
- Pioneer refrigerator tall cabinets have Craftsman (plywood) prefinished tall sides
- Tall sides on 96" unit are a full 96" high
- 21" high and 24" high wall cabinets have one shelf
- 27" high wall cabinet has two shelves

Cabinet Code	Craftsman		Pioneer			Flush End (ea.)	Exposed End (ea.)	Doors		Drawer Fronts	
	3-sided	4-sided	3-sided	4-sided	Shelf*			1/2"	1 1/4"	1/2"	1 1/4"
RTR331284	\$146.10	\$146.10	\$119.80	\$119.80	—	\$18.20	\$7.10	2.1	2.6	—	—
RTR331584	148.60	148.60	121.30	121.30	—	18.20	7.10	2.8	3.2	—	—
RTR331884	151.10	151.10	122.70	122.70	—	18.20	7.10	3.4	3.9	—	—
RTR361284	149.70	149.70	121.60	121.60	—	18.20	7.10	2.3	2.8	—	—
RTR361584	152.20	152.20	123.20	123.20	—	18.20	7.10	3.0	3.5	—	—
RTR361884	154.90	154.90	124.80	124.80	—	18.20	7.10	3.7	4.3	—	—
RTR391284	159.60	159.60	129.80	129.80	—	18.20	7.10	2.5	3.0	—	—
RTR391584	162.30	162.30	131.50	131.50	—	18.20	7.10	3.3	3.8	—	—
RTR391884	164.90	164.90	133.10	133.10	—	18.20	7.10	4.1	4.6	—	—
RTR331890	154.10	154.10	125.60	125.60	—	19.50	7.60	3.4	3.9	—	—
RTR332190	180.20	180.20	134.70	134.70	14.10	19.50	7.60	4.0	4.6	—	—
RTR332490	182.70	182.70	136.10	136.10	14.10	19.50	7.60	4.7	5.2	—	—
RTR361890	157.90	157.90	127.60	127.60	—	19.50	7.60	3.7	4.3	—	—
RTR362190	186.10	186.10	137.20	137.20	15.60	19.50	7.60	4.4	5.0	—	—
RTR362490	188.80	188.80	138.90	138.90	15.60	19.50	7.60	5.1	5.7	—	—
RTR391890	167.90	167.90	135.90	135.90	—	19.50	7.60	4.1	4.6	—	—
RTR392190	198.40	198.40	146.20	146.20	17.10	19.50	7.60	4.8	5.4	—	—
RTR392490	201.10	201.10	147.80	147.80	17.10	19.50	7.60	5.6	6.2	—	—
RTR332496	185.70	185.70	138.90	138.90	14.10	20.80	8.20	4.7	5.2	—	—
RTR332796	210.90	210.90	147.30	147.30	28.30	20.80	8.20	5.3	5.9	—	—
RTR362496	191.80	191.80	141.60	141.60	15.60	20.80	8.20	5.1	5.7	—	—
RTR362796	219.20	219.20	150.50	150.50	31.20	20.80	8.20	5.8	6.4	—	—
RTR392496	204.10	204.10	150.60	150.60	17.10	20.80	8.20	5.6	6.2	—	—
RTR392796	233.70	233.70	159.90	159.90	34.20	20.80	8.20	6.3	7.0	—	—

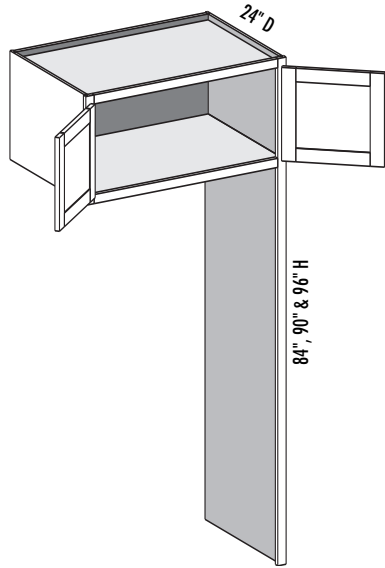
TALL CABINETS

Cabinet Systems

Options Key: D=Number of Doors DF=Number of Drawer Fronts DB=Drawer Box EXT=Extended Stiles EXP=Exposed End FL=Flush End MI=Matching Interior STR=Shaped Top Rail FT=Flush Toe FTRA=Flush Toe with Roman Arch Shape
*Wood shelf upgrade



RTR - Refrigerator Tall Right w/Butt Doors



D	DF	DB	EXT	EXP	FL	MI	STR	FT	FTRA
2			✓	✓	✓	✓	✓		

- Middle numbers in the cabinet code refer to the height of the wall cabinet (example: RTB331284 has a 12" high wall cabinet)
- Pioneer refrigerator tall cabinets have Craftsman (plywood) prefinished tall sides
- Tall sides on 96" unit are a full 96" high
- 21" high and 24" high wall cabinets have one shelf
- 27" high wall cabinet has two shelves

Cabinet Code	Craftsman		Pioneer			Flush End (ea.)	Exposed End (ea.)	Doors		Drawer Fronts	
	3-sided	4-sided	3-sided	4-sided	Shelf*			1/2"	1 1/4"	1/2"	1 1/4"
RTR331284BD	\$145.40	\$145.40	\$119.10	\$119.10	—	\$18.20	\$7.10	2.1	2.6	—	—
RTR331584BD	147.70	147.70	120.40	120.40	—	18.20	7.10	2.8	3.3	—	—
RTR331884BD	150.00	150.00	121.60	121.60	—	18.20	7.10	3.4	3.9	—	—
RTR361284BD	149.00	149.00	120.90	120.90	—	18.20	7.10	2.4	2.8	—	—
RTR361584BD	151.30	151.30	122.30	122.30	—	18.20	7.10	3.1	3.6	—	—
RTR361884BD	153.70	153.70	123.60	123.60	—	18.20	7.10	3.8	4.3	—	—
RTR331890BD	152.90	152.90	124.40	124.40	—	19.50	7.60	3.4	3.9	—	—
RTR332190BD	178.80	178.80	133.30	133.30	14.10	19.50	7.60	4.1	4.6	—	—
RTR332490BD	181.10	181.10	134.50	134.50	14.10	19.50	7.60	4.7	5.3	—	—
RTR361890BD	156.70	156.70	126.40	126.40	—	19.50	7.60	3.8	4.3	—	—
RTR362190BD	184.80	184.80	135.90	135.90	15.60	19.50	7.60	4.5	5.0	—	—
RTR362490BD	187.20	187.20	137.30	137.30	15.60	19.50	7.60	5.2	5.8	—	—
RTR332496BD	184.20	184.20	137.40	137.40	14.10	20.80	8.20	4.7	5.3	—	—
RTR332796BD	209.10	209.10	145.50	145.50	28.30	20.80	8.20	5.4	6.0	—	—
RTR362496BD	190.20	190.20	140.00	140.00	15.60	20.80	8.20	5.2	5.8	—	—
RTL362796BD	217.40	217.40	148.70	148.70	31.20	20.80	8.20	5.9	6.5	—	—

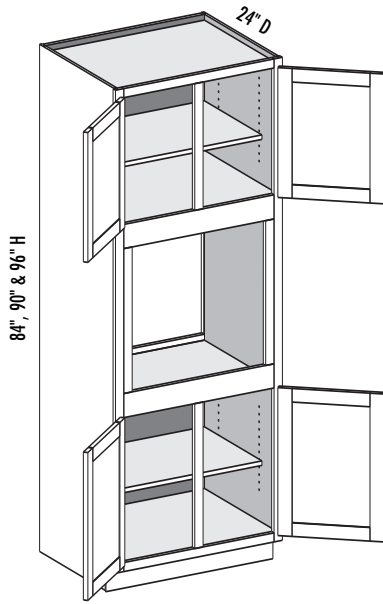
TALL CABINETS

Cabinet Systems

Options Key: D=Number of Doors DF=Number of Drawer Fronts DB=Drawer Box EXT=Extended Stiles EXP=Exposed End FL=Flush End
 MI=Matching Interior STR=Shaped Top Rail FT=Flush Toe FTRA=Flush Toe with Roman Arch Shape
 *Wood shelf upgrade



OS - Oven Single Opening



D	DF	DB	EXT	EXP	FL	MI	STR	FT	FTRA
4			✓	✓	✓	✓		✓	✓

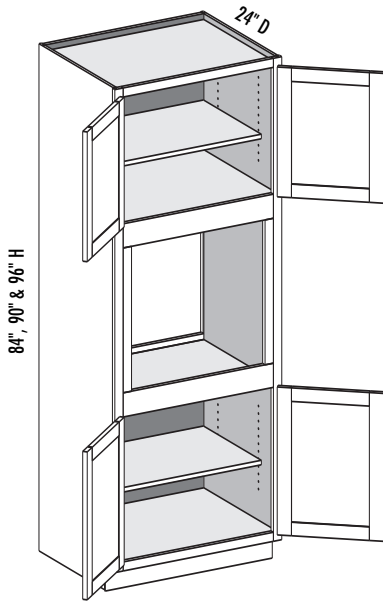
- 84" units have two shelves
- 90" and 96" have three shelves
- 96" units have separate 4" toe platform
- Oven opening is 24" high, width is 6" less than cabinet width
- Oven opening is trimmable 3" in width and 5" in height
- Oven opening is 33-1/2" above the floor, trimmable to 31"

Cabinet Code	Craftsman		Pioneer			Flush End (ea.)	Exposed End (ea.)	Doors		Drawer Fronts	
	3-sided	4-sided	3-sided	4-sided	Shelf*			1/2"	1 1/4"	1/2"	1 1/4"
OS2784	\$274.70	\$274.70	\$172.90	\$172.90	\$17.80	\$18.20	\$7.10	8.0	9.0	—	—
OS3084	292.60	292.60	184.50	184.50	20.20	18.20	7.10	9.0	10.0	—	—
OS3384	304.40	304.40	190.10	190.10	22.60	18.20	7.10	10.0	11.1	—	—
OS2790	297.70	297.70	182.40	182.40	26.60	19.50	7.60	9.0	10.1	—	—
OS3090	317.50	317.50	194.40	194.40	30.30	19.50	7.60	10.1	11.2	—	—
OS3390	331.20	331.20	200.50	200.50	33.90	19.50	7.60	11.2	12.4	—	—
OS2796	321.60	321.60	203.20	203.20	26.60	20.00	7.80	10.0	11.1	—	—
OS3096	341.80	341.80	215.60	215.60	30.30	20.00	7.80	11.3	12.4	—	—
OS3396	359.50	359.50	222.20	222.20	33.90	20.00	7.80	12.5	13.7	—	—

Options Key: D=Number of Doors DF=Number of Drawer Fronts DB=Drawer Box EXT=Extended Stiles EXP=Exposed End FL=Flush End
 MI=Matching Interior STR=Shaped Top Rail FT=Flush Toe FTRA=Flush Toe with Roman Arch Shape
 *Wood shelf upgrade



OS - Oven Single Opening w/Butt Doors



D	DF	DB	EXT	EXP	FL	MI	STR	FT	FTRA
4			✓	✓	✓	✓	✓	✓	✓

- 84" units have two shelves
- 90" and 96" have three shelves
- 96" units have separate 4" toe platform
- Oven opening is 24" high, width is 6" less than cabinet width
- Oven opening is trimmable 3" in width and 5" in height
- Oven opening is 33-1/2" above the floor, trimmable to 31"

Cabinet Code	Craftsman		Pioneer			Flush End (ea.)	Exposed End (ea.)	Doors		Drawer Fronts	
	3-sided	4-sided	3-sided	4-sided	Shelf*			1/2"	1 1/4"	1/2"	1 1/4"
OS2784BD	\$271.60	\$271.60	\$169.80	\$169.80	\$17.80	\$18.20	\$7.10	8.1	9.1	—	—
OS3084BD	289.50	289.50	181.40	181.40	20.20	18.20	7.10	9.1	10.1	—	—
OS3384BD	301.30	301.30	187.00	187.00	22.60	18.20	7.10	10.1	11.2	—	—
OS2790BD	294.10	294.10	178.80	178.80	26.60	19.50	7.60	9.2	10.2	—	—
OS3090BD	313.90	313.90	190.80	190.80	30.30	19.50	7.60	10.3	11.4	—	—
OS3390BD	327.60	327.60	196.90	196.90	33.90	19.50	7.60	11.4	12.5	—	—
OS2796BD	317.60	317.60	199.20	199.20	26.60	20.00	7.80	10.2	11.3	—	—
OS3096BD	337.90	337.90	211.70	211.70	30.30	20.00	7.80	11.4	12.6	—	—
OS3396BD	352.10	352.10	218.30	218.30	33.90	20.00	7.80	12.7	13.9	—	—

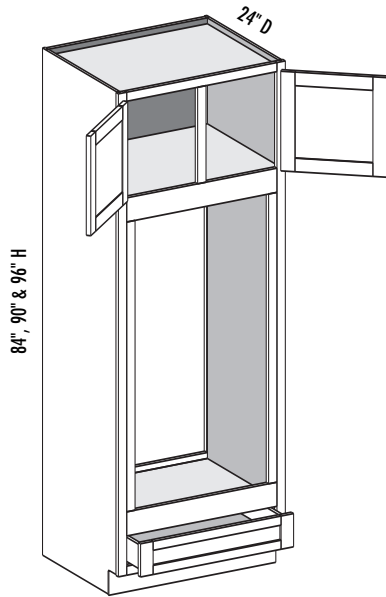
TALL CABINETS

Cabinet Systems

Options Key: D=Number of Doors DF=Number of Drawer Fronts DB=Drawer Box EXT=Extended Stiles EXP=Exposed End FL=Flush End
 MI=Matching Interior STR=Shaped Top Rail FT=Flush Toe FTRA=Flush Toe with Roman Arch Shape
 *Wood shelf upgrade



ODA - Oven Double Opening Type A

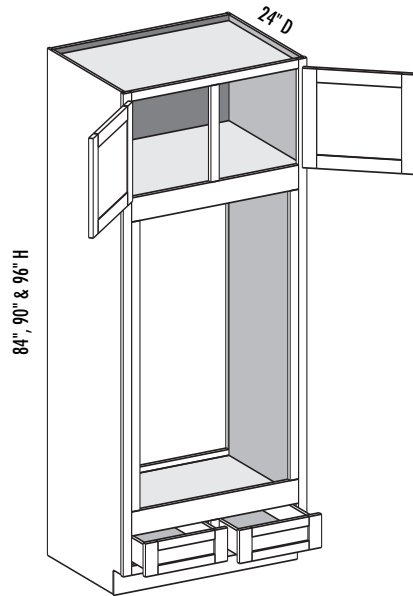


D	DF	DB	EXT	EXP	FL	MI	STR	FT	FTRA
2	1	1	✓	✓	✓	✓		✓	✓

- 90" unit has one shelf
- 96" unit has two shelves
- 96" units have separate 4" toe platform
- Oven opening is 48" high, width is 6" less than cabinet width
- Oven opening is trimmable 3" in width and 5" in height
- Oven opening is 14-1/2" above the floor, trimmable to 12"

Cabinet Code	Craftsman		Pioneer			Flush End (ea.)	Exposed End (ea.)	Doors		Drawer Fronts	
	3-sided	4-sided	3-sided	4-sided	Shelf*			1/2"	1 1/4"	1/2"	1 1/4"
ODA2784	\$258.60	\$269.70	\$177.90	\$189.00	—	\$18.20	\$7.10	2.9	3.3	1.0	1.3
ODA2790	281.70	292.80	187.40	198.50	8.90	19.50	7.60	3.9	4.4	1.0	1.3
ODA2796	320.60	331.70	213.10	224.20	17.80	20.00	7.80	4.9	5.5	1.0	1.3

ODA - Oven Double Opening Type A



D	DF	DB	EXT	EXP	FL	MI	STR	FT	FTRA
2	2	2	✓	✓	✓	✓		✓	✓

- 90" unit has one shelf
- 96" unit has two shelves
- 96" units have separate 4" toe platform
- Oven opening is 48" high, width is 6" less than cabinet width
- Oven opening is trimmable 3" in width and 5" in height
- Oven opening is 14-1/2" above the floor, trimmable to 12"

Cabinet Code	Craftsman		Pioneer			Flush End (ea.)	Exposed End (ea.)	Doors		Drawer Fronts	
	3-sided	4-sided	3-sided	4-sided	Shelf*			1/2"	1 1/4"	1/2"	1 1/4"
ODA3084	\$284.80	\$305.50	\$200.70	\$221.40	—	\$18.20	\$7.10	3.2	3.7	1.1	1.5
ODA3384	293.30	314.30	205.80	226.80	—	18.20	7.10	3.6	4.1	1.3	1.6
ODA3090	309.80	330.50	210.60	231.30	10.10	19.50	7.60	4.4	4.9	1.1	1.5
ODA3390	320.20	341.20	216.30	237.30	11.30	19.50	7.60	4.9	5.4	1.3	1.6

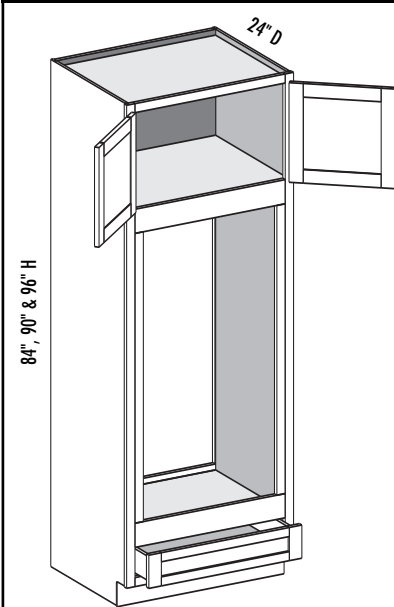
Options Key: D=Number of Doors DF=Number of Drawer Fronts DB=Drawer Box EXT=Extended Stiles EXP=Exposed End FL=Flush End MI=Matching Interior STR=Shaped Top Rail FT=Flush Toe FTRA=Flush Toe with Roman Arch Shape
*Wood shelf upgrade



ODA - Oven Double Opening Type A - continued

Cabinet Code	Craftsman		Pioneer			Flush End (ea.)	Exposed End (ea.)	Doors		Drawer Fronts	
	3-sided	4-sided	3-sided	4-sided	Shelf*			1/2"	1 1/4"	1/2"	1 1/4"
ODA3096	351.10	371.80	237.40	258.10	20.20	20.00	7.80	5.5	6.1	1.1	1.5
ODA3396	363.70	384.70	243.80	264.80	22.60	20.00	7.80	6.1	6.7	1.3	1.6

ODA - Oven Double Opening Type A w/Butt Doors



D	DF	DB	EXT	EXP	FL	MI	STR	FT	FTRA
2	1	1	✓	✓	✓	✓	✓	✓	✓

- 90" unit has one shelf
- 96" unit has two shelves
- 96" units have separate 4" toe platform
- Oven opening is 48" high, width is 6" less than cabinet width
- Oven opening is trimmable 3" in width and 5" in height
- Oven opening is 14-1/2" above the floor, trimmable to 12"

Cabinet Code	Craftsman		Pioneer			Flush End (ea.)	Exposed End (ea.)	Doors		Drawer Fronts	
	3-sided	4-sided	3-sided	4-sided	Shelf*			1/2"	1 1/4"	1/2"	1 1/4"
ODA2784BD	\$257.40	\$268.50	\$176.70	\$187.80	—	\$18.20	\$7.10	2.9	3.3	1.0	1.3
ODA3084BD	272.40	283.70	188.30	199.60	—	18.20	7.10	3.3	3.7	1.2	1.5
ODA3384BD	281.00	292.40	193.50	204.90	—	18.20	7.10	3.6	4.1	1.3	1.6
ODA2790BD	279.90	291.00	185.60	196.70	8.90	19.50	7.60	4.0	4.4	1.0	1.3
ODA3090BD	296.80	308.10	197.60	208.90	10.10	19.50	7.60	4.5	4.9	1.2	1.5
ODA3390BD	307.30	318.70	203.40	214.80	11.30	19.50	7.60	4.9	5.5	1.3	1.6
ODA2796BD	318.50	329.60	211.00	222.10	17.80	20.00	7.80	5.0	5.5	1.0	1.3
ODA3096BD	337.70	349.00	224.00	235.30	20.20	20.00	7.80	5.6	6.2	1.2	1.5
ODA3396BD	350.40	361.80	230.50	241.90	22.60	20.00	7.80	6.2	6.8	1.3	1.6

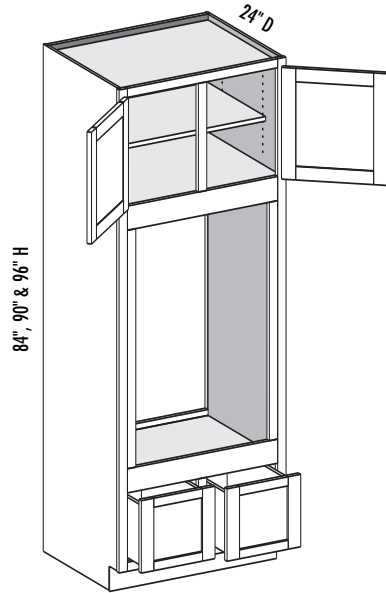
TALL CABINETS

Cabinet Systems

Options Key: D=Number of Doors DF=Number of Drawer Fronts DB=Drawer Box EXT=Extended Stiles EXP=Exposed End FL=Flush End
 MI=Matching Interior STR=Shaped Top Rail FT=Flush Toe FTRA=Flush Toe with Roman Arch Shape
 *Wood shelf upgrade



ODB - Oven Double Opening Type B



D	DF	DB	EXT	EXP	FL	MI	STR	FT	FTRA
2	2	2	✓	✓	✓	✓		✓	✓

- 84" unit has one shelf
- 90" and 96" units have two shelves
- 96" units have separate 4" toe platform
- Oven opening is 39-1/2" high, width is 6" less than cabinet width
- Oven opening is trimmable 3" in width and 5" in height
- Oven opening is 21" above the floor, trimmable to 18-1/2"

Cabinet Code	Craftsman		Pioneer			Flush End (ea.)	Exposed End (ea.)	Doors		Drawer Fronts	
	3-sided	4-sided	3-sided	4-sided	Shelf*			1/2"	1 1/4"	1/2"	1 1/4"
ODB3084	\$324.20	\$349.30	\$228.30	\$253.40	\$10.10	\$18.20	\$7.10	3.6	4.1	2.4	2.8
ODB3384	335.20	361.00	234.50	260.30	11.30	18.20	7.10	4.0	4.5	2.6	3.1
ODB3090	349.10	374.20	238.10	263.20	20.20	19.50	7.60	4.8	5.3	2.4	2.8
ODB3390	362.10	387.90	244.90	270.70	22.60	19.50	7.60	5.3	5.8	2.6	3.1
ODB3096	373.50	398.60	259.40	284.50	20.20	20.00	7.80	5.9	6.5	2.4	2.8
ODB3396	386.90	412.70	266.60	292.40	22.60	20.00	7.80	6.6	7.2	2.6	3.1

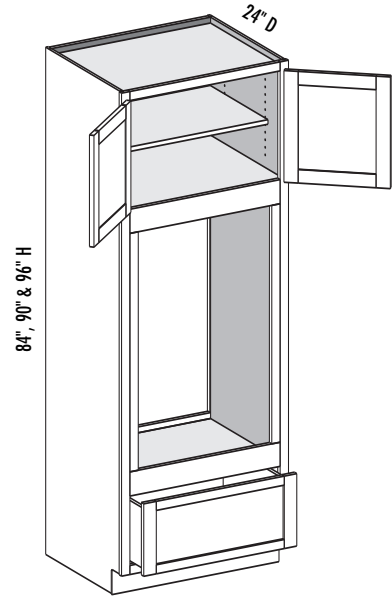
TALL CABINETS

Cabinet Systems

Options Key: D=Number of Doors DF=Number of Drawer Fronts DB=Drawer Box EXT=Extended Stiles EXP=Exposed End FL=Flush End
 MI=Matching Interior STR=Shaped Top Rail FT=Flush Toe FTRA=Flush Toe with Roman Arch Shape
 *Wood shelf upgrade



ODB - Oven Double Opening Type B w/Butt Doors



D	DF	DB	EXT	EXP	FL	MI	STR	FT	FTRA
2	1	1	✓	✓	✓	✓	✓	✓	✓

- 84" unit has one shelf
- 90" and 96" units have two shelves
- 96" units have separate 4" toe platform
- Oven opening is 39-1/2" high, width is 6" less than cabinet width
- Oven opening is trimmable 3" in width and 5" in height
- Oven opening is 21" above the floor, trimmable to 18-1/2"

Cabinet Code	Craftsman		Pioneer			Flush End (ea.)	Exposed End (ea.)	Doors		Drawer Fronts	
	3-sided	4-sided	3-sided	4-sided	Shelf*			1/2"	1 1/4"	1/2"	1 1/4"
ODB3084BD	\$302.90	\$319.10	\$207.00	\$223.20	\$10.10	\$18.20	\$7.10	3.7	4.1	2.4	2.8
ODB3384BD	314.00	330.80	213.30	230.10	11.30	18.20	7.10	4.1	4.6	2.7	3.1
ODB3090BD	327.40	343.60	216.40	232.60	20.20	19.50	7.60	4.8	5.4	2.4	2.8
ODB3390BD	340.50	357.30	223.30	240.10	22.60	19.50	7.60	5.4	5.9	2.7	3.1
ODB3096BD	351.30	367.50	237.20	253.40	20.20	20.00	7.80	6.0	6.6	2.4	2.
ODB3396BD	364.90	381.70	244.60	261.40	22.60	20.00	7.80	6.6	7.3	2.7	3.1

TALL CABINETS

Cabinet Systems

Options Key: D=Number of Doors DF=Number of Drawer Fronts DB=Drawer Box EXT=Extended Stiles EXP=Exposed End FL=Flush End MI=Matching Interior STR=Shaped Top Rail FT=Flush Toe FTRA=Flush Toe with Roman Arch Shape *Wood shelf upgrade