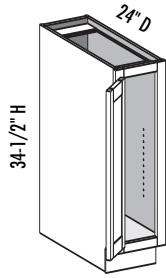




B - Base

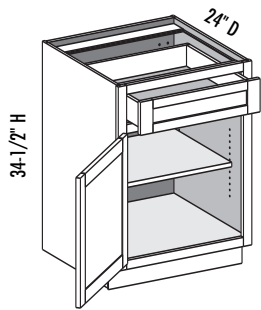


D	DF	DB	EXT	EXP	FL	MI	STR	FT	FTRA
1			✓	✓	✓	✓		✓	

- No shelf

Cabinet Code	Craftsman		Pioneer			Flush End (ea.)	Exposed End (ea.)	Doors		Drawer Fronts	
	3-sided	4-sided	3-sided	4-sided	Shelf*			1/2"	1 1/4"	1/2"	1 1/4"
B0934.5	\$76.50	\$76.50	51.00	\$51.00	—	\$7.50	\$4.70	1.4	1.8	—	—

B - Base

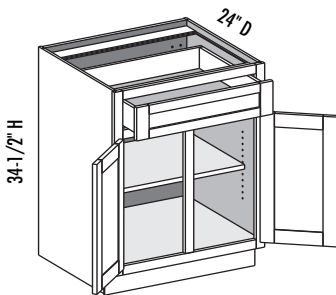


D	DF	DB	EXT	EXP	FL	MI	STR	FT	FTRA
1	1	1	✓	✓	✓	✓		✓	✓

- FTRA not available on 12" wide cabinet

Cabinet Code	Craftsman		Pioneer			Flush End (ea.)	Exposed End (ea.)	Doors		Drawer Fronts	
	3-sided	4-sided	3-sided	4-sided	Shelf*			1/2"	1 1/4"	1/2"	1 1/4"
B1234.5	\$98.20	\$108.40	\$70.30	\$80.50	\$3.00	\$7.50	\$4.70	1.5	1.9	0.4	0.5
B1534.5	104.20	114.50	73.90	84.20	4.00	7.50	4.70	2.0	2.3	0.5	0.6
B1834.5	110.20	120.70	77.40	87.90	5.20	7.50	4.70	2.4	2.8	0.7	0.8
B2134.5	116.20	126.90	81.20	91.90	6.40	7.50	4.70	2.9	3.3	0.8	0.9
B2434.5	122.10	133.00	84.70	95.60	7.60	7.50	4.70	3.4	3.8	0.9	1.0

B - Base



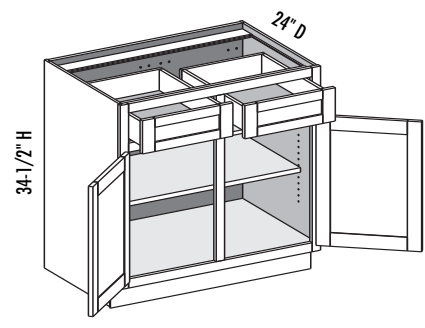
D	DF	DB	EXT	EXP	FL	MI	STR	FT	FTRA
2	1	1	✓	✓	✓	✓		✓	✓

Cabinet Code	Craftsman		Pioneer			Flush End (ea.)	Exposed End (ea.)	Doors		Drawer Fronts	
	3-sided	4-sided	3-sided	4-sided	Shelf*			1/2"	1 1/4"	1/2"	1 1/4"
B2734.5	\$131.40	\$142.50	\$91.60	\$102.70	\$8.80	\$7.50	\$4.70	3.7	4.2	1.0	1.2

Options Key: D=Number of Doors DF=Number of Drawer Fronts DB=Drawer Box EXT=Extended Stiles EXP=Exposed End FL=Flush End MI=Matching Interior STR=Shaped Top Rail FT=Flush Toe FTRA=Flush Toe with Roman Arch Shape
 *Wood shelf upgrade



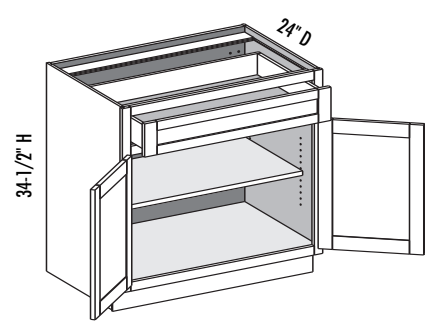
B - Base



D	DF	DB	EXT	EXP	FL	MI	STR	FT	FTRA
2	2	2	✓	✓	✓	✓		✓	✓

Cabinet Code	Craftsman		Pioneer			Flush End (ea.)	Exposed End (ea.)	Doors		Drawer Fronts	
	3-sided	4-sided	3-sided	4-sided	Shelf*			1/2"	1 1/4"	1/2"	1 1/4"
B3034.5	\$148.90	\$169.60	\$106.80	\$127.50	\$10.00	\$7.50	\$4.70	4.2	4.7	1.1	1.3
B3334.5	154.70	175.70	110.30	131.30	11.20	7.50	4.70	4.7	5.2	1.3	1.4
B3634.5	160.80	181.90	113.90	135.00	12.40	7.50	4.70	5.1	5.7	1.4	1.5
B3934.5	167.50	188.80	118.40	139.70	13.60	7.50	4.70	5.6	6.1	1.5	1.6
B4234.5	173.60	195.10	122.00	143.50	14.80	7.50	4.70	6.0	6.6	1.6	1.8
B4534.5	179.50	201.20	125.50	147.20	16.10	7.50	4.70	6.5	7.1	1.8	1.9
B4834.5	185.50	207.30	129.20	151.00	17.30	7.50	4.70	7.0	7.6	1.9	2.0

B - Base w/Butt Doors



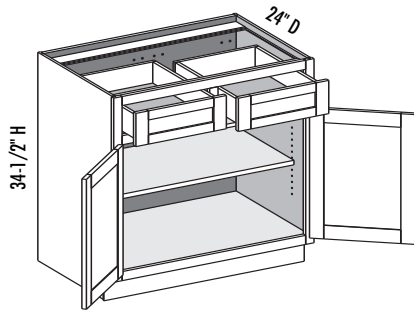
D	DF	DB	EXT	EXP	FL	MI	STR	FT	FTRA
2	1	1	✓	✓	✓	✓		✓	✓

Cabinet Code	Craftsman		Pioneer			Flush End (ea.)	Exposed End (ea.)	Doors		Drawer Fronts	
	3-sided	4-sided	3-sided	4-sided	Shelf*			1/2"	1 1/4"	1/2"	1 1/4"
B2434.5BD	\$122.10	\$133.00	\$84.70	\$95.60	\$7.60	\$7.50	\$4.70	3.3	3.8	0.9	1.0
B2734.5BD	128.60	139.70	88.80	99.90	8.80	7.50	4.70	3.8	4.3	1.0	1.2
B3034.5BD	134.50	145.80	92.40	103.70	10.00	7.50	4.70	4.3	4.7	1.2	1.3
B3334.5BD	140.50	151.90	96.00	107.40	11.20	7.50	4.70	4.7	5.2	1.3	1.4
B3634.5BD	146.50	158.20	99.70	111.40	12.40	7.50	4.70	5.2	5.7	1.4	1.5

Options Key: D=Number of Doors DF=Number of Drawer Fronts DB=Drawer Box EXT=Extended Stiles EXP=Exposed End FL=Flush End MI=Matching Interior STR=Shaped Top Rail FT=Flush Toe FTRA=Flush Toe with Roman Arch Shape
 *Wood shelf upgrade



B - Base w/Butt Doors and 2 Drawers

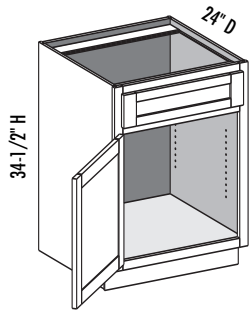


D	DF	DB	EXT	EXP	FL	MI	STR	FT	FTRA
2	2	2	✓	✓	✓	✓		✓	✓

- Drawer fronts will not line up with doors in center.

Cabinet Code	Craftsman		Pioneer			Flush End (ea.)	Exposed End (ea.)	Doors		Drawer Fronts	
	3-sided	4-sided	3-sided	4-sided	Shelf*			1/2"	1 1/4"	1/2"	1 1/4"
B3034.5BD2D	\$147.70	\$168.40	\$105.60	\$126.30	\$10.00	\$7.50	\$4.70	4.3	4.7	1.1	1.3
B3334.5BD2D	153.60	174.60	109.10	130.10	11.20	7.50	4.70	4.7	5.2	1.3	1.4
B3634.5BD2D	159.70	180.80	112.90	134.00	12.40	7.50	4.70	5.2	5.7	1.4	1.5

BS - Base Sink

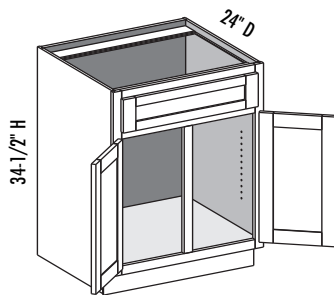


D	DF	DB	EXT	EXP	FL	MI	STR	FT	FTRA
1	1		✓	✓	✓	✓		✓	✓

- False drawer front
- No drawer parts or shelf with sink units

Cabinet Code	Craftsman		Pioneer			Flush End (ea.)	Exposed End (ea.)	Doors		Drawer Fronts	
	3-sided	4-sided	3-sided	4-sided	Shelf*			1/2"	1 1/4"	1/2"	1 1/4"
BS2434.5	\$92.40	\$92.40	\$63.60	\$63.60	—	\$7.50	\$4.70	3.4	3.8	0.9	1.0

BS - Base Sink



D	DF	DB	EXT	EXP	FL	MI	STR	FT	FTRA
2	1		✓	✓	✓	✓		✓	✓

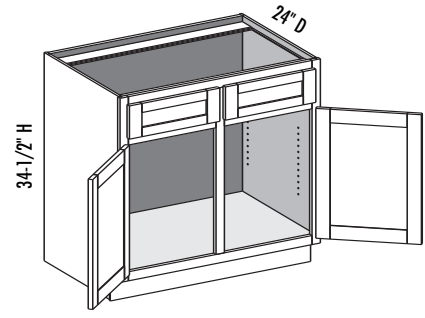
- False drawer front
- No drawer parts or shelf with sink units.

Cabinet Code	Craftsman		Pioneer			Flush End (ea.)	Exposed End (ea.)	Doors		Drawer Fronts	
	3-sided	4-sided	3-sided	4-sided	Shelf*			1/2"	1 1/4"	1/2"	1 1/4"
BS2734.5	\$99.10	\$99.10	\$69.20	\$69.20	—	\$7.50	\$4.70	3.7	4.2	1.0	1.2

Options Key: D=Number of Doors DF=Number of Drawer Fronts DB=Drawer Box EXT=Extended Stiles EXP=Exposed End FL=Flush End MI=Matching Interior STR=Shaped Top Rail FT=Flush Toe FTRA=Flush Toe with Roman Arch Shape
*Wood shelf upgrade



BS - Base Sink

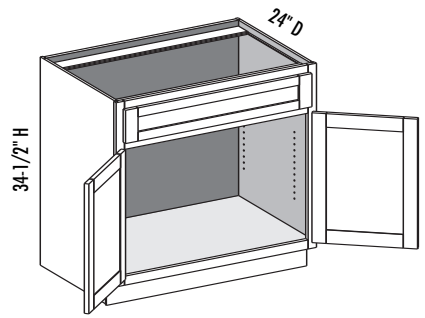


D	DF	DB	EXT	EXP	FL	MI	STR	FT	FTRA
2	2		✓	✓	✓	✓		✓	✓

- Two false drawer fronts
- No drawer parts or shelf with sink units

Cabinet Code	Craftsman		Pioneer			Flush End (ea.)	Exposed End (ea.)	Doors		Drawer Fronts	
	3-sided	4-sided	3-sided	4-sided	Shelf*			1/2"	1 1/4"	1/2"	1 1/4"
BS3034.5	\$101.40	\$101.40	\$70.60	\$70.60	—	\$7.50	\$4.70	4.2	4.7	1.1	1.3
BS3334.5	104.80	104.80	72.90	72.90	—	7.50	4.70	4.7	5.2	1.3	1.4
BS3634.5	108.10	108.10	75.20	75.20	—	7.50	4.70	5.1	5.7	1.4	1.5
BS3934.5	112.40	112.40	78.50	78.50	—	7.50	4.70	5.6	6.1	1.5	1.6
BS4234.5	115.70	115.70	80.80	80.80	—	7.50	4.70	6.0	6.6	1.6	1.8
BS4534.5	119.20	119.20	83.30	83.30	—	7.50	4.70	6.5	7.1	1.8	1.9
BS4834.5	122.60	122.60	85.60	85.60	—	7.50	4.70	7.0	7.6	1.9	2.0

BS - Base Sink w/Butt Doors



D	DF	DB	EXT	EXP	FL	MI	STR	FT	FTRA
2	1		✓	✓	✓	✓		✓	✓

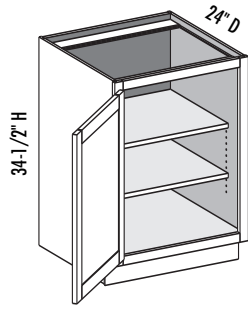
- False drawer front
- No drawer parts or shelf with sink units

Cabinet Code	Craftsman		Pioneer			Flush End (ea.)	Exposed End (ea.)	Doors		Drawer Fronts	
	3-sided	4-sided	3-sided	4-sided	Shelf*			1/2"	1 1/4"	1/2"	1 1/4"
BS2434.5BD	\$92.40	\$92.40	\$63.60	\$63.60	—	\$7.50	\$4.70	3.3	3.8	0.9	1.0
BS2734.5BD	96.30	96.30	66.40	66.40	—	7.50	4.70	3.8	4.3	1.0	1.2
BS3034.5BD	99.60	99.60	68.80	68.80	—	7.50	4.70	4.3	4.7	1.2	1.3
BS3334.5BD	103.00	103.00	71.10	71.10	—	7.50	4.70	4.7	5.2	1.3	1.4
BS3634.5BD	106.40	106.40	73.50	73.50	—	7.50	4.70	5.2	5.7	1.4	1.5

Options Key: D=Number of Doors DF=Number of Drawer Fronts DB=Drawer Box EXT=Extended Stiles EXP=Exposed End FL=Flush End MI=Matching Interior STR=Shaped Top Rail FT=Flush Toe FTRA=Flush Toe with Roman Arch Shape
 *Wood shelf upgrade



BFD - Base Full Door

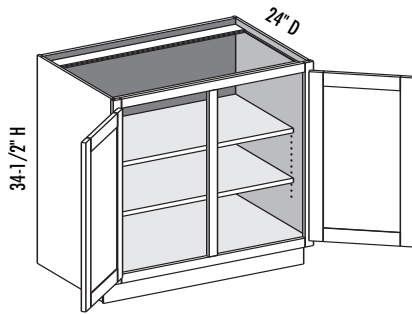


D	DF	DB	EXT	EXP	FL	MI	STR	FT	FTRA
1			✓	✓	✓	✓	✓	✓	✓

• FTRA/STR not available on 12" wide cabinet

Cabinet Code	Craftsman		Pioneer			Flush End (ea.)	Exposed End (ea.)	Doors		Drawer Fronts	
	3-sided	4-sided	3-sided	4-sided	Shelf*			1/2"	1 1/4"	1/2"	1 1/4"
BFD1234.5	\$88.40	\$88.40	\$57.20	\$57.20	\$5.50	\$7.50	\$4.70	2.0	2.4	—	—
BFD1534.5	95.00	95.00	60.20	60.20	7.90	7.50	4.70	2.6	3.0	—	—
BFD1834.5	101.70	101.70	63.10	63.10	10.30	7.50	4.70	3.2	3.6	—	—
BFD2134.5	108.40	108.40	66.10	66.10	12.70	7.50	4.70	3.8	4.3	—	—
BFD2434.5	115.10	115.10	69.00	69.00	15.20	7.50	4.70	4.4	4.9	—	—

BFD - Base Full Door



D	DF	DB	EXT	EXP	FL	MI	STR	FT	FTRA
2			✓	✓	✓	✓		✓	✓

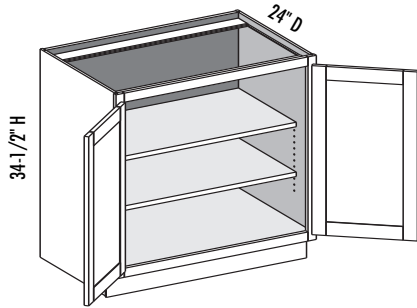
• 36", 39", 42", 45" and 48" available in 27" depth - \$50.00 per cabinet

Cabinet Code	Craftsman		Pioneer			Flush End (ea.)	Exposed End (ea.)	Doors		Drawer Fronts	
	3-sided	4-sided	3-sided	4-sided	Shelf*			1/2"	1 1/4"	1/2"	1 1/4"
BFD2734.5	\$125.30	\$125.30	\$75.60	\$75.60	\$17.70	\$7.50	\$4.70	4.8	5.4	—	—
BFD3034.5	132.00	132.00	78.60	78.60	20.10	7.50	4.70	5.4	6.0	—	—
BFD3334.5	138.70	138.70	81.60	81.60	22.50	7.50	4.70	6.0	6.7	—	—
BFD3634.5	145.40	145.40	84.40	84.40	25.00	7.50	4.70	6.6	7.3	—	—
BFD3934.5	152.70	152.70	88.20	88.20	27.40	7.50	4.70	7.2	7.9	—	—
BFD4234.5	159.50	159.50	91.20	91.20	29.80	7.50	4.70	7.8	8.5	—	—
BFD4534.5	166.20	166.20	94.20	94.20	32.20	7.50	4.70	8.4	9.2	—	—
BFD4834.5	172.80	172.80	97.10	97.10	34.60	7.50	4.70	9.0	9.8	—	—

Options Key: D=Number of Doors DF=Number of Drawer Fronts DB=Drawer Box EXT=Extended Stiles EXP=Exposed End FL=Flush End
 MI=Matching Interior STR=Shaped Top Rail FT=Flush Toe FTRA=Flush Toe with Roman Arch Shape
 *Wood shelf upgrade



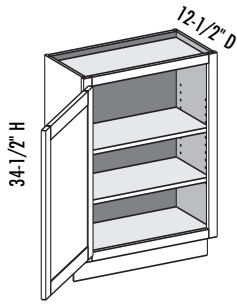
BFD - Base Full Door w/Butt Doors



D	DF	DB	EXT	EXP	FL	MI	STR	FT	FTRA
2			✓	✓	✓	✓	✓	✓	✓

Cabinet Code	Craftsman		Pioneer			Flush End (ea.)	Exposed End (ea.)	Doors		Drawer Fronts	
	3-sided	4-sided	3-sided	4-sided	Shelf*			1/2"	1 1/4"	1/2"	1 1/4"
BFD2434.5BD	\$115.10	\$115.10	\$69.00	\$69.00	\$15.20	\$7.50	\$4.70	4.3	4.9	—	—
BFD2734.5BD	122.00	122.00	72.30	72.30	17.70	7.50	4.70	4.9	5.5	—	—
BFD3034.5BD	128.80	128.80	75.40	75.40	20.10	7.50	4.70	5.5	6.1	—	—
BFD3334.5BD	135.40	135.40	78.30	78.30	22.50	7.50	4.70	6.1	6.7	—	—
BFD3634.5BD	142.10	142.10	81.10	81.10	25.00	7.50	4.70	6.7	7.4	—	—

BWD - Base Wall Depth



D	DF	DB	EXT	EXP	FL	MI	STR	FT	FTRA
1			✓	✓	✓	✓	✓	✓	✓

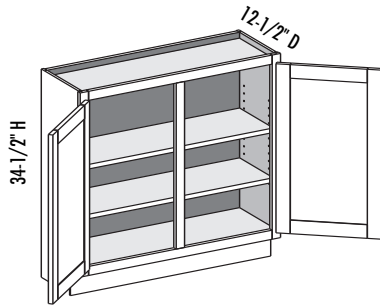
• FTRA/STR not available on 12" wide cabinet

Cabinet Code	Craftsman		Pioneer			Flush End (ea.)	Exposed End (ea.)	Doors		Drawer Fronts	
	3-sided	4-sided	3-sided	4-sided	Shelf*			1/2"	1 1/4"	1/2"	1 1/4"
BWD1234.5	\$64.20	\$64.20	\$48.20	\$48.20	\$3.00	\$3.80	\$2.40	2.0	2.4	—	—
BWD1534.5	68.70	68.70	50.70	50.70	3.40	3.80	2.40	2.6	3.0	—	—
BWD1834.5	73.30	73.30	53.00	53.00	4.90	3.80	2.40	3.2	3.6	—	—
BWD2134.5	78.00	78.00	55.60	55.60	6.20	3.80	2.40	3.8	4.3	—	—
BWD2434.5	82.50	82.50	57.90	57.90	7.70	3.80	2.40	4.4	4.9	—	—

Options Key: D=Number of Doors DF=Number of Drawer Fronts DB=Drawer Box EXT=Extended Stiles EXP=Exposed End FL=Flush End
 MI=Matching Interior STR=Shaped Top Rail FT=Flush Toe FTRA=Flush Toe with Roman Arch Shape
 *Wood shelf upgrade



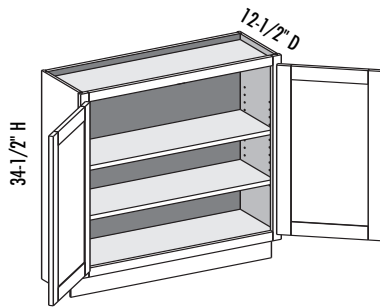
BWD - Base Wall Depth



D	DF	DB	EXT	EXP	FL	MI	STR	FT	FTRA
2			✓	✓	✓	✓		✓	✓

Cabinet Code	Craftsman		Pioneer			Flush End (ea.)	Exposed End (ea.)	Doors		Drawer Fronts	
	3-sided	4-sided	3-sided	4-sided	Shelf*			1/2"	1 1/4"	1/2"	1 1/4"
BWD2734.5	\$90.80	\$90.80	\$64.10	\$64.10	\$9.10	\$3.80	\$2.40	4.8	5.4	—	—
BWD3034.5	95.30	95.30	66.40	66.40	10.60	3.80	2.40	5.4	6.0	—	—
BWD3334.5	100.10	100.10	68.90	68.90	11.90	3.80	2.40	6.0	6.7	—	—
BWD3634.5	104.60	104.60	71.30	71.30	13.40	3.80	2.40	6.6	7.3	—	—
BWD3934.5	109.90	109.90	74.50	74.50	14.80	3.80	2.40	7.2	7.9	—	—
BWD4234.5	114.60	114.60	77.00	77.00	16.20	3.80	2.40	7.8	8.5	—	—
BWD4534.5	119.20	119.20	79.40	79.40	17.60	3.80	2.40	8.4	9.2	—	—
BWD4834.5	123.80	123.80	81.90	81.90	19.00	3.80	2.40	9.0	9.8	—	—

BWD - Base Wall Depth w/Butt Doors



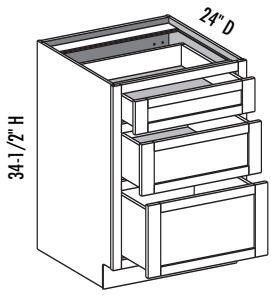
D	DF	DB	EXT	EXP	FL	MI	STR	FT	FTRA
2			✓	✓	✓	✓	✓	✓	✓

Cabinet Code	Craftsman		Pioneer			Flush End (ea.)	Exposed End (ea.)	Doors		Drawer Fronts	
	3-sided	4-sided	3-sided	4-sided	Shelf*			1/2"	1 1/4"	1/2"	1 1/4"
BWD2434.5BD	\$82.50	\$82.50	\$57.90	\$57.90	\$7.70	\$3.80	\$2.40	4.3	4.9	—	—
BWD2734.5BD	87.50	87.50	60.80	60.80	9.10	3.80	2.40	4.9	5.5	—	—
BWD3034.5BD	92.10	92.10	63.20	63.20	10.60	3.80	2.40	5.5	6.1	—	—
BWD3334.5BD	96.80	96.80	65.60	65.60	11.90	3.80	2.40	6.1	6.7	—	—
BWD3634.5BD	101.30	101.30	68.00	68.00	13.40	3.80	2.40	6.7	7.4	—	—

Options Key: D=Number of Doors DF=Number of Drawer Fronts DB=Drawer Box EXT=Extended Stiles EXP=Exposed End FL=Flush End
 MI=Matching Interior STR=Shaped Top Rail FT=Flush Toe FTRA=Flush Toe with Roman Arch Shape
 *Wood shelf upgrade



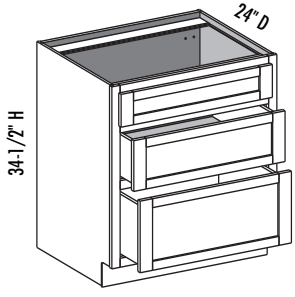
B3D - Base Three Drawer



D	DF	DB	EXT	EXP	FL	MI	STR	FT	FTRA
	3	3	✓	✓	✓	✓		✓	✓

Cabinet Code	Craftsman		Pioneer			Flush End (ea.)	Exposed End (ea.)	Doors		Drawer Fronts	
	3-sided	4-sided	3-sided	4-sided	Shelf*			1/2"	1 1/4"	1/2"	1 1/4"
B3D1234.5	\$140.30	\$174.60	\$115.60	\$149.90	—	\$7.50	\$4.70	—	—	1.9	2.3
B3D1534.5	147.20	183.20	121.20	157.50	—	7.50	4.70	—	—	2.5	2.9
B3D1834.5	155.00	192.60	128.30	165.90	—	7.50	4.70	—	—	3.1	3.5
B3D2134.5	162.10	201.30	134.30	173.50	—	7.50	4.70	—	—	3.6	4.1
B3D2434.5	169.00	209.80	140.30	181.10	—	7.50	4.70	—	—	4.2	4.7
B3D2734.5	176.70	219.20	146.90	189.40	—	7.50	4.70	—	—	4.8	5.3
B3D3034.5	183.70	227.80	152.90	197.00	—	7.50	4.70	—	—	5.3	5.9
B3D3334.5	190.70	236.40	158.90	204.60	—	7.50	4.70	—	—	5.9	6.5
B3D3634.5	197.80	245.10	164.90	212.20	—	7.50	4.70	—	—	6.5	7.1
B3D3934.5	205.40	254.40	171.60	220.60	—	7.50	4.70	—	—	7.1	7.8

BR3D - Base Range Three Drawer



D	DF	DB	EXT	EXP	FL	MI	STR	FT	FTRA
	3	2	✓	✓	✓	✓		✓	✓

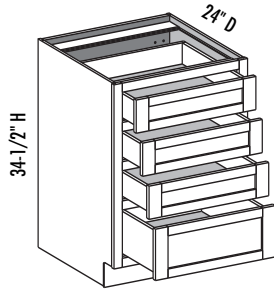
- False top drawer front

Cabinet Code	Craftsman		Pioneer			Flush End (ea.)	Exposed End (ea.)	Doors		Drawer Fronts	
	3-sided	4-sided	3-sided	4-sided	Shelf*			1/2"	1 1/4"	1/2"	1 1/4"
BR3D3034.5	\$164.10	\$198.30	\$133.20	\$167.40	—	\$7.50	\$4.70	—	—	5.3	5.9
BR3D3634.5	176.40	213.50	143.50	180.60	—	7.50	4.70	—	—	6.5	7.1

Options Key: D=Number of Doors DF=Number of Drawer Fronts DB=Drawer Box EXT=Extended Stiles EXP=Exposed End FL=Flush End MI=Matching Interior STR=Shaped Top Rail FT=Flush Toe FTRA=Flush Toe with Roman Arch Shape
*Wood shelf upgrade



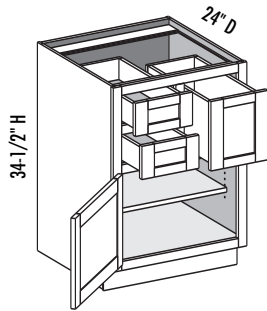
B4D - Base Four Drawer



D	DF	DB	EXT	EXP	FL	MI	STR	FT	FTRA
	4	4	✓	✓	✓	✓		✓	✓

Cabinet Code	Craftsman		Pioneer			Flush End (ea.)	Exposed End (ea.)	Doors		Drawer Fronts	
	3-sided	4-sided	3-sided	4-sided	Shelf*			1/2"	1 1/4"	1/2"	1 1/4"
B4D1234.5	\$144.20	\$187.30	\$119.50	\$162.60	—	\$7.50	\$4.70	—	—	1.9	2.3
B4D1534.5	151.80	196.10	126.00	170.30	—	7.50	4.70	—	—	2.4	2.9
B4D1834.5	160.10	205.60	133.40	178.90	—	7.50	4.70	—	—	3.0	3.5
B4D2134.5	167.50	214.30	139.70	186.50	—	7.50	4.70	—	—	3.6	4.1
B4D2434.5	175.00	223.00	146.30	194.30	—	7.50	4.70	—	—	4.1	4.7
B4D2734.5	183.30	232.50	153.50	202.70	—	7.50	4.70	—	—	4.7	5.2

BC3D - Base Combination Three Drawer



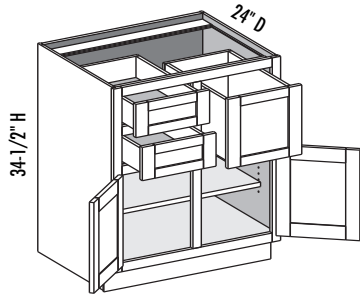
D	DF	DB	EXT	EXP	FL	MI	STR	FT	FTRA
1	3	3	✓	✓	✓	✓		✓	✓

Cabinet Code	Craftsman		Pioneer			Flush End (ea.)	Exposed End (ea.)	Doors		Drawer Fronts	
	3-sided	4-sided	3-sided	4-sided	Shelf*			1/2"	1 1/4"	1/2"	1 1/4"
BC3D2434.5	\$159.70	\$191.80	\$122.20	\$154.30	\$7.60	\$7.50	\$4.70	2.4	2.7	1.8	2.0

Options Key: D=Number of Doors DF=Number of Drawer Fronts DB=Drawer Box EXT=Extended Stiles EXP=Exposed End FL=Flush End
 MI=Matching Interior STR=Shaped Top Rail FT=Flush Toe FTRA=Flush Toe with Roman Arch Shape
 *Wood shelf upgrade



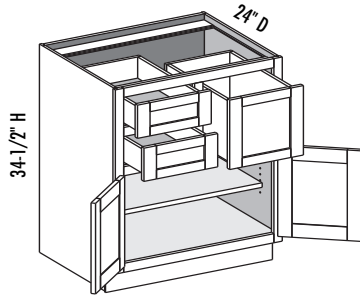
BC3D - Base Combination Three Drawer



D	DF	DB	EXT	EXP	FL	MI	STR	FT	FTRA
2	3	3	✓	✓	✓	✓		✓	✓

Cabinet Code	Craftsman		Pioneer			Flush End (ea.)	Exposed End (ea.)	Doors		Drawer Fronts	
	3-sided	4-sided	3-sided	4-sided	Shelf*			1/2"	1 1/4"	1/2"	1 1/4"
BC3D2734.5	\$173.30	\$205.90	\$133.50	\$166.10	\$8.80	\$7.50	\$4.70	2.6	3.0	2.1	2.3
BC3D3034.5	180.00	213.20	137.80	171.00	10.00	7.50	4.70	3.0	3.3	2.3	2.6
BC3D3334.5	186.80	220.50	142.30	176.00	11.20	7.50	4.70	3.3	3.7	2.6	2.8
BC3D3634.5	193.60	227.90	146.70	181.00	12.40	7.50	4.70	3.6	4.0	2.9	3.1

BC3D - Base Combination Three Drawer w/Butt Doors



D	DF	DB	EXT	EXP	FL	MI	STR	FT	FTRA
2	3	3	✓	✓	✓	✓		✓	✓

- Drawer fronts will not line up with doors in center

Cabinet Code	Craftsman		Pioneer			Flush End (ea.)	Exposed End (ea.)	Doors		Drawer Fronts	
	3-sided	4-sided	3-sided	4-sided	Shelf*			1/2"	1 1/4"	1/2"	1 1/4"
BC3D2434.5BD	\$159.70	\$191.80	\$122.20	\$154.30	\$7.60	\$7.50	\$4.70	2.4	2.7	1.8	2.0
BC3D2734.5BD	168.50	201.10	128.70	161.30	8.80	7.50	4.70	2.7	3.0	2.1	2.3
BC3D3034.5BD	175.20	208.40	133.00	166.20	10.00	7.50	4.70	3.0	3.4	2.3	2.6
BC3D3334.5BD	182.00	215.70	137.50	171.20	11.20	7.50	4.70	3.3	3.7	2.6	2.8
BC3D3634.5BD	188.80	223.10	141.90	176.20	12.40	7.50	4.70	3.6	4.1	2.9	3.1

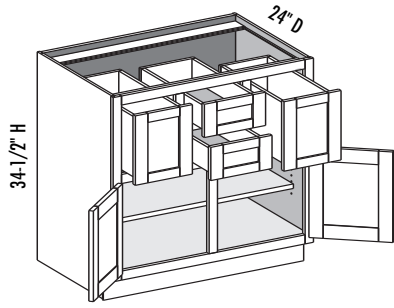
BASE CABINETS

Cabinet Systems

Options Key: D=Number of Doors DF=Number of Drawer Fronts DB=Drawer Box EXT=Extended Stiles EXP=Exposed End FL=Flush End
 MI=Matching Interior STR=Shaped Top Rail FT=Flush Toe FTRA=Flush Toe with Roman Arch Shape
 *Wood shelf upgrade



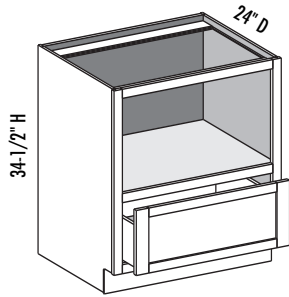
BC4D - Base Combination Four Drawer



D	DF	DB	EXT	EXP	FL	MI	STR	FT	FTRA
2	4	4	✓	✓	✓	✓		✓	✓

Cabinet Code	Craftsman		Pioneer			Flush End (ea.)	Exposed End (ea.)	Doors		Drawer Fronts	
	3-sided	4-sided	3-sided	4-sided	Shelf*			1/2"	1 1/4"	1/2"	1 1/4"
BC4D3634.5	\$219.90	\$263.50	\$173.00	\$216.60	\$12.40	\$7.50	\$4.70	3.6	4.0	2.9	3.1
BC4D3934.5	227.60	271.50	178.40	222.30	13.60	7.50	4.70	3.9	4.4	3.1	3.3
BC4D4234.5	234.70	279.00	183.00	227.30	14.80	7.50	4.70	4.3	4.7	3.3	3.6
BC4D4534.5	241.90	286.40	187.90	232.40	16.10	7.50	4.70	4.6	5.0	3.6	3.9
BC4D4834.5	248.90	293.70	192.50	237.30	17.30	7.50	4.70	4.9	5.4	3.9	4.1

BUCM - Base Under Cabinet Microwave



D	DF	DB	EXT	EXP	FL	MI	STR	FT	FTRA
	1	1	✓	✓	✓	✓	✓	✓	✓

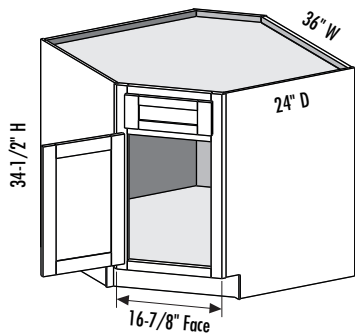
- Top opening height - 15-3/4"

Cabinet Code	Craftsman		Pioneer			Flush End (ea.)	Exposed End (ea.)	Doors		Drawer Fronts	
	3-sided	4-sided	3-sided	4-sided	Shelf*			1/2"	1 1/4"	1/2"	1 1/4"
BUCM2434.5	\$131.70	\$147.20	\$95.20	\$110.70	—	\$7.50	\$4.70	—	—	1.7	2.1
BUCM2734.5	138.20	154.20	99.80	115.80	—	7.50	4.70	—	—	2.0	2.3
BUCM3034.5	144.10	160.80	103.80	120.50	—	7.50	4.70	—	—	2.2	2.6

Options Key: D=Number of Doors DF=Number of Drawer Fronts DB=Drawer Box EXT=Extended Stiles EXP=Exposed End FL=Flush End
 MI=Matching Interior STR=Shaped Top Rail FT=Flush Toe FTRA=Flush Toe with Roman Arch Shape
 *Wood shelf upgrade



BSC - Base Sink Corner

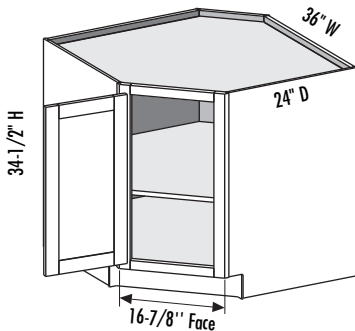


D	DF	DB	EXT	EXP	FL	MI	STR	FT	FTRA
1	1			✓	✓	✓		✓	

- Minimum entry opening width required is 35" (doorways, hallways, etc.)
- Optional loose toe platform is available \$20.00
- False drawer front
- Optional shelf available. Order part #SH0117 - 34-1/8" x 34-1/8"

Cabinet Code	Craftsman		Pioneer			Flush End (ea.)	Exposed End (ea.)	Doors		Drawer Fronts	
	3-sided	4-sided	3-sided	4-sided	Shelf*			1/2"	1 1/4"	1/2"	1 1/4"
BSC3634.5	\$143.40	\$143.40	\$94.30	\$94.30	—	\$7.20	\$4.50	2.2	2.4	0.6	0.7

BCFD - Base Corner Full Door



D	DF	DB	EXT	EXP	FL	MI	STR	FT	FTRA
1				✓	✓	✓		✓	

- Minimum entry opening width required is 35" (doorways, hallways, etc.)
- Optional loose toe platform is available \$20.00
- Shelf standard
- Optional 32" round Rev-A-Shelf Susan available

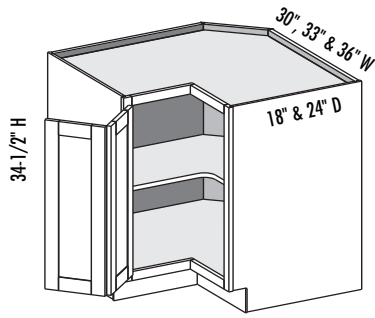
Susan Option Upgrade Pricing		
Cabinet Code	Craftsman	Pioneer
BCFD3634.5	\$33.60	\$50.30

Cabinet Code	Craftsman		Pioneer			Flush End (ea.)	Exposed End (ea.)	Doors		Drawer Fronts	
	3-sided	4-sided	3-sided	4-sided	Shelf*			1/2"	1 1/4"	1/2"	1 1/4"
BCFD3634.5	\$153.10	\$153.10	\$108.60	\$108.60	\$14.60	\$7.50	\$4.70	2.9	3.1	—	—

Options Key: D=Number of Doors DF=Number of Drawer Fronts DB=Drawer Box EXT=Extended Stiles EXP=Exposed End FL=Flush End MI=Matching Interior STR=Shaped Top Rail FT=Flush Toe FTRA=Flush Toe with Roman Arch Shape
*Wood shelf upgrade



BLS - Base Lazy Susan



- 18" deep sides used on 30" BLS
- 24" deep sides used on 33" and 36" BLS

D	DF	DB	EXT	EXP	FL	MI	STR	FT	FTRA
2			✓	✓	✓	✓		✓	

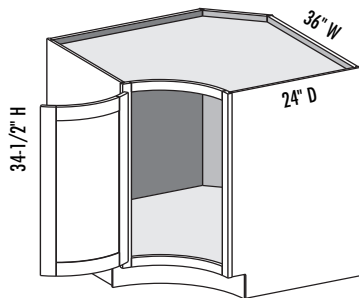
- Minimum entry opening width required is 35" (doorways, hallways, etc.)
- BLS3034.5 or BLS3334.5 can be used where entry opening widths are limited
- Optional loose toe platform is available with BLS3634.5 \$20.00
- 30" and 36" units require 36" of wall space. 33" unit requires 33" of wall space
- Optional kidney Rev-A-Shelf Susan available
- Optional Soss hinges available
- Shelf standard
- 30" and 33" units use a 24" Susan. 36" uses a 32" Susan

Susan Option Upgrade Pricing

Cabinet Code	Craftsman	Pioneer
BLS3034.5	\$24.30	\$36.70
BLS3334.5	22.10	36.20
BLS3634.5	32.40	48.20

Cabinet Code	Craftsman		Pioneer			Flush End (ea.)	Exposed End (ea.)	Doors		Drawer Fronts	
	3-sided	4-sided	3-sided	4-sided	Shelf*			1/2"	1 1/4"	1/2"	1 1/4"
BLS3034.5	\$145.70	\$145.70	\$88.10	\$88.10	\$10.70	—	—	4.0	4.6	—	—
BLS3334.5	153.00	153.00	91.70	91.70	12.10	7.50	4.70	2.8	3.3	—	—
BLS3634.5	160.90	160.90	95.90	95.90	13.70	7.50	4.70	4.0	4.6	—	—

BCC - Base Corner Concave



D	DF	DB	EXT	EXP	FL	MI	STR	FT	FTRA
1				✓	✓	✓			

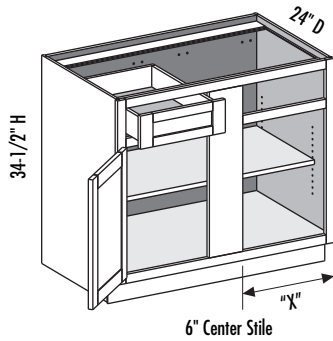
- Craftsman line only
- Door requires 10 days lead-time
- Radius 12-3/8" on face of front frame
- Optional 32" kidney Rev-A-Shelf Susan available. Susan price - \$56.70
- C-clip door uses 12"R
- See Radius Products section of Custom Product Manual for door pricing information

Cabinet Code	Craftsman		Pioneer			Flush End (ea.)	Exposed End (ea.)	Doors		Drawer Fronts	
	3-sided	4-sided	3-sided	4-sided	Shelf*			1/2"	1 1/4"	1/2"	1 1/4"
BCC3634.5	\$209.50	\$209.50	—	—	—	\$7.50	\$4.70	11-5/8R	11-5/8R	—	—

Options Key: D=Number of Doors DF=Number of Drawer Fronts DB=Drawer Box EXT=Extended Stiles EXP=Exposed End FL=Flush End MI=Matching Interior STR=Shaped Top Rail FT=Flush Toe FTRA=Flush Toe with Roman Arch Shape
*Wood shelf upgrade



BBC - Base Blind Corner



D	DF	DB	EXT	EXP	FL	MI	STR	FT	FTRA
1	1	1	✓	✓	✓	✓		✓	✓

- Units are reversible right or left
- For 1-1/4" or 1-3/8" overlays, doors may require custom sizes depending on hardware
- Cabinet can be pulled an additional 2-1/4" beyond recommended space for most hardware

Cabinet Code	Cabinet Width	"X"	Minimum Space Required	Recommended Space For Most Hardware
BBC3634.5	27"	10-1/2"	36"	37-1/2"
BBC3934.5	33"	13-1/2"	39"	40-1/2"
BBC4234.5	39"	16-1/2"	42"	43-1/2"
BBC4534.5	45"	19-1/2"	45"	46-1/2"
BBC4834.5	48"	21"	48"	48"

Cabinet Code	Craftsman		Pioneer			Flush End (ea.)	Exposed End (ea.)	Doors		Drawer Fronts	
	3-sided	4-sided	3-sided	4-sided	Shelf*			1/2"	1 1/4"	1/2"	1 1/4"
BBC3634.5	\$134.70	\$144.90	\$94.90	\$105.10	\$8.80	\$7.50	\$4.70	1.5	1.9	0.4	0.5
BBC3934.5	145.90	156.20	101.40	111.70	11.20	7.50	4.70	2.0	2.3	0.5	0.6
BBC4234.5	157.80	168.30	108.60	119.10	13.60	7.50	4.70	2.4	2.8	0.7	0.8
BBC4534.5	168.90	179.60	114.90	125.60	16.10	7.50	4.70	2.9	3.3	0.8	0.9
BBC4834.5	174.40	185.20	118.10	128.90	17.30	7.50	4.70	3.1	3.6	0.9	1.0

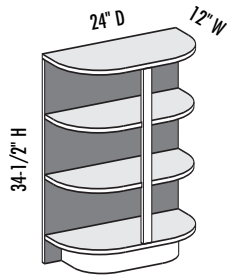
BASE CABINETS

Cabinet Systems

Options Key: D=Number of Doors DF=Number of Drawer Fronts DB=Drawer Box EXT=Extended Stiles EXP=Exposed End FL=Flush End MI=Matching Interior STR=Shaped Top Rail FT=Flush Toe FTRA=Flush Toe with Roman Arch Shape
*Wood shelf upgrade



PBOS - Peninsula Base Open Shelf

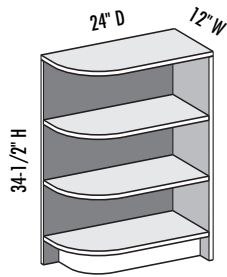


D	DF	DB	EXT	EXP	FL	MI	STR	FT	FTRA
						STD			

- Craftsman line only
- Solid front rail
- 3/4" matching specie doweled plywood construction
- Exposed edges are banded with matching specie veneer
- Hard Maple plywood for Hard and Soft Maple lines

Cabinet Code	Craftsman		Pioneer			Flush End (ea.)	Exposed End (ea.)	Doors		Drawer Fronts	
	3-sided	4-sided	3-sided	4-sided	Shelf*			1/2"	1 1/4"	1/2"	1 1/4"
PBOS2434.5	\$83.70	\$83.70	—	—	—	—	—	—	—	—	—

BOSR(L) - Base Open Shelf Right (or Left)

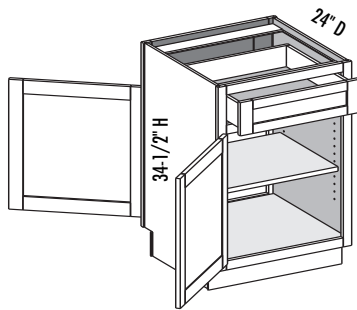


D	DF	DB	EXT	EXP	FL	MI	STR	FT	FTRA
						STD			

- Craftsman line only
- Right shelf shown
- 3/4" matching specie doweled plywood construction
- Exposed edges are banded with matching specie veneer
- Hard Maple plywood for Hard and Soft Maple lines

Cabinet Code	Craftsman		Pioneer			Flush End (ea.)	Exposed End (ea.)	Doors		Drawer Fronts	
	3-sided	4-sided	3-sided	4-sided	Shelf*			1/2"	1 1/4"	1/2"	1 1/4"
BOSL1234.5	\$98.70	\$98.70	—	—	—	—	—	—	—	—	—
BOSR1234.5	98.70	98.70	—	—	—	—	—	—	—	—	—

BDE - Base Double Entry



D	DF	DB	EXT	EXP	FL	MI	STR	FT	FTRA
2	2	1	✓	✓	✓	✓		✓	✓

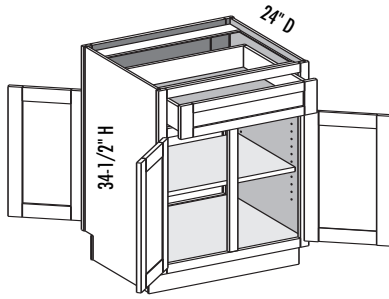
- One false drawer front

Cabinet Code	Craftsman		Pioneer			Flush End (ea.)	Exposed End (ea.)	Doors		Drawer Fronts	
	3-sided	4-sided	3-sided	4-sided	Shelf*			1/2"	1 1/4"	1/2"	1 1/4"
BDE2434.5	\$136.10	\$147.00	\$100.50	\$111.40	\$7.10	\$7.30	\$4.50	6.7	7.6	1.8	2.0

Options Key: D=Number of Doors DF=Number of Drawer Fronts DB=Drawer Box EXT=Extended Stiles EXP=Exposed End FL=Flush End MI=Matching Interior STR=Shaped Top Rail FT=Flush Toe FTRA=Flush Toe with Roman Arch Shape
*Wood shelf upgrade



BDE - Base Double Entry

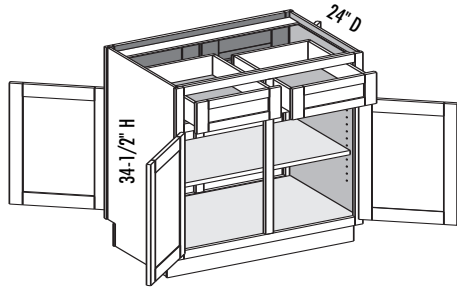


D	DF	DB	EXT	EXP	FL	MI	STR	FT	FTRA
4	2	1	✓	✓	✓	✓		✓	✓

- One false drawer front

Cabinet Code	Craftsman		Pioneer			Flush End (ea.)	Exposed End (ea.)	Doors		Drawer Fronts	
	3-sided	4-sided	3-sided	4-sided	Shelf*			1/2"	1 1/4"	1/2"	1 1/4"
BDE2734.5	\$147.60	\$158.70	\$109.70	\$120.80	\$8.30	\$7.30	\$4.50	7.5	8.4	2.1	2.3

BDE - Base Double Entry

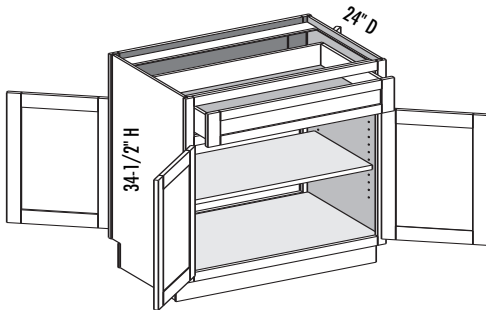


D	DF	DB	EXT	EXP	FL	MI	STR	FT	FTRA
4	4	2	✓	✓	✓	✓		✓	✓

- Two false drawer fronts

Cabinet Code	Craftsman		Pioneer			Flush End (ea.)	Exposed End (ea.)	Doors		Drawer Fronts	
	3-sided	4-sided	3-sided	4-sided	Shelf*			1/2"	1 1/4"	1/2"	1 1/4"
BDE3034.5	\$165.90	\$186.60	\$125.70	\$146.40	\$9.50	\$7.30	\$4.50	8.4	9.4	2.3	2.5
BDE3634.5	176.70	197.80	132.10	153.20	11.90	7.30	4.50	10.2	11.3	2.8	3.0
BDE4234.5	188.30	209.80	139.20	160.70	14.40	7.30	4.50	12.1	13.2	3.3	3.6
BDE4834.5	199.00	220.80	145.50	167.30	16.80	7.30	4.50	13.9	15.2	3.8	4.1

BDE - Base Double Entry w/Butt Doors



D	DF	DB	EXT	EXP	FL	MI	STR	FT	FTRA
4	2	1	✓	✓	✓	✓		✓	✓

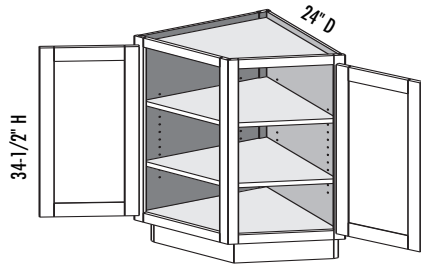
- One false drawer front

Cabinet Code	Craftsman		Pioneer			Flush End (ea.)	Exposed End (ea.)	Doors		Drawer Fronts	
	3-sided	4-sided	3-sided	4-sided	Shelf*			1/2"	1 1/4"	1/2"	1 1/4"
BDE2434.5BD	\$136.10	\$147.00	\$100.50	\$111.40	\$7.10	\$7.30	4.50	6.7	7.5	1.8	2.0
BDE2734.5BD	142.00	153.10	104.10	115.20	8.30	7.30	4.50	7.6	8.5	2.1	2.3
BDE3034.5BD	147.30	158.60	107.30	118.60	9.50	7.30	4.50	8.5	9.5	2.3	2.6
BDE3634.5BD	158.10	169.80	113.70	125.40	11.90	7.30	4.50	10.4	11.4	2.8	3.1

Options Key: D=Number of Doors DF=Number of Drawer Fronts DB=Drawer Box EXT=Extended Stiles EXP=Exposed End FL=Flush End MI=Matching Interior STR=Shaped Top Rail FT=Flush Toe FTRA=Flush Toe with Roman Arch Shape
*Wood shelf upgrade

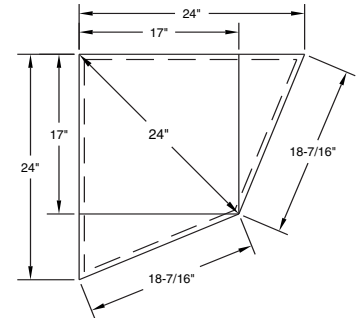


BAE - Base Angle End



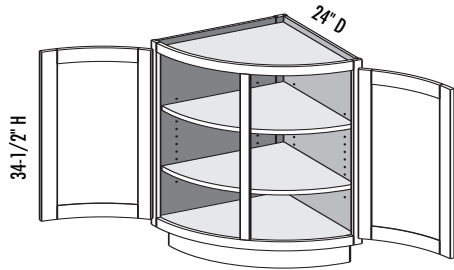
D	DF	DB	EXT	EXP	FL	MI	STR	FT	FTRA
2						✓		✓	

- Two 15" wide openings
- 1-13/16" wide stiles outside
1-5/8" wide stiles inside



Cabinet Code	Craftsman		Pioneer			Flush End (ea.)	Exposed End (ea.)	Doors		Drawer Fronts	
	3-sided	4-sided	3-sided	4-sided	Shelf*			1/2"	1 1/4"	1/2"	1 1/4"
BAE2434.5	\$129.40	\$129.40	\$76.80	\$76.80	\$17.10	—	—	6.3	7.3	—	—

BCX - Base Convex

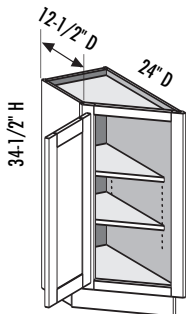


D	DF	DB	EXT	EXP	FL	MI	STR	FT	FTRA
2						✓			

- Craftsman line only
- Doors require 10 days lead-time
- Radius 23-5/8" on face of front frame
- C-lip doors use 24"R
- See Radius Products section of Custom Product Manual for door pricing information

Cabinet Code	Craftsman		Pioneer			Flush End (ea.)	Exposed End (ea.)	Doors		Drawer Fronts	
	3-sided	4-sided	3-sided	4-sided	Shelf*			1/2"	1 1/4"	1/2"	1 1/4"
BCX2434.5	\$294.10	\$294.10	—	—	\$20.80	—	—	24-3/8R	24-3/8R	—	—

BEAL - Base End Angle Left (or Right)



D	DF	DB	EXT	EXP	FL	MI	STR	FT	FTRA
1				✓	✓	✓			

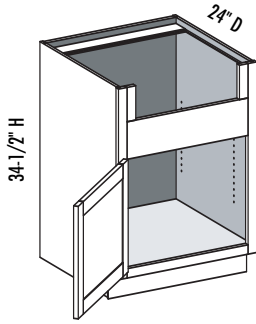
- Left shown
- 5/4" thick front frame
- 1-15/16" stile face width
- Flush end available on 12-1/2" deep side
- Exposed end available on 24" deep side

Cabinet Code	Craftsman		Pioneer			Flush End (ea.)	Exposed End (ea.)	Doors		Drawer Fronts	
	3-sided	4-sided	3-sided	4-sided	Shelf*			1/2"	1 1/4"	1/2"	1 1/4"
BEAL1234.5	\$89.40	\$89.40	\$62.40	\$62.40	\$3.90	\$3.80	\$3.10	2.7	3.1	—	—
BEAR1234.5	\$89.40	\$89.40	\$62.40	\$62.40	\$3.90	\$3.80	\$3.10	2.7	3.1	—	—

Options Key: D=Number of Doors DF=Number of Drawer Fronts DB=Drawer Box EXT=Extended Stiles EXP=Exposed End FL=Flush End
 MI=Matching Interior STR=Shaped Top Rail FT=Flush Toe FTRA=Flush Toe with Roman Arch Shape
 *Wood shelf upgrade



ASB - Apron Sink Base

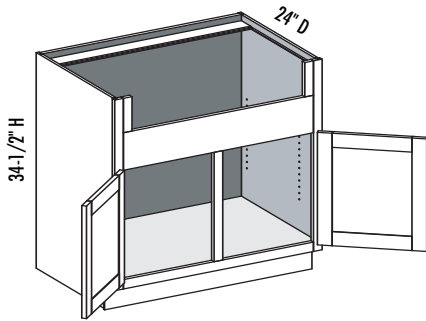


D	DF	DB	EXT	EXP	FL	MI	STR	FT	FTRA
1			✓	✓	✓	✓		✓	✓

- Sink bowl opening is 5-1/2" high, width is 6" less than cabinet width
- Sink opening is trimmable 3" in width and 4-1/2" in height
- No drawer parts or shelf with sink units

Cabinet Code	Craftsman		Pioneer			Flush End (ea.)	Exposed End (ea.)	Doors		Drawer Fronts	
	3-sided	4-sided	3-sided	4-sided	Shelf*			1/2"	1 1/4"	1/2"	1 1/4"
ASB2434.5	\$104.70	\$104.70	\$76.40	\$76.40	—	\$7.50	\$4.70	2.8	3.3	—	—

ASB - Apron Sink Base



D	DF	DB	EXT	EXP	FL	MI	STR	FT	FTRA
2			✓	✓	✓	✓		✓	✓

- Sink bowl opening is 5-1/2" high, width is 6" less than cabinet width
- Sink opening is trimmable 3" in width and 4-1/2" in height
- No drawer parts or shelf with sink units

Cabinet Code	Craftsman		Pioneer			Flush End (ea.)	Exposed End (ea.)	Doors		Drawer Fronts	
	3-sided	4-sided	3-sided	4-sided	Shelf*			1/2"	1 1/4"	1/2"	1 1/4"
ASB2734.5	\$109.90	\$109.90	\$80.70	\$80.70	—	\$7.50	\$4.70	3.1	3.7	—	—
ASB3034.5	113.60	113.60	83.40	83.40	—	7.50	4.70	3.5	4.1	—	—
ASB3334.5	116.90	116.90	85.60	85.60	—	7.50	4.70	3.9	4.5	—	—
ASB3634.5	120.10	120.10	87.80	87.80	—	7.50	4.70	4.3	4.9	—	—
ASB3934.5	124.20	124.20	90.90	90.90	—	7.50	4.70	4.7	5.3	—	—
ASB4234.5	127.40	127.40	93.10	93.10	—	7.50	4.70	5.1	5.8	—	—
ASB4534.5	130.70	130.70	95.40	95.40	—	7.50	4.70	5.5	6.2	—	—
ASB4834.5	133.90	133.90	97.60	97.60	—	7.50	4.70	5.8	6.6	—	—

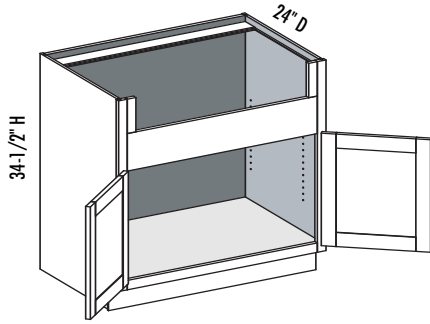
BASE CABINETS

Cabinet Systems

Options Key: D=Number of Doors DF=Number of Drawer Fronts DB=Drawer Box EXT=Extended Stiles EXP=Exposed End FL=Flush End
 MI=Matching Interior STR=Shaped Top Rail FT=Flush Toe FTRA=Flush Toe with Roman Arch Shape
 *Wood shelf upgrade



ASB - Apron Sink Base w/Butt Doors

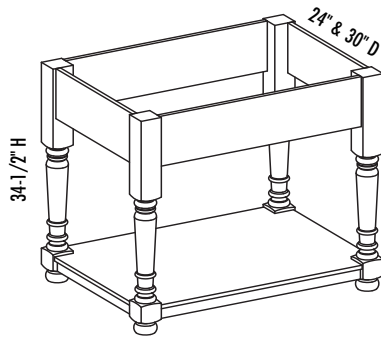


D	DF	DB	EXT	EXP	FL	MI	STR	FT	FTRA
2			✓	✓	✓	✓		✓	✓

- Sink bowl opening is 5-1/2" high, width is 6" less than cabinet width
- Sink opening is trimmable 3" in width and 4-1/2" in height
- No drawer parts or shelf with sink units

Cabinet Code	Craftsman		Pioneer			Flush End (ea.)	Exposed End (ea.)	Doors		Drawer Fronts	
	3-sided	4-sided	3-sided	4-sided	Shelf*			1/2"	1 1/4"	1/2"	1 1/4"
ASB2434.5BD	\$104.70	\$104.70	\$76.40	\$76.40	—	\$7.50	\$4.70	2.8	3.3	—	—
ASB2734.5BD	108.30	108.30	79.10	79.10	—	7.50	4.70	3.2	3.7	—	—
ASB3034.5BD	111.50	111.50	81.30	81.30	—	7.50	4.70	3.6	4.1	—	—
ASB3334.5BD	114.90	114.90	83.60	83.60	—	7.50	4.70	4.0	4.6	—	—
ASB3634.5BD	118.10	118.10	85.80	85.80	—	7.50	4.70	4.4	5.0	—	—

WT - Work Table No Drawers



D	DF	DB	EXT	EXP	FL	MI	STR	FT	FTRA
						STD			

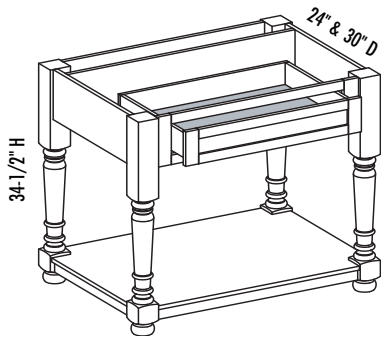
- Craftsman line only
- Solid wood doweled construction
- No drawer or drawer front
- Top not included
- Work table bead mouldings are available, sold separately

Cabinet Code	Cherry		Hard Maple		Red Oak		Doors		Drawer Fronts	
	3-sided	4-sided	3-sided	4-sided	3-sided	4-sided	1/2"	1 1/4"	1/2"	1 1/4"
WT2434.5	\$541.60	\$541.60	\$501.80	\$501.80	\$399.50	\$399.50	—	—	—	—
WT2734.5	549.80	549.80	508.40	508.40	405.00	405.00	—	—	—	—
WT3034.5	550.30	550.30	508.90	508.90	405.40	405.40	—	—	—	—
WT3334.5	576.70	576.70	533.40	533.40	421.40	421.40	—	—	—	—
WT3634.5	577.20	577.20	533.90	533.90	421.80	421.80	—	—	—	—
WT3934.5	593.30	593.30	548.60	548.60	431.30	431.30	—	—	—	—
WT4234.5	629.90	629.90	566.60	566.60	443.90	443.90	—	—	—	—
WT4534.5	630.40	630.40	567.20	567.20	444.30	444.30	—	—	—	—
WT4834.5	648.20	648.20	571.10	571.10	447.10	447.10	—	—	—	—
WT2434.530	562.70	562.70	520.00	520.00	413.00	413.00	—	—	—	—
WT2734.530	570.90	570.90	526.70	526.70	418.50	418.50	—	—	—	—
WT3034.530	571.40	571.40	527.20	527.20	419.00	419.00	—	—	—	—
WT3334.530	602.20	602.20	555.90	555.90	437.80	437.80	—	—	—	—
WT3634.530	602.70	602.70	556.40	556.40	438.20	438.20	—	—	—	—
WT3934.530	618.80	618.80	571.10	571.10	447.60	447.60	—	—	—	—
WT4234.530	664.40	664.40	593.70	593.70	463.20	463.20	—	—	—	—
WT4534.530	664.90	664.90	594.20	594.20	463.70	463.70	—	—	—	—
WT4834.530	682.60	682.60	598.10	598.10	466.40	466.40	—	—	—	—

Options Key: D=Number of Doors DF=Number of Drawer Fronts DB=Drawer Box EXT=Extended Stiles EXP=Exposed End FL=Flush End MI=Matching Interior STR=Shaped Top Rail FT=Flush Toe FTRA=Flush Toe with Roman Arch Shape
*Wood shelf upgrade



WT - Work Table w/One Drawer



D	DF	DB	EXT	EXP	FL	MI	STR	FT	FTRA
	1	1				STD			

- Craftsman line only
- Solid wood doweled construction
- Top not included
- Work table bead mouldings are available, sold separately

Cabinet Code	Cherry		Hard Maple		Red Oak		Doors		Drawer Fronts	
	3-sided	4-sided	3-sided	4-sided	3-sided	4-sided	1/2"	1 1/4"	1/2"	1 1/4"
WTD2434.5	\$561.10	\$571.40	\$521.20	\$531.50	\$421.50	\$431.80	—	—	0.5	0.8
WTD2734.5	567.20	577.80	526.50	537.10	426.20	436.80	—	—	0.7	0.9
WTD3034.5	569.50	580.30	528.80	539.60	428.50	439.30	—	—	0.8	1.1
WTD3334.5	593.40	604.50	551.40	562.50	443.70	454.80	—	—	0.9	1.2
WTD3634.5	595.40	606.80	553.60	565.00	445.80	457.20	—	—	1.0	1.4
WTD3934.5	605.80	617.50	563.30	575.00	452.80	464.50	—	—	1.2	1.5
WTD4234.5	644.30	656.20	583.10	595.00	467.20	479.10	—	—	1.3	1.7
WTD4534.5	646.30	658.50	585.20	597.40	469.20	481.40	—	—	1.4	1.8
WTD2434.530	583.40	593.70	540.60	550.90	436.30	446.60	—	—	0.5	0.8
WTD2734.530	589.60	600.10	546.00	556.50	441.10	451.60	—	—	0.7	0.9
WTD3034.530	592.00	602.70	548.50	559.20	443.40	454.10	—	—	0.8	1.1
WTD3334.530	620.30	631.20	575.30	586.20	461.50	472.40	—	—	0.9	1.2
WTD3634.530	622.50	633.60	577.60	588.70	463.70	474.80	—	—	1.0	1.4
WTD3934.530	632.90	644.20	587.30	598.60	470.70	482.00	—	—	1.2	1.5
WTD4234.530	680.40	691.80	611.90	623.30	488.30	499.70	—	—	1.3	1.7
WTD4534.530	682.60	694.30	614.10	625.80	490.40	502.10	—	—	1.4	1.8

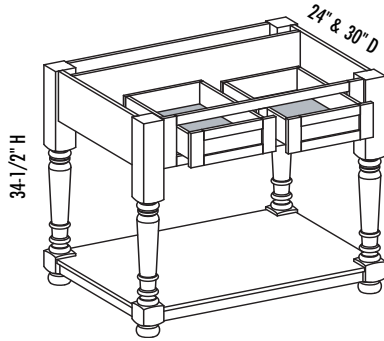
BASE CABINETS

Cabinet Systems

Options Key: D=Number of Doors DF=Number of Drawer Fronts DB=Drawer Box EXT=Extended Stiles EXP=Exposed End FL=Flush End
 MI=Matching Interior STR=Shaped Top Rail FT=Flush Toe FTRA=Flush Toe with Roman Arch Shape
 *Wood shelf upgrade



WT - Work Table w/Two Drawers



D	DF	DB	EXT	EXP	FL	MI	STR	FT	FTRA
	2	2				STD			

- Craftsman line only
- Solid wood doweled construction
- Top not included
- Work table bead mouldings are available, sold separately

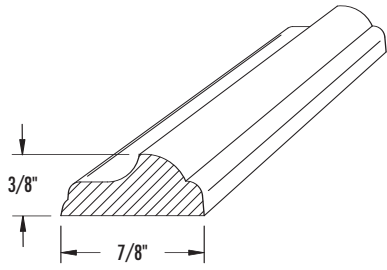
Cabinet Code	Cherry		Hard Maple		Red Oak		Doors		Drawer Fronts	
	3-sided	4-sided	3-sided	4-sided	3-sided	4-sided	1/2"	1 1/4"	1/2"	1 1/4"
WT2D3934.5	\$618.30	\$639.00	\$575.80	\$596.50	\$465.30	\$486.00	—	—	1.1	1.5
WT2D4234.5	656.70	677.70	595.50	616.50	479.60	500.60	—	—	1.3	1.7
WT2D4534.5	658.80	680.10	597.70	619.00	481.70	503.00	—	—	1.4	1.8
WT2D4834.5	669.60	691.20	601.60	623.20	485.00	506.60	—	—	1.5	2.0
WT2D3934.530	646.10	666.80	600.50	621.20	483.90	504.60	—	—	1.1	1.5
WT2D4234.530	693.40	714.40	624.90	645.90	501.30	522.30	—	—	1.3	1.7
WT2D4534.530	695.80	716.90	627.30	648.40	503.60	524.70	—	—	1.4	1.8
WT2D4834.530	706.60	727.90	631.20	652.50	506.90	528.20	—	—	1.5	2.0

Options Key: D=Number of Doors DF=Number of Drawer Fronts DB=Drawer Box EXT=Extended Stiles EXP=Exposed End FL=Flush End
 MI=Matching Interior STR=Shaped Top Rail FT=Flush Toe FTRA=Flush Toe with Roman Arch Shape
 *Wood shelf upgrade

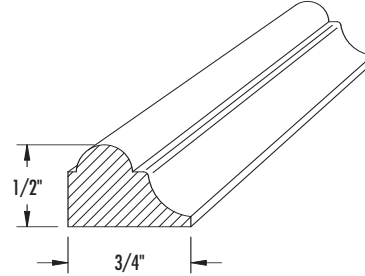


Work Table Bead Mouldings

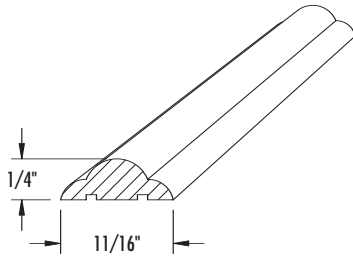
Moulding 35



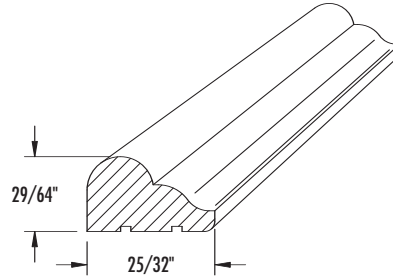
Moulding 224



Moulding 1097



Moulding 1530



Code	List Price		
	Cherry	Hard Maple	Red Oak
Moulding 35	\$20.88	\$13.84	\$12.80
Moulding 224			
Moulding 1097			
Moulding 1530			

- Sold in 8' lengths
- Apply to apron area of work tables for furniture accent
- Lead-time 7 days unfinished, add 5-6 days for finishing

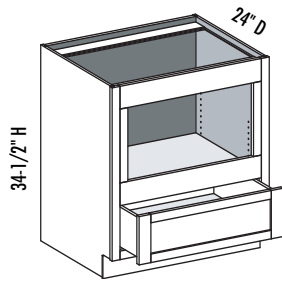
BASE CABINETS

Cabinet Systems

Options Key: D=Number of Doors DF=Number of Drawer Fronts DB=Drawer Box EXT=Extended Stiles EXP=Exposed End FL=Flush End
 MI=Matching Interior STR=Shaped Top Rail FT=Flush Toe FTFA=Flush Toe with Roman Arch Shape
 *Wood shelf upgrade



BIUCM - Built-In Under Counter Microwave

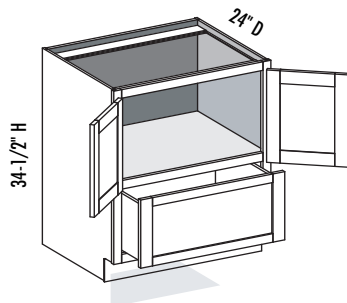


D	DF	DB	EXT	EXP	FL	MI	STR	FT	FTRA
	1	1	✓	✓	✓	✓		✓	✓

- Microwave opening is 13" high, width is 6" less than cabinet width
- Microwave opening is trimmable 3" in width and 5" in height

Cabinet Code	Craftsman		Pioneer			Flush End (ea.)	Exposed End (ea.)	Doors		Drawer Fronts	
	3-sided	4-sided	3-sided	4-sided	Shelf*			1/2"	1 1/4"	1/2"	1 1/4"
BIUCM2734.5	\$167.10	\$183.20	\$128.30	\$144.40	—	\$7.50	\$4.70	—	—	1.6	1.9
BIUCM3034.5	173.90	190.70	133.20	150.00	—	7.50	4.70	—	—	1.8	2.1
BIUCM3334.5	180.70	198.20	138.00	155.50	—	7.50	4.70	—	—	1.9	2.3
BIUCM3634.5	187.60	205.80	142.90	161.10	—	7.50	4.70	—	—	2.1	2.5

BCT - Base Cook Top



D	DF	DB	EXT	EXP	FL	MI	STR	FT	FTRA
2	1	1	✓	✓	✓	✓		✓	✓

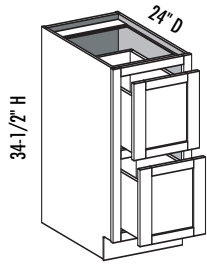
- Available with 4-sided drawer boxes only

Cabinet Code	Craftsman		Pioneer			Flush End (ea.)	Exposed End (ea.)	Doors		Drawer Fronts	
	3-sided	4-sided	3-sided	4-sided	Shelf*			1/2"	1 1/4"	1/2"	1 1/4"
BCT3034.5BD	—	\$166.20	—	\$125.90	—	\$7.50	\$4.70	3.0	3.2	2.4	2.8
BCT3334.5BD	—	173.10	—	130.90	—	7.50	4.70	3.3	3.5	2.7	3.1
BCT3634.5BD	—	180.20	—	136.10	—	7.50	4.70	3.6	3.9	3.0	3.4
BCT3934.5BD	—	187.30	—	141.10	—	7.50	4.70	4.0	4.2	3.2	3.7
BCT4234.5BD	—	194.30	—	146.20	—	7.50	4.70	4.3	4.5	3.5	4.0

Options Key: D=Number of Doors DF=Number of Drawer Fronts DB=Drawer Box EXT=Extended Stiles EXP=Exposed End FL=Flush End
 MI=Matching Interior STR=Shaped Top Rail FT=Flush Toe FTRA=Flush Toe with Roman Arch Shape
 *Wood shelf upgrade



B2D - Base Two Drawer



D	DF	DB	EXT	EXP	FL	MI	STR	FT	FTRA
	2	2	✓	✓	✓	✓		✓	✓

• 39" available with 4-sided drawer boxes only

Cabinet Code	Craftsman		Pioneer			Flush End (ea.)	Exposed End (ea.)	Doors		Drawer Fronts	
	3-sided	4-sided	3-sided	4-sided	Shelf*			1/2"	1 1/4"	1/2"	1 1/4"
B2D1234.5	\$126.70	\$142.90	\$102.00	\$118.20	—	\$7.50	\$4.70	—	—	1.9	2.4
B2D1534.5	132.80	150.60	107.10	124.90	—	7.50	4.70	—	—	2.5	3.0
B2D1834.5	139.00	158.30	112.30	131.60	—	7.50	4.70	—	—	3.1	3.6
B2D2134.5	145.20	166.00	117.50	138.30	—	7.50	4.70	—	—	3.7	4.2
B2D2434.5	151.40	173.80	122.60	145.00	—	7.50	4.70	—	—	4.3	4.8
B2D2734.5	157.50	181.50	127.80	151.80	—	7.50	4.70	—	—	4.9	5.4
B2D3034.5	163.70	189.20	132.90	158.40	—	7.50	4.70	—	—	5.4	6.0
B2D3334.5	169.90	197.00	138.10	165.20	—	7.50	4.70	—	—	6.0	6.7
B2D3634.5	176.10	204.70	143.30	171.90	—	7.50	4.70	—	—	6.6	7.3
B2D3934.5	182.30	212.40	148.40	178.50	—	7.50	4.70	—	—	7.2	7.9

BASE CABINETS

Cabinet Systems

Options Key: D=Number of Doors DF=Number of Drawer Fronts DB=Drawer Box EXT=Extended Stiles EXP=Exposed End FL=Flush End
 MI=Matching Interior STR=Shaped Top Rail FT=Flush Toe FTRA=Flush Toe with Roman Arch Shape
 *Wood shelf upgrade