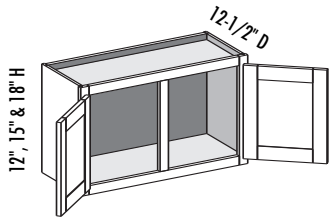




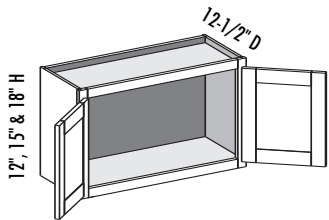
W - Wall Cabinet



D	DF	DB	EXT	EXP	FL	MI	STR	FT	FTRA
2			✓	✓	✓	✓			

Cabinet Code	Craftsman		Pioneer			Flush End (ea.)	Exposed End (ea.)	Doors		Drawer Fronts	
	3-sided	4-sided	3-sided	4-sided	Shelf*			1/2"	1 1/4"	1/2"	1 1/4"
W3012	\$58.20	\$58.20	\$45.10	\$45.10	—	\$1.30	\$0.50	2.0	2.3	—	—
W3312	60.60	60.60	46.60	46.60	—	1.30	0.50	2.1	2.6	—	—
W3612	63.00	63.00	48.10	48.10	—	1.30	0.50	2.3	2.8	—	—
W3912	71.00	71.00	55.30	55.30	—	1.30	0.50	2.5	3.0	—	—
W4212	73.50	73.50	56.80	56.80	—	1.30	0.50	2.7	3.3	—	—
W4812	78.20	78.20	59.80	59.80	—	1.30	0.50	3.2	3.8	—	—
W2715	58.50	58.50	45.20	45.20	—	1.70	0.60	2.2	2.6	—	—
W3015	60.90	60.90	46.80	46.80	—	1.70	0.60	2.5	2.9	—	—
W3315	63.30	63.30	48.30	48.30	—	1.70	0.60	2.8	3.2	—	—
W3615	65.90	65.90	50.00	50.00	—	1.70	0.60	3.0	3.5	—	—
W3915	74.00	74.00	57.20	57.20	—	1.70	0.60	3.3	3.8	—	—
W4215	76.40	76.40	58.70	58.70	—	1.70	0.60	3.6	4.1	—	—
W4815	81.40	81.40	61.90	61.90	—	1.70	0.60	4.1	4.7	—	—
W2718	61.70	61.70	47.50	47.50	—	2.00	0.80	2.7	3.2	—	—
W3018	64.20	64.20	49.10	49.10	—	2.00	0.80	3.1	3.5	—	—
W3318	66.80	66.80	50.80	50.80	—	2.00	0.80	3.4	3.9	—	—
W3618	69.30	69.30	52.40	52.40	—	2.00	0.80	3.7	4.3	—	—
W3918	76.90	76.90	59.00	59.00	—	2.00	0.80	4.1	4.6	—	—
W4218	79.50	79.50	60.70	60.70	—	2.00	0.80	4.4	5.0	—	—
W4818	84.50	84.50	63.90	63.90	—	2.00	0.80	5.1	5.7	—	—

W - Wall Cabinet w/Butt Doors



D	DF	DB	EXT	EXP	FL	MI	STR	FT	FTRA
2			✓	✓	✓	✓	✓		

Cabinet Code	Craftsman		Pioneer			Flush End (ea.)	Exposed End (ea.)	Doors		Drawer Fronts	
	3-sided	4-sided	3-sided	4-sided	Shelf*			1/2"	1 1/4"	1/2"	1 1/4"
W3012BD	\$56.30	\$56.30	\$43.20	\$43.20	—	\$1.30	\$0.50	2.0	2.3	—	—
W3312BD	58.60	58.60	44.60	44.60	—	1.30	0.50	2.1	2.6	—	—
W3612BD	61.10	61.10	46.20	46.20	—	1.30	0.50	2.4	2.8	—	—
W2715BD	56.30	56.30	43.00	43.00	—	1.70	0.60	2.2	2.7	—	—
W3015BD	58.70	58.70	44.60	44.60	—	1.70	0.60	2.5	3.0	—	—

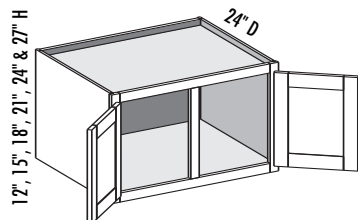
Options Key: D=Number of Doors DF=Number of Drawer Fronts DB=Drawer Box EXT=Extended Stiles EXP=Exposed End FL=Flush End
 MI=Matching Interior STR=Shaped Top Rail FT=Flush Toe FTRA=Flush Toe with Roman Arch Shape
 *Wood shelf upgrade



W - Wall Cabinet w/Butt Doors - continued

Cabinet Code	Craftsman		Pioneer			Flush End (ea.)	Exposed End (ea.)	Doors		Drawer Fronts	
	3-sided	4-sided	3-sided	4-sided	Shelf*			1/2"	1 1/4"	1/2"	1 1/4"
W3315BD	61.20	61.20	46.20	46.20	—	1.70	0.60	2.8	3.3	—	—
W3615BD	63.70	63.70	47.80	47.80	—	1.70	0.60	3.1	3.6	—	—
W2718BD	59.30	59.30	45.10	45.10	—	2.00	0.80	2.8	3.2	—	—
W3018BD	61.90	61.90	46.80	46.80	—	2.00	0.80	3.1	3.6	—	—
W3318BD	64.40	64.40	48.40	48.40	—	2.00	0.80	3.4	3.9	—	—
W3618BD	66.90	66.90	50.00	50.00	—	2.00	0.80	3.8	4.3	—	—

WD - Wall Deep



D	DF	DB	EXT	EXP	FL	MI	STR	FT	FTRA
2			✓	✓	✓	✓			

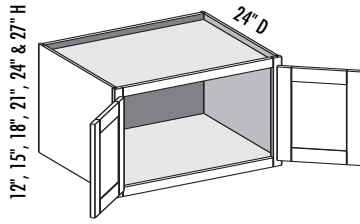
- 21" high and 24" high has one shelf and 27" high has two shelves

Cabinet Code	Craftsman		Pioneer			Flush End (ea.)	Exposed End (ea.)	Doors		Drawer Fronts	
	3-sided	4-sided	3-sided	4-sided	Shelf*			1/2"	1 1/4"	1/2"	1 1/4"
WD3012	\$75.60	\$75.60	\$51.10	\$51.10	—	\$2.60	\$1.00	2.0	2.3	—	—
WD3312	79.30	79.30	53.10	53.10	—	2.60	1.00	2.1	2.6	—	—
WD3612	82.90	82.90	54.90	54.90	—	2.60	1.00	2.3	2.8	—	—
WD3912	91.50	91.50	61.80	61.80	—	2.60	1.00	2.5	3.0	—	—
WD4212	95.20	95.20	63.70	63.70	—	2.60	1.00	2.7	3.3	—	—
WD4512	98.80	98.80	65.60	65.60	—	2.60	1.00	3.0	3.5	—	—
WD4812	102.30	102.30	67.40	67.40	—	2.60	1.00	3.2	3.8	—	—
WD3015	79.60	79.60	53.20	53.20	—	3.30	1.30	2.5	2.9	—	—
WD3315	83.30	83.30	55.10	55.10	—	3.30	1.30	2.8	3.2	—	—
WD3615	87.00	87.00	57.20	57.20	—	3.30	1.30	3.0	3.5	—	—
WD3915	95.70	95.70	64.10	64.10	—	3.30	1.30	3.3	3.8	—	—
WD3018	83.40	83.40	55.20	55.20	—	3.90	1.50	3.1	3.5	—	—
WD3318	87.30	87.30	57.30	57.30	—	3.90	1.50	3.4	3.9	—	—
WD3618	91.00	91.00	59.30	59.30	—	3.90	1.50	3.7	4.3	—	—
WD3918	99.80	99.80	66.30	66.30	—	3.90	1.50	4.1	4.6	—	—
WD3021	104.90	104.90	63.40	63.40	10.00	4.60	1.80	3.6	4.1	—	—
WD3321	110.40	110.40	65.90	65.90	11.20	4.60	1.80	4.0	4.6	—	—
WD3621	116.00	116.00	68.30	68.30	12.40	4.60	1.80	4.4	5.0	—	—
WD3921	126.00	126.00	75.30	75.30	13.60	4.60	1.80	4.8	5.4	—	—
WD3024	108.70	108.70	65.40	65.40	10.00	5.20	2.00	4.2	4.7	—	—
WD3324	114.40	114.40	68.10	68.10	11.20	5.20	2.00	4.7	5.2	—	—
WD3624	119.50	119.50	70.00	70.00	12.40	5.20	2.00	5.1	5.7	—	—
WD3924	130.10	130.10	77.50	77.50	13.60	5.20	2.00	5.6	6.2	—	—
WD3027	132.20	132.20	75.80	75.80	20.10	5.90	2.30	4.8	5.3	—	—
WD3327	139.70	139.70	78.80	78.80	22.50	5.90	2.30	5.3	5.9	—	—
WD3627	147.20	147.20	81.60	81.60	25.00	5.90	2.30	5.8	6.4	—	—
WD3927	159.30	159.30	89.40	89.40	27.40	5.90	2.30	6.3	7.0	—	—

Options Key: D=Number of Doors DF=Number of Drawer Fronts DB=Drawer Box EXT=Extended Stiles EXP=Exposed End FL=Flush End
 MI=Matching Interior STR=Shaped Top Rail FT=Flush Toe FTRA=Flush Toe with Roman Arch Shape
 *Wood shelf upgrade



WD - Wall Deep w/Butt Doors

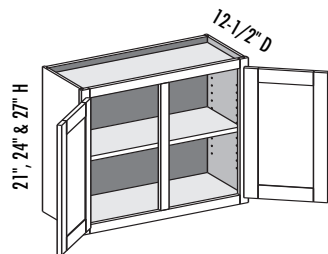


D	DF	DB	EXT	EXP	FL	MI	STR	FT	FTRA
2			✓	✓	✓	✓	✓		

- 21" high and 24" high has one shelf and 27" high has two shelves

Cabinet Code	Craftsman		Pioneer			Flush End (ea.)	Exposed End (ea.)	Doors		Drawer Fronts	
	3-sided	4-sided	3-sided	4-sided	Shelf*			1/2"	1 1/4"	1/2"	1 1/4"
WD3012BD	\$73.70	\$73.70	\$49.20	\$49.20	—	2.60	1.00	2.0	2.3	—	—
WD3312BD	77.30	77.30	51.10	51.10	—	2.60	1.00	2.1	2.6	—	—
WD3612BD	81.00	81.00	53.00	53.00	—	2.60	1.00	2.4	2.8	—	—
WD3015BD	77.40	77.40	51.00	51.00	—	3.30	1.30	2.5	3.0	—	—
WD3315BD	81.20	81.20	53.00	53.00	—	3.30	1.30	2.8	3.3	—	—
WD3615BD	84.80	84.80	55.00	55.00	—	3.30	1.30	3.1	3.6	—	—
WD3018BD	81.10	81.10	52.90	52.90	—	3.90	1.50	3.1	3.6	—	—
WD3318BD	84.90	84.90	54.90	54.90	—	3.90	1.50	3.4	3.9	—	—
WD3618BD	88.60	88.60	56.90	56.90	—	3.90	1.50	3.8	4.3	—	—
WD3021BD	102.30	102.30	60.80	60.80	10.00	4.60	1.80	3.7	4.2	—	—
WD3321BD	107.80	107.80	63.30	63.30	11.20	4.60	1.80	4.1	4.6	—	—
WD3621BD	113.50	113.50	65.80	65.80	12.40	4.60	1.80	4.5	5.0	—	—
WD3024BD	105.90	105.90	62.60	62.60	10.00	5.20	2.00	4.3	4.8	—	—
WD3324BD	111.60	111.60	65.30	65.30	11.20	5.20	2.00	4.7	5.3	—	—
WD3624BD	117.30	117.30	67.80	67.80	12.40	5.20	2.00	5.2	5.8	—	—
WD3027BD	129.20	129.20	72.80	72.80	20.10	5.90	2.30	4.8	5.4	—	—
WD3327BD	136.70	136.70	75.80	75.80	22.50	5.90	2.30	5.4	6.0	—	—
WD3627BD	144.20	144.20	78.60	78.60	25.00	5.90	2.30	5.9	6.5	—	—

W - Wall Cabinet



D	DF	DB	EXT	EXP	FL	MI	STR	FT	FTRA
2			✓	✓	✓	✓			

- 27" high has two shelves

Cabinet Code	Craftsman		Pioneer			Flush End (ea.)	Exposed End (ea.)	Doors		Drawer Fronts	
	3-sided	4-sided	3-sided	4-sided	Shelf*			1/2"	1 1/4"	1/2"	1 1/4"
W2721	\$74.00	\$74.00	\$53.50	\$53.50	\$4.60	\$2.30	\$0.90	3.2	3.7	—	—
W3021	77.60	77.60	55.40	55.40	5.20	2.30	0.90	3.6	4.1	—	—
W3321	81.20	81.20	57.30	57.30	6.00	2.30	0.90	4.0	4.6	—	—
W3621	84.80	84.80	59.10	59.10	6.70	2.30	0.90	4.4	5.0	—	—
W3921	93.50	93.50	66.10	66.10	7.40	2.30	0.90	4.8	5.4	—	—
W4221	97.10	97.10	68.10	68.10	8.10	2.30	0.90	5.2	5.8	—	—
W4521	100.70	100.70	69.90	69.90	8.80	2.30	0.90	5.6	6.3	—	—
W4821	104.50	104.50	71.90	71.90	9.50	2.30	0.90	6.0	6.7	—	—

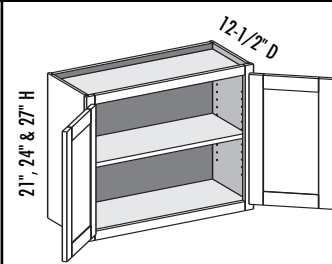
Options Key: D=Number of Doors DF=Number of Drawer Fronts DB=Drawer Box EXT=Extended Stiles EXP=Exposed End FL=Flush End
 MI=Matching Interior STR=Shaped Top Rail FT=Flush Toe FTRA=Flush Toe with Roman Arch Shape
 *Wood shelf upgrade



W - Wall Cabinet - continued

Cabinet Code	Craftsman		Pioneer			Flush End (ea.)	Exposed End (ea.)	Doors		Drawer Fronts	
	3-sided	4-sided	3-sided	4-sided	Shelf*			1/2"	1 1/4"	1/2"	1 1/4"
W2724	76.60	76.60	55.00	55.00	4.60	2.60	1.00	3.7	4.2	—	—
W3024	80.20	80.20	57.00	57.00	5.20	2.60	1.00	4.2	4.7	—	—
W3324	84.00	84.00	59.10	59.10	6.00	2.60	1.00	4.7	5.2	—	—
W3624	87.70	87.70	61.00	61.00	6.70	2.60	1.00	5.1	5.7	—	—
W3924	96.30	96.30	67.90	67.90	7.40	2.60	1.00	5.6	6.2	—	—
W4224	100.10	100.10	70.10	70.10	8.10	2.60	1.00	6.0	6.7	—	—
W4524	103.80	103.80	72.00	72.00	8.80	2.60	1.00	6.5	7.2	—	—
W4824	107.50	107.50	73.90	73.90	9.50	2.60	1.00	7.0	7.7	—	—
W3027	93.30	93.30	63.10	63.10	10.60	3.00	1.20	4.8	5.3	—	—
W3327	98.20	98.20	65.40	65.40	11.90	3.00	1.20	5.3	5.9	—	—
W3627	102.90	102.90	67.60	67.60	13.40	3.00	1.20	5.8	6.4	—	—

W - Wall Cabinet w/Butt Doors



D	DF	DB	EXT	EXP	FL	MI	STR	FT	FTRA
2			✓	✓	✓	✓	✓		

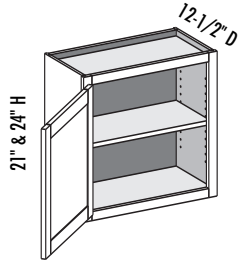
• 27" high has two shelves

Cabinet Code	Craftsman		Pioneer			Flush End (ea.)	Exposed End (ea.)	Doors		Drawer Fronts	
	3-sided	4-sided	3-sided	4-sided	Shelf*			1/2"	1 1/4"	1/2"	1 1/4"
W2421BD	\$67.60	\$67.60	\$48.90	\$48.90	\$3.90	\$2.30	\$0.90	2.9	3.3	—	—
W2721BD	71.40	71.40	50.90	50.90	4.60	2.30	0.90	3.3	3.8	—	—
W3021BD	75.00	75.00	52.80	52.80	5.20	2.30	0.90	3.7	4.2	—	—
W3321BD	78.60	78.60	54.70	54.70	6.00	2.30	0.90	4.1	4.6	—	—
W3621BD	82.30	82.30	56.60	56.60	6.70	2.30	0.90	4.5	5.0	—	—
W2424BD	70.00	70.00	50.30	50.30	3.90	2.60	1.00	3.3	3.8	—	—
W2724BD	74.20	74.20	52.70	52.70	4.60	2.60	1.00	3.8	4.3	—	—
W3024BD	77.40	77.40	54.20	54.20	5.20	2.60	1.00	4.3	4.8	—	—
W3324BD	81.20	81.20	56.30	56.30	6.00	2.60	1.00	4.7	5.3	—	—
W3624BD	84.90	84.90	58.20	58.20	6.70	2.60	1.00	5.2	5.8	—	—
W3027BD	90.30	90.30	60.10	60.10	10.60	3.00	1.20	4.8	5.4	—	—
W3327BD	95.20	95.20	62.40	62.40	11.90	3.00	1.20	5.4	6.0	—	—
W3627BD	99.90	99.90	64.60	64.60	13.40	3.00	1.20	5.9	6.5	—	—

Options Key: D=Number of Doors DF=Number of Drawer Fronts DB=Drawer Box EXT=Extended Stiles EXP=Exposed End FL=Flush End
 MI=Matching Interior STR=Shaped Top Rail FT=Flush Toe FTRA=Flush Toe with Roman Arch Shape
 *Wood shelf upgrade



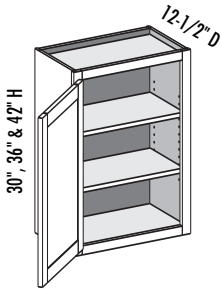
W - Wall Cabinet



D	DF	DB	EXT	EXP	FL	MI	STR	FT	FTRA
1			✓	✓	✓	✓	✓		

Cabinet Code	Craftsman		Pioneer			Flush End (ea.)	Exposed End (ea.)	Doors		Drawer Fronts	
	3-sided	4-sided	3-sided	4-sided	Shelf*			1/2"	1 1/4"	1/2"	1 1/4"
W2421	\$67.60	\$67.60	\$48.90	\$48.90	\$3.90	\$2.30	\$0.90	2.9	3.3	—	—
W2424	70.00	70.00	50.30	50.30	3.90	2.60	1.00	3.4	3.8	—	—

W - Wall Cabinet



D	DF	DB	EXT	EXP	FL	MI	STR	FT	FTRA
1			✓	✓	✓	✓	✓		

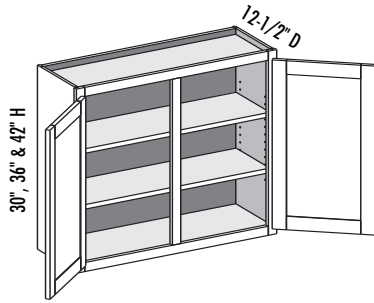
- 42" high has three shelves
- STR not available on 9" and 12" wide cabinets

Cabinet Code	Craftsman		Pioneer			Flush End (ea.)	Exposed End (ea.)	Doors		Drawer Fronts	
	3-sided	4-sided	3-sided	4-sided	Shelf*			1/2"	1 1/4"	1/2"	1 1/4"
W0930	\$57.40	\$57.40	\$44.00	\$44.00	\$3.00	\$3.30	\$1.30	1.4	1.7	—	—
W1230	62.50	62.50	46.50	46.50	3.00	3.30	1.30	1.9	2.4	—	—
W1530	67.30	67.30	48.90	48.90	3.40	3.30	1.30	2.5	3.0	—	—
W1830	72.80	72.80	51.80	51.80	4.90	3.30	1.30	3.1	3.6	—	—
W2130	77.90	77.90	54.30	54.30	6.20	3.30	1.30	3.7	4.2	—	—
W2430	82.70	82.70	56.50	56.50	7.70	3.30	1.30	4.3	4.8	—	—
W0936	61.20	61.20	46.00	46.00	3.00	4.00	1.60	1.7	2.1	—	—
W1236	66.40	66.40	48.60	48.60	3.00	4.00	1.60	2.4	2.8	—	—
W1536	71.40	71.40	51.10	51.10	3.40	4.00	1.60	3.1	3.6	—	—
W1836	77.10	77.10	54.10	54.10	4.90	4.00	1.60	3.8	4.3	—	—
W2136	82.20	82.20	56.70	56.70	6.20	4.00	1.60	4.5	5.1	—	—
W2436	87.20	87.20	59.10	59.10	7.70	4.00	1.60	5.2	5.8	—	—
W0942	74.00	74.00	56.50	56.50	3.00	4.60	1.80	1.9	2.4	—	—
W1242	80.30	80.30	59.30	59.30	3.00	4.60	1.80	2.8	3.3	—	—
W1542	86.50	86.50	62.20	62.20	5.10	4.60	1.80	3.6	4.2	—	—
W1842	92.60	92.60	65.00	65.00	7.30	4.60	1.80	4.4	5.0	—	—
W2142	98.90	98.90	67.70	67.70	9.50	4.60	1.80	5.3	5.9	—	—
W2442	105.00	105.00	70.50	70.50	11.60	4.60	1.80	6.1	6.8	—	—

Options Key: D=Number of Doors DF=Number of Drawer Fronts DB=Drawer Box EXT=Extended Stiles EXP=Exposed End FL=Flush End MI=Matching Interior STR=Shaped Top Rail FT=Flush Toe FTRA=Flush Toe with Roman Arch Shape
*Wood shelf upgrade



W - Wall Cabinet



D	DF	DB	EXT	EXP	FL	MI	STR	FT	FTRA
2			✓	✓	✓	✓			

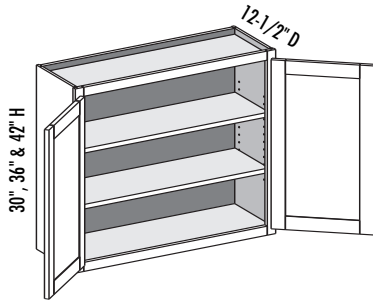
- 42" high has three shelves

Cabinet Code	Craftsman		Pioneer			Flush End (ea.)	Exposed End (ea.)	Doors		Drawer Fronts	
	3-sided	4-sided	3-sided	4-sided	Shelf*			1/2"	1 1/4"	1/2"	1 1/4"
W2730	\$91.20	\$91.20	\$62.60	\$62.60	\$9.10	\$3.30	\$1.30	4.8	5.3	—	—
W3030	96.00	96.00	64.80	64.80	10.60	3.30	1.30	5.3	5.9	—	—
W3330	101.10	101.10	67.30	67.30	11.90	3.30	1.30	5.9	6.6	—	—
W3630	105.90	105.90	69.50	69.50	13.40	3.30	1.30	6.5	7.2	—	—
W3930	111.50	111.50	72.70	72.70	14.80	3.30	1.30	7.1	7.8	—	—
W4230	116.40	116.40	75.00	75.00	16.20	3.30	1.30	7.7	8.4	—	—
W4530	121.40	121.40	77.40	77.40	17.60	3.30	1.30	8.3	9.0	—	—
W4830	126.20	126.20	79.80	79.80	19.00	3.30	1.30	8.8	9.6	—	—
W2736	96.30	96.30	65.70	65.70	9.10	4.00	1.60	5.8	6.4	—	—
W3036	101.30	101.30	68.10	68.10	10.60	4.00	1.60	6.5	7.1	—	—
W3336	107.40	107.40	71.60	71.60	11.90	4.00	1.60	7.2	7.9	—	—
W3636	112.40	112.40	74.00	74.00	13.40	4.00	1.60	7.9	8.6	—	—
W3936	118.60	118.60	77.70	77.70	14.80	4.00	1.60	8.6	9.4	—	—
W4236	123.60	123.60	80.10	80.10	16.20	4.00	1.60	9.3	10.1	—	—
W4536	128.80	128.80	82.70	82.70	17.60	4.00	1.60	10.0	10.8	—	—
W4836	133.80	133.80	85.20	85.20	19.00	4.00	1.60	10.7	11.6	—	—
W2742	111.70	111.70	73.70	73.70	13.70	4.60	1.80	6.8	7.5	—	—
W3042	117.80	117.80	76.50	76.50	15.80	4.60	1.80	7.6	8.4	—	—
W3342	125.30	125.30	80.70	80.70	17.90	4.60	1.80	8.5	9.2	—	—
W3642	131.70	131.70	83.70	83.70	20.00	4.60	1.80	9.3	10.1	—	—
W3942	137.80	137.80	86.40	86.40	22.20	4.60	1.80	10.1	11.0	—	—
W4242	144.00	144.00	89.20	89.20	24.30	4.60	1.80	11.0	11.8	—	—
W4542	150.30	150.30	92.10	92.10	26.40	4.60	1.80	11.8	12.7	—	—
W4842	156.50	156.50	94.90	94.90	28.50	4.60	1.80	12.6	13.5	—	—

Options Key: D=Number of Doors DF=Number of Drawer Fronts DB=Drawer Box EXT=Extended Stiles EXP=Exposed End FL=Flush End MI=Matching Interior STR=Shaped Top Rail FT=Flush Toe FTRA=Flush Toe with Roman Arch Shape
*Wood shelf upgrade



W - Wall Cabinet w/Butt Doors

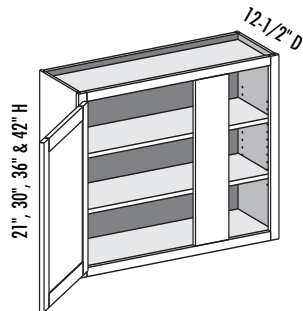


D	DF	DB	EXT	EXP	FL	MI	STR	FT	FTRA
2			✓	✓	✓	✓	✓		

- 42" high has three shelves

Cabinet Code	Craftsman		Pioneer			Flush End (ea.)	Exposed End (ea.)	Doors		Drawer Fronts	
	3-sided	4-sided	3-sided	4-sided	Shelf*			1/2"	1 1/4"	1/2"	1 1/4"
W2430BD	\$82.70	\$82.70	\$56.50	\$56.50	\$7.70	\$3.30	\$1.30	4.3	4.8	—	—
W2730BD	87.90	87.90	59.30	59.30	9.10	3.30	1.30	4.8	5.4	—	—
W3030BD	92.80	92.80	61.60	61.60	10.60	3.30	1.30	5.4	6.0	—	—
W3330BD	97.80	97.80	64.00	64.00	11.90	3.30	1.30	6.0	6.6	—	—
W3630BD	102.60	102.60	66.20	66.20	13.40	3.30	1.30	6.6	7.2	—	—
W2436BD	87.20	87.20	57.70	57.70	7.70	4.00	1.60	5.2	5.8	—	—
W2736BD	92.60	92.60	62.00	62.00	9.10	4.00	1.60	5.9	6.5	—	—
W3036BD	97.60	97.60	64.40	64.40	10.60	4.00	1.60	6.6	7.2	—	—
W3336BD	103.80	103.80	68.00	68.00	11.90	4.00	1.60	7.3	8.0	—	—
W3636BD	108.70	108.70	70.30	70.30	13.40	4.00	1.60	8.0	8.7	—	—
W2442BD	105.00	105.00	70.50	70.50	11.60	4.60	1.80	6.1	6.7	—	—
W2742BD	107.60	107.60	69.60	69.60	13.70	4.60	1.80	6.9	7.6	—	—
W3042BD	113.70	113.70	72.40	72.40	15.80	4.60	1.80	7.7	8.5	—	—
W3342BD	121.20	121.20	76.60	76.60	17.90	4.60	1.80	8.6	9.3	—	—
W3642BD	127.60	127.60	79.60	79.60	20.00	4.60	1.80	9.4	10.2	—	—

WBC - Wall Blind Corner Single Entry



D	DF	DB	EXT	EXP	FL	MI	STR	FT	FTRA
1				✓	✓	✓			

- Units are reversible
- 21" high has one shelf
- 42" high has three shelves

Cabinet Code	Craftsman		Pioneer			Flush End (ea.)	Exposed End (ea.)	Doors		Drawer Fronts	
	3-sided	4-sided	3-sided	4-sided	Shelf*			1/2"	1 1/4"	1/2"	1 1/4"
WBC2721	\$79.10	\$79.10	\$58.60	\$58.60	\$4.60	\$2.30	\$0.90	1.5	1.9	—	—
WBC3621	90.00	90.00	64.30	64.30	6.70	2.30	0.90	2.7	3.1	—	—
WBC2730	98.40	98.40	69.80	69.80	9.10	3.30	1.30	2.2	2.7	—	—
WBC3030	103.20	103.20	72.00	72.00	10.60	3.30	1.30	2.8	3.3	—	—
WBC3630	113.10	113.10	76.70	76.70	13.40	3.30	1.30	4.0	4.5	—	—
WBC2736	104.70	104.70	74.10	74.10	9.10	4.00	1.60	2.7	3.2	—	—
WBC3036	109.70	109.70	76.50	76.50	10.60	4.00	1.60	3.4	3.9	—	—
WBC3636	120.70	120.70	82.30	82.30	13.40	4.00	1.60	4.8	5.4	—	—

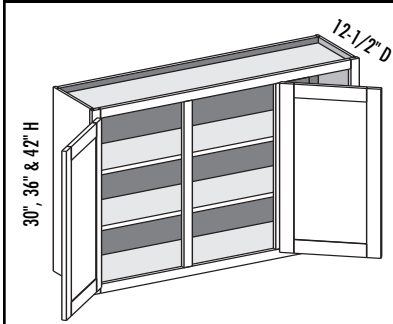
Options Key: D=Number of Doors DF=Number of Drawer Fronts DB=Drawer Box EXT=Extended Stiles EXP=Exposed End FL=Flush End MI=Matching Interior STR=Shaped Top Rail FT=Flush Toe FTRA=Flush Toe with Roman Arch Shape
*Wood shelf upgrade



WBC - Wall Blind Corner Single Entry - continued

Cabinet Code	Craftsman		Pioneer			Flush End (ea.)	Exposed End (ea.)	Doors		Drawer Fronts	
	3-sided	4-sided	3-sided	4-sided	Shelf*			1/2"	1 1/4"	1/2"	1 1/4"
WBC2742	121.30	121.30	83.30	83.30	13.70	4.60	1.80	3.2	3.7	—	—
WBC3042	127.50	127.50	86.20	86.20	15.80	4.60	1.80	4.0	4.6	—	—
WBC3642	141.30	141.30	93.30	93.30	20.00	4.60	1.80	5.7	6.3	—	—

WBC - Wall Blind Corner Single Entry

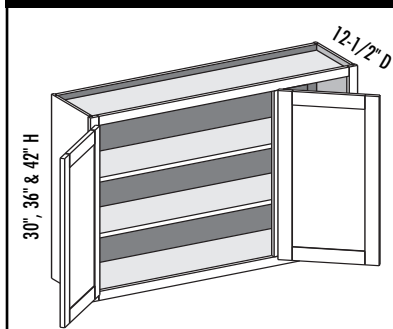


D	DF	DB	EXT	EXP	FL	MI	STR	FT	FTRA
2				✓	✓	✓			

- 42" high has three shelves

Cabinet Code	Craftsman		Pioneer			Flush End (ea.)	Exposed End (ea.)	Doors		Drawer Fronts	
	3-sided	4-sided	3-sided	4-sided	Shelf*			1/2"	1 1/4"	1/2"	1 1/4"
WBC4230	\$125.60	\$125.60	\$84.20	\$84.20	\$16.20	\$3.30	\$1.30	5.1	5.6	—	—
WBC4830	135.40	135.40	89.00	89.00	19.00	3.30	1.30	6.2	6.9	—	—
WBC4236	134.40	134.40	90.90	90.90	16.20	4.00	1.60	3.1	3.4	—	—
WBC4836	144.60	144.60	96.00	96.00	19.00	4.00	1.60	3.8	4.1	—	—
WBC4242	156.60	156.60	101.80	101.80	24.30	4.60	1.80	7.2	7.9	—	—
WBC4842	169.00	169.00	107.40	107.40	28.50	4.60	1.80	8.9	9.7	—	—

WBC - Wall Blind Corner Single Entry w/Butt Doors



D	DF	DB	EXT	EXP	FL	MI	STR	FT	FTRA
2				✓	✓	✓			

- Units are reversible
- 42" high has three shelves

Cabinet Code	Craftsman		Pioneer			Flush End (ea.)	Exposed End (ea.)	Doors		Drawer Fronts	
	3-sided	4-sided	3-sided	4-sided	Shelf*			1/2"	1 1/4"	1/2"	1 1/4"
WBC4230BD	\$122.50	\$122.50	\$81.10	\$81.10	\$16.20	\$3.30	\$1.30	5.1	5.7	—	—
WBC4830BD	132.40	132.40	86.00	86.00	19.00	3.30	1.30	6.3	6.9	—	—
WBC4236BD	131.00	131.00	87.50	87.50	16.20	4.00	1.60	3.1	3.4	—	—
WBC4836BD	141.10	141.10	92.50	92.50	19.00	4.00	1.60	3.8	4.2	—	—
WBC4242BD	152.60	152.60	97.80	97.80	24.30	4.60	1.80	7.3	8.0	—	—
WBC4842BD	165.10	165.10	103.50	103.50	28.50	4.60	1.80	9.0	9.8	—	—

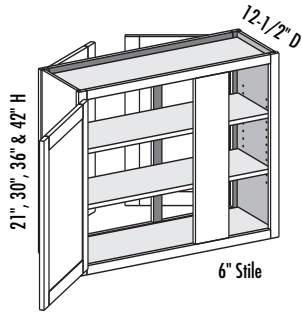
Options Key: D=Number of Doors DF=Number of Drawer Fronts DB=Drawer Box EXT=Extended Stiles EXP=Exposed End FL=Flush End
 MI=Matching Interior STR=Shaped Top Rail FT=Flush Toe FTRA=Flush Toe with Roman Arch Shape
 *Wood shelf upgrade

WALL CABINETS

Cabinet Systems



WBD - Wall Blind Corner Double Entry

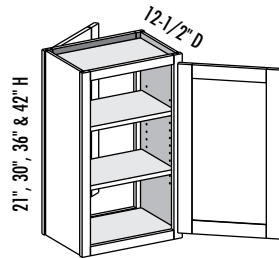


D	DF	DB	EXT	EXP	FL	MI	STR	FT	FTRA
3			✓	✓	✓	✓			

- Units are reversible
- 21" high has one shelf
- 42" high has three shelves

Cabinet Code	Craftsman		Pioneer			Flush End (ea.)	Exposed End (ea.)	Doors		Drawer Fronts	
	3-sided	4-sided	3-sided	4-sided	Shelf*			1/2"	1 1/4"	1/2"	1 1/4"
WBD2721	\$89.40	\$89.40	\$70.50	\$70.50	\$4.10	\$2.20	\$0.90	4.7	5.6	—	—
WBD3621	98.50	98.50	74.90	74.90	6.20	2.20	0.90	7.1	8.1	—	—
WBD2730	108.60	108.60	82.50	82.50	8.20	3.10	1.20	7.0	8.0	—	—
WBD3630	120.80	120.80	87.60	87.60	12.40	3.10	1.20	10.5	11.7	—	—
WBD2736	114.50	114.50	86.70	86.70	8.20	3.80	1.50	8.5	9.6	—	—
WBD3636	127.70	127.70	92.90	92.90	12.40	3.80	1.50	12.7	14.1	—	—
WBD2742	131.00	131.00	96.80	96.80	12.20	4.40	1.70	10.0	11.2	—	—
WBD3642	147.60	147.60	103.90	103.90	18.60	4.40	1.70	15.0	16.4	—	—

WDE - Wall Double Entry



D	DF	DB	EXT	EXP	FL	MI	STR	FT	FTRA
2			✓	✓	✓	✓	✓		

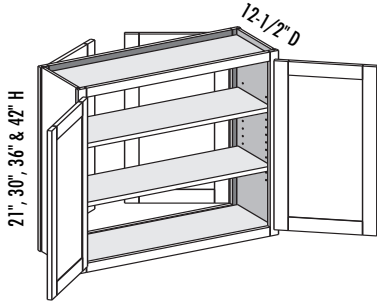
- 21" high has one shelf
- 42" high has three shelves

Cabinet Code	Craftsman		Pioneer			Flush End (ea.)	Exposed End (ea.)	Doors		Drawer Fronts	
	3-sided	4-sided	3-sided	4-sided	Shelf*			1/2"	1 1/4"	1/2"	1 1/4"
WDE1821	\$66.90	\$66.90	\$52.80	\$52.80	\$3.00	\$2.20	\$0.90	4.2	5.0	—	—
WDE2421	73.00	73.00	55.70	55.70	3.40	2.20	0.90	5.8	6.7	—	—
WDE1830	77.90	77.90	59.00	59.00	3.90	3.10	1.20	6.2	7.2	—	—
WDE2430	86.00	86.00	62.30	62.30	6.70	3.10	1.20	8.6	9.6	—	—
WDE1836	81.10	81.10	60.50	60.50	3.90	3.80	1.50	7.6	8.6	—	—
WDE2436	89.20	89.20	63.90	63.90	6.70	3.80	1.50	10.4	11.6	—	—
WDE1842	95.50	95.50	70.90	70.90	5.90	4.40	1.70	8.9	10.1	—	—
WDE2442	105.80	105.80	74.80	74.80	10.10	4.40	1.70	12.2	13.5	—	—

Options Key: D=Number of Doors DF=Number of Drawer Fronts DB=Drawer Box EXT=Extended Stiles EXP=Exposed End FL=Flush End
 MI=Matching Interior STR=Shaped Top Rail FT=Flush Toe FTRA=Flush Toe with Roman Arch Shape
 *Wood shelf upgrade



WDE - Wall Double Entry w/Butt Doors

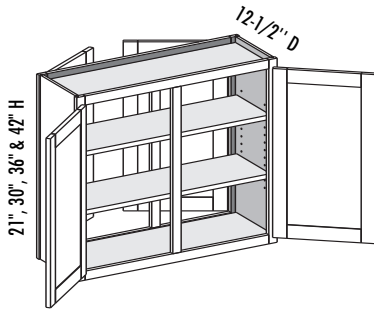


D	DF	DB	EXT	EXP	FL	MI	STR	FT	FTRA
4			✓	✓	✓	✓	✓		

- 21" high has one shelf
- 42" high has three shelves

Cabinet Code	Craftsman		Pioneer			Flush End (ea.)	Exposed End (ea.)	Doors		Drawer Fronts	
	3-sided	4-sided	3-sided	4-sided	Shelf*			1/2"	1 1/4"	1/2"	1 1/4"
WDE2421BD	\$73.00	\$73.00	\$55.70	\$55.70	\$3.40	\$2.20	\$0.90	5.8	6.7	—	—
WDE2721BD	76.10	76.10	57.20	57.20	4.10	2.20	0.90	6.6	7.5	—	—
WDE3621BD	85.20	85.20	61.60	61.60	6.20	2.20	0.90	8.9	10.1	—	—
WDE2430BD	86.00	86.00	62.30	62.30	6.70	3.10	1.20	8.5	9.6	—	—
WDE2730BD	90.50	90.50	64.40	64.40	8.20	3.10	1.20	9.7	10.8	—	—
WDE3030BD	94.50	94.50	66.10	66.10	9.60	3.10	1.20	10.8	12.0	—	—
WDE3630BD	102.70	102.70	69.50	69.50	12.40	3.10	1.20	13.2	14.5	—	—
WDE2436BD	89.20	89.20	63.90	63.90	6.70	3.80	1.50	10.3	11.5	—	—
WDE2736BD	93.70	93.70	65.90	65.90	8.20	3.80	1.50	11.7	13.0	—	—
WDE3636BD	106.80	106.80	72.00	72.00	12.40	3.80	1.50	16.0	17.4	—	—
WDE2442BD	105.80	105.80	74.80	74.80	10.10	4.40	1.70	12.2	13.5	—	—
WDE2742BD	107.10	107.10	72.90	72.90	12.20	4.40	1.70	13.8	15.2	—	—
WDE3642BD	119.60	119.60	76.30	76.30	18.60	4.40	1.70	18.8	20.4	—	—

WDE - Wall Double Entry



D	DF	DB	EXT	EXP	FL	MI	STR	FT	FTRA
4			✓	✓	✓	✓			

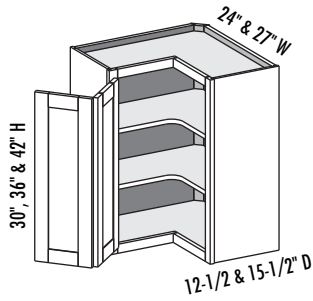
- 21" high has one shelf
- 42" high has three shelves

Cabinet Code	Craftsman		Pioneer			Flush End (ea.)	Exposed End (ea.)	Doors		Drawer Fronts	
	3-sided	4-sided	3-sided	4-sided	Shelf*			1/2"	1 1/4"	1/2"	1 1/4"
WDE2721	\$81.30	\$81.30	\$62.40	\$62.40	\$4.10	\$2.20	\$0.90	6.5	7.4	—	—
WDE3621	102.50	102.50	71.80	71.80	12.40	2.20	0.90	8.8	10.0	—	—
WDE2730	97.00	97.00	70.90	70.90	8.20	3.10	1.20	9.5	10.7	—	—
WDE3030	101.10	101.10	72.70	72.70	9.60	3.10	1.20	10.7	11.7	—	—
WDE3630	109.20	109.20	76.00	76.00	12.40	3.10	1.20	13.0	14.3	—	—
WDE2736	101.00	101.00	73.20	73.20	8.20	3.80	1.50	11.6	12.8	—	—
WDE3636	114.20	114.20	79.40	79.40	12.40	3.80	1.50	15.8	17.3	—	—
WDE2742	115.30	115.30	81.10	81.10	12.20	4.40	1.70	13.6	15.0	—	—
WDE3642	131.90	131.90	88.20	88.20	18.60	4.40	1.70	18.6	20.2	—	—

Options Key: D=Number of Doors DF=Number of Drawer Fronts DB=Drawer Box EXT=Extended Stiles EXP=Exposed End FL=Flush End MI=Matching Interior STR=Shaped Top Rail FT=Flush Toe FTRA=Flush Toe with Roman Arch Shape
*Wood shelf upgrade



WCP - Wall Corner Pie Cut

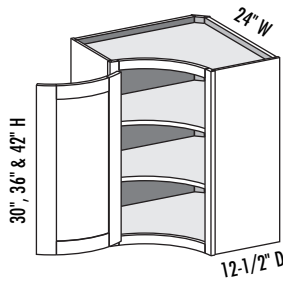


D	DF	DB	EXT	EXP	FL	MI	STR	FT	FTRA
2			✓	✓	✓	✓			

- Optional Soss hinges available
- 42" high has three shelves
- WCP 27 units have 15-1/2" deep sides

Cabinet Code	Craftsman		Pioneer			Flush End (ea.)	Exposed End (ea.)	Doors		Drawer Fronts	
	3-sided	4-sided	3-sided	4-sided	Shelf*			1/2"	1/4"	1/2"	1/4"
WCP2430	\$102.10	\$102.10	\$76.40	\$76.40	\$4.30	\$3.30	\$1.30	3.8	4.3	—	—
WCP2730	182.20	182.20	97.60	97.60	51.90	4.10	1.60	3.8	4.3	—	—
WCP2436	108.10	108.10	80.00	80.00	4.30	4.00	1.60	4.6	5.1	—	—
WCP2736	189.10	189.10	101.60	101.60	51.90	5.00	1.90	4.6	5.1	—	—
WCP2442	127.40	127.40	94.20	94.20	6.30	4.60	1.80	5.4	6.0	—	—
WCP2742	239.20	239.20	123.00	123.00	77.70	5.80	2.30	5.4	6.0	—	—

WCC - Wall Corner Concave



D	DF	DB	EXT	EXP	FL	MI	STR	FT	FTRA
1				✓	✓	✓			

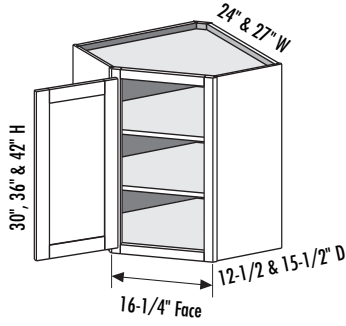
- Craftsman line only
- 12-3/8" radius on face of front frame
- 42" high has three shelves
- Door requires 10 day lead-time
- C-lip door uses 12" R
- See Radius Products section of Custom Product Manual for door pricing information

Cabinet Code	Craftsman		Pioneer			Flush End (ea.)	Exposed End (ea.)	Doors		Drawer Fronts	
	3-sided	4-sided	3-sided	4-sided	Shelf*			1/2"	1/4"	1/2"	1/4"
WCC2430	\$182.10	\$182.10	—	—	—	\$3.40	\$1.30	11-5/8R	11-5/8R	—	—
WCC2436	191.80	191.80	—	—	—	4.00	1.60	11-5/8R	11-5/8R	—	—
WCC2442	210.80	210.80	—	—	—	4.60	1.80	11-5/8R	11-5/8R	—	—

Options Key: D=Number of Doors DF=Number of Drawer Fronts DB=Drawer Box EXT=Extended Stiles EXP=Exposed End FL=Flush End MI=Matching Interior STR=Shaped Top Rail FT=Flush Toe FTRA=Flush Toe with Roman Arch Shape
*Wood shelf upgrade



WCS - Wall Diagonal Corner Single Entry



D	DF	DB	EXT	EXP	FL	MI	STR	FT	FTRA
1				✓	✓	✓			

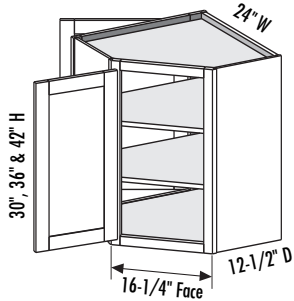
- 42" high has three shelves
- Shelves standard
- Optional 18" round Rev-A-Shelf Susan with 30" high only
- WCS 27 units have 15-1/2" deep sides

Susan Option Upgrade Pricing

Cabinet Code	Craftsman	Pioneer
WCS2430	\$17.40	\$24.60

Cabinet Code	Craftsman		Pioneer			Flush End (ea.)	Exposed End (ea.)	Doors		Drawer Fronts	
	3-sided	4-sided	3-sided	4-sided	Shelf*			1/2"	1 1/4"	1/2"	1 1/4"
WCS2430	\$103.10	\$103.10	\$75.70	\$75.70	\$6.10	\$3.30	\$1.30	2.8	3.0	—	—
WCS2730	183.20	183.20	97.00	97.00	53.60	4.10	1.60	2.8	3.0	—	—
WCS2436	109.50	109.50	79.80	79.80	6.10	4.00	1.60	3.4	3.6	—	—
WCS2736	190.60	190.60	101.50	101.50	53.60	5.00	1.90	3.4	3.6	—	—
WCS2442	129.20	129.20	93.40	93.40	9.00	4.60	1.80	4.0	4.2	—	—
WCS2742	241.00	241.00	122.20	122.20	80.40	5.80	2.30	4.0	4.2	—	—

WCD - Wall Diagonal Corner Double Entry



D	DF	DB	EXT	EXP	FL	MI	STR	FT	FTRA
2				✓	✓	✓			

- 42" high has three shelves
- Shelves standard
- Optional 18" round Rev-A-Shelf Susan with 30" high only

Susan Option Upgrade Pricing

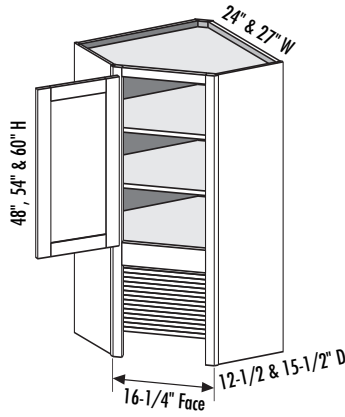
Cabinet Code	Craftsman	Pioneer
WCD2430	\$17.20	\$23.60

Cabinet Code	Craftsman		Pioneer			Flush End (ea.)	Exposed End (ea.)	Doors		Drawer Fronts	
	3-sided	4-sided	3-sided	4-sided	Shelf*			1/2"	1 1/4"	1/2"	1 1/4"
WCD2430	\$106.40	\$106.40	\$82.90	\$82.90	\$5.10	\$3.30	\$1.30	6.8	7.5	—	—
WCD2436	112.60	112.60	87.10	87.10	5.10	4.00	1.60	8.3	9.0	—	—
WCD2442	132.40	132.40	101.70	101.70	7.80	4.60	1.80	9.7	10.5	—	—

Options Key: D=Number of Doors DF=Number of Drawer Fronts DB=Drawer Box EXT=Extended Stiles EXP=Exposed End FL=Flush End MI=Matching Interior STR=Shaped Top Rail FT=Flush Toe FTRA=Flush Toe with Roman Arch Shape
*Wood shelf upgrade



WCA - Wall Corner Appliance Garage



D	DF	DB	EXT	EXP	FL	MI	STR	FT	FTRA
1				STD	✓	✓			

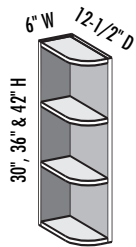
- Tambour door standard
- 60" high has three shelves
- Shelves standard
- WCA 27 units have 15-1/2" deep sides
- Optional 18" round Rev-A-Shelf Susan with 48" high only
- Matching door optional for bottom
1/2" overlay - 1.6 ft²
1-1/4" overlay - 1.7 ft²

Susan Option Upgrade Pricing

Cabinet Code	Craftsman	Pioneer
WCA2448	\$17.40	\$24.60

Cabinet Code	Craftsman		Pioneer			Flush End (ea.)	Exposed End (ea.)	Doors		Drawer Fronts	
	3-sided	4-sided	3-sided	4-sided	Shelf*			1/2"	1/4"	1/2"	1/4"
WCA2448	\$160.00	\$160.00	\$126.90	\$126.90	\$6.10	\$5.30	STD	2.8	3.0	—	—
WCA2748	242.60	242.60	149.30	149.30	53.60	6.60	STD	2.8	3.0	—	—
WCA2454	164.00	164.00	128.50	128.50	6.10	6.00	STD	3.4	3.6	—	—
WCA2754	247.60	247.60	151.40	151.40	53.60	7.50	STD	3.4	3.6	—	—
WCA2460	178.90	178.90	137.40	137.40	9.00	6.60	STD	4.0	4.2	—	—
WCA2760	293.20	293.20	167.40	167.40	80.40	8.30	STD	4.0	4.2	—	—

WOS - Wall Open Shelf



D	DF	DB	EXT	EXP	FL	MI	STR	FT	FTRA
						STD			

- Craftsman line only
- Reversible
- 3/4" matching specie plywood with dowel construction
- Exposed edges are banded with matching specie veneer
- Hard Maple plywood for Hard and Soft Maple lines

Cabinet Code	Craftsman		Pioneer			Flush End (ea.)	Exposed End (ea.)	Doors		Drawer Fronts	
	3-sided	4-sided	3-sided	4-sided	Shelf*			1/2"	1/4"	1/2"	1/4"
WOS0630	\$59.90	\$59.90	—	—	—	—	—	—	—	—	—
WOS0636	62.10	62.10	—	—	—	—	—	—	—	—	—
WOS0642	69.10	69.10	—	—	—	—	—	—	—	—	—

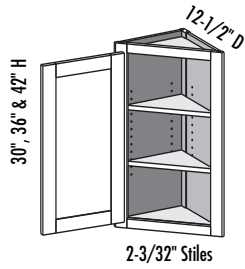
Options Key: D=Number of Doors DF=Number of Drawer Fronts DB=Drawer Box EXT=Extended Stiles EXP=Exposed End FL=Flush End
MI=Matching Interior STR=Shaped Top Rail FT=Flush Toe FTRA=Flush Toe with Roman Arch Shape
*Wood shelf upgrade



Options Key: D=Number of Doors DF=Number of Drawer Fronts DB=Drawer Box EXT=Extended Stiles EXP=Exposed End FL=Flush End
MI=Matching Interior STR=Shaped Top Rail FT=Flush Toe FTRA=Flush Toe with Roman Arch Shape
*Wood shelf upgrade



WAE - Wall Angle End

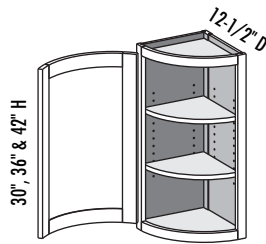


D	DF	DB	EXT	EXP	FL	MI	STR	FT	FTRA
1						✓			

- 42" high has three shelves

Cabinet Code	Craftsman		Pioneer			Flush End (ea.)	Exposed End (ea.)	Doors		Drawer Fronts	
	3-sided	4-sided	3-sided	4-sided	Shelf*			1/2"	1 1/4"	1/2"	1 1/4"
WAE1230	\$58.40	\$58.40	\$45.10	\$45.10	\$3.00	—	—	2.8	3.4	—	—
WAE1236	61.70	61.70	46.70	46.70	3.00	—	—	3.4	4.1	—	—
WAE1242	73.90	73.90	56.70	56.70	3.00	—	—	4.0	4.8	—	—

WCX - Wall Corner Convex

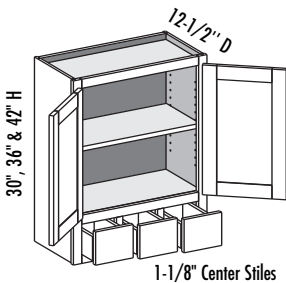


D	DF	DB	EXT	EXP	FL	MI	STR	FT	FTRA
1						✓			

- Craftsman line only
- Radius 11-5/8" on face of front
- 42" high has three shelves
- Door requires 10 day lead-time
- C-Lip door uses 12"R
- See Radius Products section of Custom Product Manual for door pricing information

Cabinet Code	Craftsman		Pioneer			Flush End (ea.)	Exposed End (ea.)	Doors		Drawer Fronts	
	3-sided	4-sided	3-sided	4-sided	Shelf*			1/2"	1 1/4"	1/2"	1 1/4"
WCX1230	\$139.60	\$139.60	—	—	—	—	—	12-3/8R	12-3/8R	—	—
WCX1236	146.70	146.70	—	—	—	—	—	12-3/8R	12-3/8R	—	—
WCX1242	158.90	158.90	—	—	—	—	—	12-3/8R	12-3/8R	—	—

WSD - Wall Spice Drawer w/Butt Doors



D	DF	DB	EXT	EXP	FL	MI	STR	FT	FTRA
2	3	3	✓	✓	✓	✓	✓		

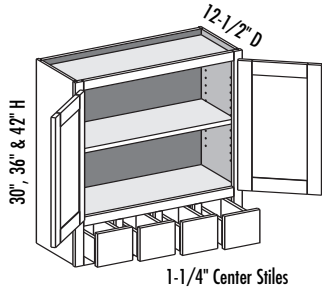
- 42" H has two shelves
- No drawer slides

Cabinet Code	Craftsman		Pioneer			Flush End (ea.)	Exposed End (ea.)	Doors		Drawer Fronts	
	3-sided	4-sided	3-sided	4-sided	Shelf*			1/2"	1 1/4"	1/2"	1 1/4"
WSD2430BD	—	\$126.80	—	\$104.20	\$3.70	\$3.30	\$1.30	3.3	3.6	0.9	1.1
WSD2436BD	—	139.50	—	111.20	3.70	4.00	1.60	4.2	4.6	0.9	1.1
WSD2442BD	—	158.40	—	123.50	7.40	4.60	1.80	5.1	5.6	0.9	1.1

Options Key: D=Number of Doors DF=Number of Drawer Fronts DB=Drawer Box EXT=Extended Stiles EXP=Exposed End FL=Flush End MI=Matching Interior STR=Shaped Top Rail FT=Flush Toe FTRA=Flush Toe with Roman Arch Shape
 *Wood shelf upgrade



WSD - Wall Spice Drawer w/Butt Doors

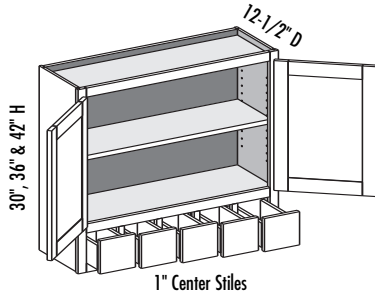


D	DF	DB	EXT	EXP	FL	MI	STR	FT	FTRA
2	4	4	✓	✓	✓	✓	✓		

- 42" high has two shelves
- No drawer slides

Cabinet Code	Craftsman		Pioneer			Flush End (ea.)	Exposed End (ea.)	Doors		Drawer Fronts	
	3-sided	4-sided	3-sided	4-sided	Shelf*			1/2"	1 1/4"	1/2"	1 1/4"
WSD3030BD	—	\$161.20	—	\$130.30	\$5.10	\$3.30	\$1.30	4.2	4.5	1.1	1.3
WSD3036BD	—	\$167.60	—	\$134.40	\$5.10	\$4.00	\$1.60	5.3	5.8	1.1	1.3
WSD3042BD	—	\$184.00	—	\$142.80	\$10.20	\$4.60	\$1.80	6.5	7.0	1.1	1.3

WSD - Wall Spice Drawer w/Butt Doors

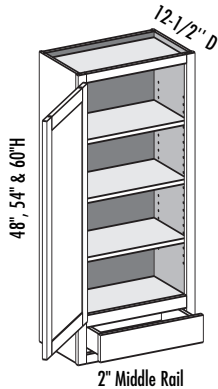


D	DF	DB	EXT	EXP	FL	MI	STR	FT	FTRA
2	5	5	✓	✓	✓	✓	✓		

- 42" high has two shelves
- No drawer slides

Cabinet Code	Craftsman		Pioneer			Flush End (ea.)	Exposed End (ea.)	Doors		Drawer Fronts	
	3-sided	4-sided	3-sided	4-sided	Shelf*			1/2"	1 1/4"	1/2"	1 1/4"
WSD3630BD	—	\$186.10	—	\$150.60	\$6.50	\$3.30	\$1.30	5.1	5.5	1.4	1.6
WSD3636BD	—	\$193.00	—	\$155.20	\$6.50	\$4.00	\$1.60	6.5	6.9	1.4	1.6
WSD3642BD	—	\$212.20	—	\$164.60	\$13.00	\$4.60	\$1.80	7.9	8.4	1.4	1.6

W1D - Wall 1 Drawer



D	DF	DB	EXT	EXP	FL	MI	STR	FT	FTRA
1	1	1	✓	STD	✓	✓	✓		

- 60" high has four shelves

Cabinet Code	Craftsman		Pioneer			Flush End (ea.)	Exposed End (ea.)	Doors		Drawer Fronts	
	3-sided	4-sided	3-sided	4-sided	Shelf*			1/2"	1 1/4"	1/2"	1 1/4"
W1D1548	\$121.70	\$132.60	\$92.10	\$103.00	\$5.10	\$5.30	STD	3.6	4.2	0.5	0.5
W1D1848	130.30	141.90	96.70	108.30	7.30	5.30	STD	4.4	5.0	0.6	0.6
W1D2148	139.10	151.30	101.40	113.60	9.50	5.30	STD	5.3	5.9	0.7	0.7

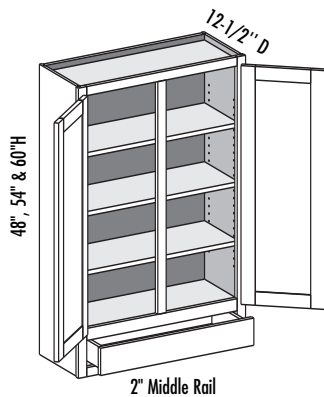
Options Key: D=Number of Doors DF=Number of Drawer Fronts DB=Drawer Box EXT=Extended Stiles EXP=Exposed End FL=Flush End MI=Matching Interior STR=Shaped Top Rail FT=Flush Toe FTRA=Flush Toe with Roman Arch Shape
 *Wood shelf upgrade



W1D - Wall 1 Drawer - continued

Cabinet Code	Craftsman		Pioneer			Flush End (ea.)	Exposed End (ea.)	Doors		Drawer Fronts	
	3-sided	4-sided	3-sided	4-sided	Shelf*			1/2"	1/4"	1/2"	1/4"
W1D2448	147.80	160.60	106.00	118.80	11.60	5.30	STD	6.1	6.8	0.8	0.9
W1D1554	124.00	134.90	92.40	103.30	5.10	6.00	STD	4.2	4.8	0.5	0.5
W1D1854	133.00	144.60	97.40	109.00	7.30	6.00	STD	5.1	5.8	0.6	0.6
W1D2154	142.00	154.20	102.20	114.40	9.50	6.00	STD	6.1	6.8	0.7	0.7
W1D2454	151.10	163.90	107.20	120.00	11.60	6.00	STD	7.0	7.8	0.8	0.9
W1D1560	134.10	145.00	98.40	109.30	6.90	6.60	STD	4.7	5.4	0.5	0.5
W1D1860	144.50	156.10	103.80	115.40	9.70	6.60	STD	5.8	6.5	0.6	0.6
W1D2160	154.80	167.00	109.20	121.40	12.60	6.60	STD	6.9	7.6	0.7	0.7
W1D2460	165.20	178.00	114.60	127.40	15.40	6.60	STD	7.9	8.7	0.8	0.9

W1D - Wall 1 Drawer



D	DF	DB	EXT	EXP	FL	MI	STR	FT	FTRA
2	1	1	✓	STD	✓	✓			

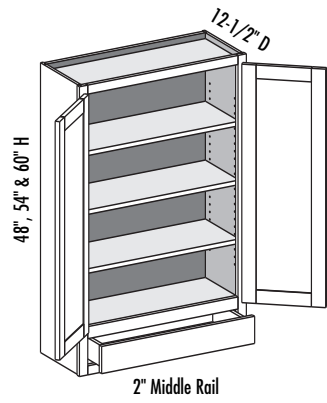
- 60" high has four shelves

Cabinet Code	Craftsman		Pioneer			Flush End (ea.)	Exposed End (ea.)	Doors		Drawer Fronts	
	3-sided	4-sided	3-sided	4-sided	Shelf*			1/2"	1/4"	1/2"	1/4"
W1D2748	\$160.70	\$174.20	\$114.90	\$128.40	\$13.70	\$5.30	STD	6.8	7.5	0.9	1.0
W1D3048	169.30	183.40	119.50	133.60	15.80	5.30	STD	7.6	8.4	1.0	1.1
W1D3348	178.10	192.80	124.30	139.00	17.90	5.30	STD	8.5	9.2	1.1	1.2
W1D3648	186.80	202.20	128.90	144.30	20.00	5.30	STD	9.3	10.1	1.2	1.3
W1D2754	164.70	178.20	116.70	130.20	13.70	6.00	STD	7.8	8.6	0.9	1.0
W1D3054	173.70	187.80	121.60	135.70	15.80	6.00	STD	8.8	9.6	1.0	1.1
W1D3354	182.70	197.40	126.60	141.30	17.90	6.00	STD	9.7	10.6	1.1	1.2
W1D3654	191.80	207.20	131.50	146.90	20.00	6.00	STD	10.7	11.5	1.2	1.3
W1D2760	180.50	194.00	125.10	138.60	18.30	6.60	STD	8.8	9.7	0.9	1.0
W1D3060	190.90	205.00	130.50	144.60	21.00	6.60	STD	9.9	10.8	1.0	1.1
W1D3360	201.10	215.80	135.90	150.60	23.80	6.60	STD	11.0	11.9	1.1	1.2
W1D3660	211.60	227.00	141.40	156.80	26.70	6.60	STD	12.1	13.0	1.2	1.3

Options Key: D=Number of Doors DF=Number of Drawer Fronts DB=Drawer Box EXT=Extended Stiles EXP=Exposed End FL=Flush End
 MI=Matching Interior STR=Shaped Top Rail FT=Flush Toe FTRA=Flush Toe with Roman Arch Shape
 *Wood shelf upgrade



W1D - Wall 1 Drawer w/Butt Doors

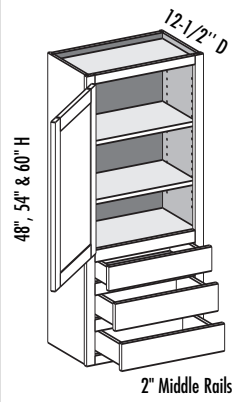


D	DF	DB	EXT	EXP	FL	MI	STR	FT	FTRA
2	1	1	✓	STD	✓	✓	✓		

• 60" high has four shelves

Cabinet Code	Craftsman		Pioneer			Flush End (ea.)	Exposed End (ea.)	Doors		Drawer Fronts	
	3-sided	4-sided	3-sided	4-sided	Shelf*			1/2"	1 1/4"	1/2"	1 1/4"
W1D2448BD	\$147.80	\$160.60	\$106.00	\$118.80	\$11.60	\$5.30	STD	6.1	6.7	0.8	0.9
W1D2748BD	156.60	170.10	110.80	124.30	13.70	5.30	STD	6.9	7.6	0.9	1.0
W1D3048BD	165.20	179.30	115.40	129.50	15.80	5.30	STD	7.7	8.5	1.0	1.1
W1D3348BD	174.00	188.70	120.20	134.90	17.90	5.30	STD	8.6	9.3	1.1	1.2
W1D3648BD	182.70	198.10	124.80	140.20	20.00	5.30	STD	9.4	10.2	1.2	1.3
W1D2454BD	151.10	163.90	107.20	120.00	11.60	6.00	STD	7.0	7.7	0.8	0.9
W1D2754BD	160.10	173.60	112.10	125.60	13.70	6.00	STD	7.9	8.7	0.9	1.0
W1D3054BD	169.20	183.30	117.10	131.20	15.80	6.00	STD	8.9	9.7	1.0	1.1
W1D3354BD	178.10	192.80	122.00	136.70	17.90	6.00	STD	9.9	10.7	1.1	1.2
W1D3654BD	187.30	202.70	127.00	142.40	20.00	6.00	STD	10.8	11.7	1.2	1.3
W1D2460BD	165.20	178.00	114.60	127.40	15.40	6.60	STD	7.9	8.7	0.8	0.9
W1D2760BD	175.50	189.00	120.10	133.60	18.30	6.60	STD	9.0	9.8	0.9	1.0
W1D3060BD	185.90	200.00	125.50	139.60	21.00	6.60	STD	10.1	10.9	1.0	1.1
W1D3360BD	196.20	210.90	131.00	145.70	23.80	6.60	STD	11.1	12.0	1.1	1.2
W1D3660BD	206.60	222.00	136.40	151.80	26.70	6.60	STD	12.2	13.1	1.2	1.3

W3D - Wall 3 Drawer



D	DF	DB	EXT	EXP	FL	MI	STR	FT	FTRA
1	3	3	✓	STD	✓	✓	✓		

• 60" high has three shelves

Cabinet Code	Craftsman		Pioneer			Flush End (ea.)	Exposed End (ea.)	Doors		Drawer Fronts	
	3-sided	4-sided	3-sided	4-sided	Shelf*			1/2"	1 1/4"	1/2"	1 1/4"
W3D1548	\$144.30	\$175.50	\$117.00	\$148.50	\$3.40	\$5.30	STD	2.5	3.0	1.4	1.7
W3D1848	152.40	185.70	122.20	155.50	4.90	5.30	STD	3.1	3.6	1.7	1.9
W3D2148	160.80	195.70	127.40	162.30	6.20	5.30	STD	3.7	4.2	2.0	2.3
W3D2448	169.10	205.70	132.60	169.20	7.70	5.30	STD	4.3	4.8	2.3	2.6

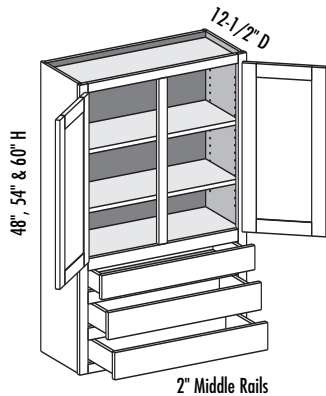
Options Key: D=Number of Doors DF=Number of Drawer Fronts DB=Drawer Box EXT=Extended Stiles EXP=Exposed End FL=Flush End MI=Matching Interior STR=Shaped Top Rail FT=Flush Toe FTRA=Flush Toe with Roman Arch Shape
 *Wood shelf upgrade



W3D - Wall 3 Drawer - continued

Cabinet Code	Craftsman		Pioneer			Flush End (ea.)	Exposed End (ea.)	Doors		Drawer Fronts	
	3-sided	4-sided	3-sided	4-sided	Shelf*			1/2"	1 1/4"	1/2"	1 1/4"
W3D1554	146.40	177.90	117.40	148.90	3.40	6.00	STD	3.1	3.6	1.4	1.6
W3D1854	155.00	188.30	122.70	156.00	4.90	6.00	STD	3.8	4.3	1.7	2.0
W3D2154	163.80	198.70	128.40	163.30	6.20	6.00	STD	4.5	5.1	2.0	2.3
W3D2454	172.50	209.10	133.80	170.40	7.70	6.00	STD	5.2	5.8	2.3	2.7
W3D1560	156.50	188.00	123.40	154.90	5.10	6.60	STD	3.6	4.2	1.4	1.6
W3D1860	166.40	199.70	129.30	162.60	7.30	6.60	STD	4.4	5.0	1.7	2.0
W3D2160	176.60	211.50	135.30	170.20	9.50	6.60	STD	5.3	5.9	2.0	2.3
W3D2460	186.50	223.10	141.20	177.80	11.60	6.60	STD	6.1	6.8	2.3	2.7

W3D - Wall 3 Drawer



D	DF	DB	EXT	EXP	FL	MI	STR	FT	FTRA
2	3	3	✓	STD	✓	✓			

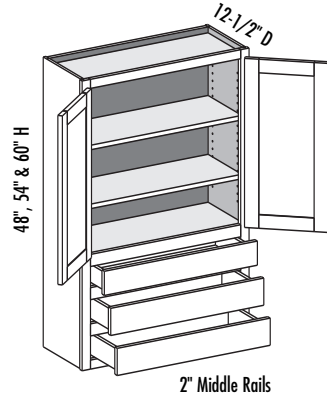
- 60" high has three shelves

Cabinet Code	Craftsman		Pioneer			Flush End (ea.)	Exposed End (ea.)	Doors		Drawer Fronts	
	3-sided	4-sided	3-sided	4-sided	Shelf*			1/2"	1 1/4"	1/2"	1 1/4"
W3D2748	\$183.20	\$221.50	\$143.60	\$181.90	\$9.10	\$5.30	STD	4.8	5.3	2.6	3.0
W3D3048	191.50	231.60	148.70	188.80	10.60	5.30	STD	5.3	5.9	2.9	3.3
W3D3348	200.00	241.80	154.00	195.80	11.90	5.30	STD	5.9	6.6	3.2	3.7
W3D3648	208.20	251.70	159.00	202.50	13.40	5.30	STD	6.5	7.2	3.5	4.0
W3D2754	187.20	225.50	145.40	183.70	9.10	6.00	STD	5.8	6.4	2.6	3.0
W3D3054	195.80	235.90	150.70	190.80	10.60	6.00	STD	6.5	7.1	2.9	3.3
W3D3354	204.50	246.30	156.20	198.00	11.90	6.00	STD	7.2	7.9	3.2	3.7
W3D3654	213.20	256.70	161.70	205.20	13.40	6.00	STD	7.9	8.6	3.5	4.0
W3D2760	203.10	241.40	153.80	192.10	13.70	6.60	STD	6.8	7.5	2.6	3.0
W3D3060	213.00	253.10	159.60	199.70	15.80	6.60	STD	7.6	8.4	2.9	3.3
W3D3360	222.90	264.70	165.60	207.40	17.90	6.60	STD	8.5	9.2	3.2	3.7
W3D3660	233.00	276.50	171.60	215.10	20.00	6.60	STD	9.3	10.1	3.5	4.0

Options Key: D=Number of Doors DF=Number of Drawer Fronts DB=Drawer Box EXT=Extended Stiles EXP=Exposed End FL=Flush End
 MI=Matching Interior STR=Shaped Top Rail FT=Flush Toe FTRA=Flush Toe with Roman Arch Shape
 *Wood shelf upgrade



W3D - Wall 3 Drawer w/Butt Doors

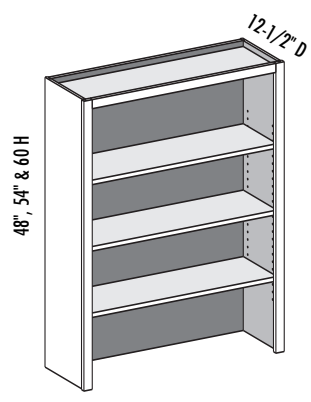


D	DF	DB	EXT	EXP	FL	MI	STR	FT	FTRA
2	3	3	✓	STD	✓	✓	✓		

- 60" high has three shelves

Cabinet Code	Craftsman		Pioneer			Flush End (ea.)	Exposed End (ea.)	Doors		Drawer Fronts	
	3-sided	4-sided	3-sided	4-sided	Shelf*			1/2"	1 1/4"	1/2"	1 1/4"
W3D2448BD	\$169.10	\$205.70	\$132.60	\$169.20	\$7.70	\$5.30	STD	4.3	4.8	2.3	2.6
W3D2748BD	177.50	215.80	137.90	176.20	9.10	5.30	STD	4.8	5.4	2.6	3.0
W3D3048BD	185.80	225.90	143.00	183.10	10.60	5.30	STD	5.4	6.0	2.9	3.3
W3D3348BD	194.30	236.10	148.30	190.10	11.90	5.30	STD	6.0	6.6	3.2	3.7
W3D3648BD	202.50	246.00	153.30	196.80	13.40	5.30	STD	6.6	7.2	3.5	4.0
W3D2454BD	172.50	209.10	133.80	170.40	7.70	6.00	STD	5.2	5.8	2.3	2.7
W3D2754BD	181.10	219.40	139.30	177.60	9.10	6.00	STD	5.9	6.5	2.6	3.0
W3D3054BD	189.70	229.80	144.60	184.70	10.60	6.00	STD	6.6	7.2	2.9	3.3
W3D3354BD	198.40	240.20	150.10	191.90	11.90	6.00	STD	7.3	8.0	3.2	3.7
W3D3654BD	207.10	250.60	155.60	199.10	13.40	6.00	STD	8.0	8.7	3.5	4.0
W3D2460BD	186.50	223.10	141.20	177.80	11.60	6.60	STD	6.1	6.7	2.3	2.7
W3D2760BD	196.50	234.80	147.20	185.50	13.70	6.60	STD	6.9	7.6	2.6	3.0
W3D3060BD	206.50	246.60	153.10	193.20	15.80	6.60	STD	7.7	8.5	2.9	3.3
W3D3360BD	216.40	258.20	159.10	200.90	17.90	6.60	STD	8.6	9.3	3.2	3.7
W3D3660BD	226.40	269.90	165.00	208.50	20.00	6.60	STD	9.4	10.2	3.5	4.0

WOBS - Wall Open Bookshelf



D	DF	DB	EXT	EXP	FL	MI	STR	FT	FTRA
			✓	STD	✓	STD	✓		

- Craftsman line only
- 60" high unit has four shelves

Cabinet Code	Craftsman		Pioneer			Flush End (ea.)	Exposed End (ea.)	Doors		Drawer Fronts	
	3-sided	4-sided	3-sided	4-sided	Shelf*			1/2"	1 1/4"	1/2"	1 1/4"
WOBS1548	\$112.30	\$112.30	—	—	—	\$6.40	STD	—	—	—	—
WOBS1848	119.60	119.60	—	—	—	6.40	STD	—	—	—	—
WOBS2148	127.00	127.00	—	—	—	6.40	STD	—	—	—	—
WOBS2448	134.30	134.30	—	—	—	6.40	STD	—	—	—	—

Options Key: D=Number of Doors DF=Number of Drawer Fronts DB=Drawer Box EXT=Extended Stiles EXP=Exposed End FL=Flush End MI=Matching Interior STR=Shaped Top Rail FT=Flush Toe FTRA=Flush Toe with Roman Arch Shape
*Wood shelf upgrade



WOBS - Wall Open Bookshelf - continued

Cabinet Code	Craftsman		Pioneer			Flush End (ea.)	Exposed End (ea.)	Doors		Drawer Fronts	
	3-sided	4-sided	3-sided	4-sided	Shelf*			1/2"	1/4"	1/2"	1/4"
WOBS2748	141.60	141.60	—	—	—	6.40	STD	—	—	—	—
WOBS3048	149.00	149.00	—	—	—	6.40	STD	—	—	—	—
WOBS3348	156.40	156.40	—	—	—	6.40	STD	—	—	—	—
WOBS3648	163.70	163.70	—	—	—	6.40	STD	—	—	—	—
WOBS1554	114.60	114.60	—	—	—	7.20	STD	—	—	—	—
WOBS1854	122.00	122.00	—	—	—	7.20	STD	—	—	—	—
WOBS2154	129.70	129.70	—	—	—	7.20	STD	—	—	—	—
WOBS2454	137.30	137.30	—	—	—	7.20	STD	—	—	—	—
WOBS2754	144.60	144.60	—	—	—	7.20	STD	—	—	—	—
WOBS3054	152.20	152.20	—	—	—	7.20	STD	—	—	—	—
WOBS3354	159.70	159.70	—	—	—	7.20	STD	—	—	—	—
WOBS3654	167.20	167.20	—	—	—	7.20	STD	—	—	—	—
WOBS1560	128.30	128.30	—	—	—	8.00	STD	—	—	—	—
WOBS1860	137.50	137.50	—	—	—	8.00	STD	—	—	—	—
WOBS2160	146.60	146.60	—	—	—	8.00	STD	—	—	—	—
WOBS2460	155.60	155.60	—	—	—	8.00	STD	—	—	—	—
WOBS2760	164.70	164.70	—	—	—	8.00	STD	—	—	—	—
WOBS3060	173.80	173.80	—	—	—	8.00	STD	—	—	—	—
WOBS3360	182.90	182.90	—	—	—	8.00	STD	—	—	—	—
WOBS3660	192.00	192.00	—	—	—	8.00	STD	—	—	—	—

WMB - Wall Microwave Built-in

30", 36", 42" & 48" H

D	DF	DB	EXT	EXP	FL	MI	STR	FT	FTRA
2			✓	✓	✓	✓			

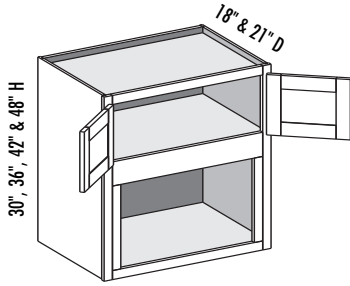
- 42" high has one shelf
- 48" high has two shelves
- Bottom opening height 14" on 30" height; 15-1/2" on all others. Trimmable 2-1/2"
- Bottom opening width 6" less than cabinet width. Trimmable 3"

Cabinet Code	Craftsman		Pioneer			Flush End (ea.)	Exposed End (ea.)	Doors		Drawer Fronts	
	3-sided	4-sided	3-sided	4-sided	Shelf*			1/2"	1/4"	1/2"	1/4"
WMB2730	\$127.40	\$127.40	\$89.20	\$89.20	—	\$5.70	\$2.20	2.0	2.1	—	—
WMB3030	133.10	133.10	92.30	92.30	—	5.70	2.20	2.0	2.3	—	—
WMB2736	134.50	134.50	93.10	93.10	—	6.80	2.70	2.5	2.9	—	—
WMB3036	140.40	140.40	96.30	96.30	—	6.80	2.70	2.8	3.2	—	—
WMB2742	157.20	157.20	102.60	102.60	8.80	7.90	3.10	3.5	4.0	—	—
WMB3042	165.00	165.00	106.30	106.30	10.00	7.90	3.10	3.9	4.4	—	—
WMB2748	184.20	184.20	116.20	116.20	17.70	9.10	3.60	4.5	5.1	—	—
WMB3048	193.90	193.90	120.70	120.70	20.10	9.10	3.60	5.1	5.6	—	—

Options Key: D=Number of Doors DF=Number of Drawer Fronts DB=Drawer Box EXT=Extended Stiles EXP=Exposed End FL=Flush End MI=Matching Interior STR=Shaped Top Rail FT=Flush Toe FTRA=Flush Toe with Roman Arch Shape
 *Wood shelf upgrade



WMB - Wall Microwave Built-in w/Butt Doors

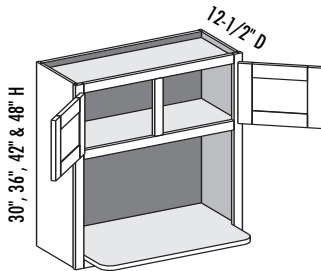


D	DF	DB	EXT	EXP	FL	MI	STR	FT	FTRA
2			✓	✓	✓	✓	✓		

- 42" high has one shelf
- 48" high has two shelves
- Bottom opening width 6" less than cabinet width. Trimmable 3"
- Bottom opening height 14" on 30" height; 15-1/2" on all others. Trimmable 2-1/2"

Cabinet Code	Craftsman		Pioneer			Flush End (ea.)	Exposed End (ea.)	Doors		Drawer Fronts	
	3-sided	4-sided	3-sided	4-sided	Shelf*			1/2"	1 1/4"	1/2"	1 1/4"
WMB2730BD	\$126.60	\$126.60	\$88.40	\$88.40	—	\$5.70	\$2.20	2.0	2.1	—	—
WMB3030BD	132.40	132.40	91.60	91.60	—	5.70	2.20	2.0	2.3	—	—
WMB2736BD	133.40	133.40	92.00	92.00	—	6.80	2.70	2.5	2.9	—	—
WMB3036BD	139.40	139.40	95.30	95.30	—	6.80	2.70	2.8	3.3	—	—
WMB2742BD	155.70	155.70	101.10	101.10	8.80	7.90	3.10	3.5	4.0	—	—
WMB3042BD	163.50	163.50	104.80	104.80	10.00	7.90	3.10	4.0	4.5	—	—
WMB2748BD	182.30	182.30	114.30	114.30	17.70	9.10	3.60	4.6	5.1	—	—
WMB3048BD	192.00	192.00	118.80	118.80	20.10	9.10	3.60	5.1	5.7	—	—

WMWS - Wall Microwave w/Shelf



D	DF	DB	EXT	EXP	FL	MI	STR	FT	FTRA
2			✓	✓	✓	✓			

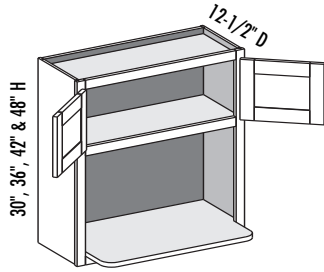
- 18" deep matching specie plywood microwave shelf on all lines
- 42" high has one shelf
- 48" high has two shelves
- Bottom opening height - 15-3/4"
- Edge of lower shelf is banded with matching specie veneer

Cabinet Code	Craftsman		Pioneer			Flush End (ea.)	Exposed End (ea.)	Doors		Drawer Fronts	
	3-sided	4-sided	3-sided	4-sided	Shelf*			1/2"	1 1/4"	1/2"	1 1/4"
WMWS2730	\$103.50	\$103.50	\$78.40	\$78.40	—	\$3.30	\$1.30	2.0	2.1	—	—
WMWS3030	108.90	108.90	82.00	82.00	—	3.30	1.30	2.0	2.3	—	—
WMWS2736	108.70	108.70	81.60	81.60	—	4.00	1.60	2.7	3.2	—	—
WMWS3036	114.20	114.20	85.30	85.30	—	4.00	1.60	3.1	3.5	—	—
WMWS2742	124.90	124.90	90.40	90.40	4.60	4.60	1.80	3.7	4.2	—	—
WMWS3042	131.60	131.60	94.60	94.60	5.20	4.60	1.80	4.2	4.7	—	—
WMWS2748	142.90	142.90	101.20	101.20	9.10	5.30	2.10	4.8	5.3	—	—
WMWS3048	150.70	150.70	105.70	105.70	10.60	5.30	2.10	5.3	5.9	—	—

Options Key: D=Number of Doors DF=Number of Drawer Fronts DB=Drawer Box EXT=Extended Stiles EXP=Exposed End FL=Flush End MI=Matching Interior STR=Shaped Top Rail FT=Flush Toe FTRA=Flush Toe with Roman Arch Shape
*Wood shelf upgrade



WMWS - Wall Microwave w/Shelf w/Butt Doors

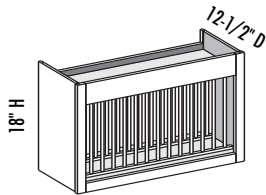


D	DF	DB	EXT	EXP	FL	MI	STR	FT	FTRA
2			✓	✓	✓	✓			

- 18" deep matching specie plywood microwave shelf on all lines
- Bottom opening height - 15-3/4"
- 42" H has one shelf
- Edge of lower shelf is banded with matching specie veneer
- 48" H has two shelves

Cabinet Code	Craftsman		Pioneer			Flush End (ea.)	Exposed End (ea.)	Doors		Drawer Fronts	
	3-sided	4-sided	3-sided	4-sided	Shelf*			1/2"	1 1/4"	1/2"	1 1/4"
WMWS2430BD	\$95.90	\$95.90	\$72.40	\$72.40	—	\$3.30	\$1.30	2.0	2.0	—	—
WMWS2730BD	101.60	101.60	76.50	76.50	—	3.30	1.30	2.0	2.1	—	—
WMWS3030BD	106.90	106.90	80.00	80.00	—	3.30	1.30	2.0	2.3	—	—
WMWS2436BD	100.50	100.50	75.10	75.10	—	4.00	1.60	2.4	2.8	—	—
WMWS2736BD	106.30	106.30	79.20	79.20	—	4.00	1.60	2.8	3.2	—	—
WMWS3036BD	111.80	111.80	82.90	82.90	—	4.00	1.60	3.1	3.6	—	—
WMWS2442BD	115.50	115.50	83.60	83.60	3.90	4.60	1.80	3.3	3.8	—	—
WMWS2742BD	122.10	122.10	87.60	87.60	4.60	4.60	1.80	3.8	4.3	—	—
WMWS3042BD	128.70	128.70	91.70	91.70	5.20	4.60	1.80	4.3	4.8	—	—
WMWS2448BD	131.90	131.90	93.50	93.50	7.70	5.30	2.10	4.3	4.8	—	—
WMWS2748BD	139.70	139.70	98.00	98.00	9.10	5.30	2.10	4.8	5.4	—	—
WMWS3048BD	147.40	147.40	102.40	102.40	10.60	5.30	2.10	5.4	6.0	—	—

WPD - Wall Plate Display



D	DF	DB	EXT	EXP	FL	MI	STR	FT	FTRA
			✓	✓	✓	STD			

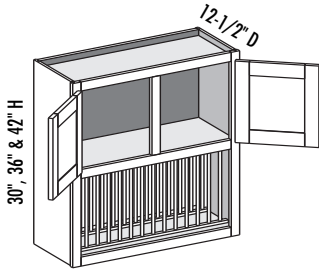
- Craftsman line only
- Cut to size plate racks included
- Dowels 3/8" diameter, spaced 2" on center

Cabinet Code	Craftsman		Pioneer			Flush End (ea.)	Exposed End (ea.)	Doors		Drawer Fronts	
	3-sided	4-sided	3-sided	4-sided	Shelf*			1/2"	1 1/4"	1/2"	1 1/4"
WPD3018	\$134.90	\$134.90	—	—	—	\$2.00	\$1.20	—	—	—	—
WPD3618	153.30	153.30	—	—	—	2.00	1.20	—	—	—	—

Options Key: D=Number of Doors DF=Number of Drawer Fronts DB=Drawer Box EXT=Extended Stiles EXP=Exposed End FL=Flush End
 MI=Matching Interior STR=Shaped Top Rail FT=Flush Toe FTRA=Flush Toe with Roman Arch Shape
 *Wood shelf upgrade



WPD - Wall Plate Display

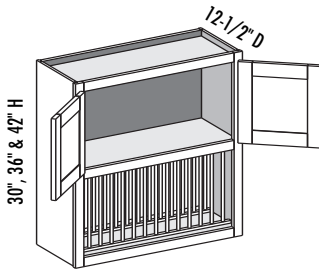


D	DF	DB	EXT	EXP	FL	MI	STR	FT	FTRA
2			✓	✓	✓	STD			

- Craftsman line only
- 36" high has one shelf
- 42" high has two shelves
- Dowels 3/8" diameter, spaced 2" on center
- Cut to size plate racks included

Cabinet Code	Craftsman		Pioneer			Flush End (ea.)	Exposed End (ea.)	Doors		Drawer Fronts	
	3-sided	4-sided	3-sided	4-sided	Shelf*			1/2"	1 1/4"	1/2"	1 1/4"
WPD3030	\$179.60	\$179.60	—	—	—	\$3.30	\$2.10	2.6	3.0	—	—
WPD3630	202.30	202.30	—	—	—	3.30	2.10	3.1	3.6	—	—
WPD3036	185.70	185.70	—	—	—	4.00	2.50	3.7	4.2	—	—
WPD3636	209.60	209.60	—	—	—	4.00	2.50	4.5	5.1	—	—
WPD3042	203.40	203.40	—	—	—	4.60	2.90	4.9	5.4	—	—
WPD3642	230.40	230.40	—	—	—	4.60	2.90	5.9	6.6	—	—

WPD - Wall Plate Display



D	DF	DB	EXT	EXP	FL	MI	STR	FT	FTRA
2			✓	✓	✓	STD	✓		

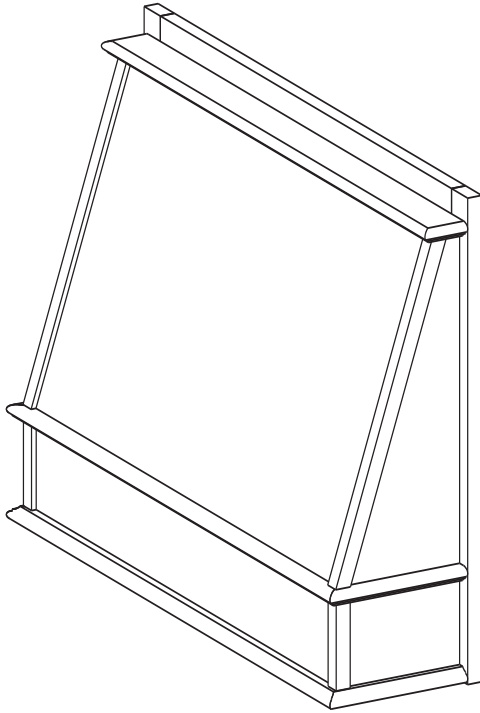
- Craftsman line only
- 36" high has one shelf
- 42" high has two shelves
- Dowels 3/8" diameter, spaced 2" on center
- Cut to size plate racks included

Cabinet Code	Craftsman		Pioneer			Flush End (ea.)	Exposed End (ea.)	Doors		Drawer Fronts	
	3-sided	4-sided	3-sided	4-sided	Shelf*			1/2"	1 1/4"	1/2"	1 1/4"
WPD3030BD	\$178.60	\$178.60	—	—	—	\$3.30	\$2.10	2.6	3.1	—	—
WPD3630BD	201.20	201.20	—	—	—	3.30	2.10	3.2	3.7	—	—
WPD3036BD	184.10	184.10	—	—	—	4.00	2.50	3.8	4.3	—	—
WPD3636BD	208.00	208.00	—	—	—	4.00	2.50	4.6	5.2	—	—
WPD3042BD	201.30	201.30	—	—	—	4.60	2.90	4.9	5.5	—	—
WPD3642BD	228.30	228.30	—	—	—	4.60	2.90	6.0	6.6	—	—

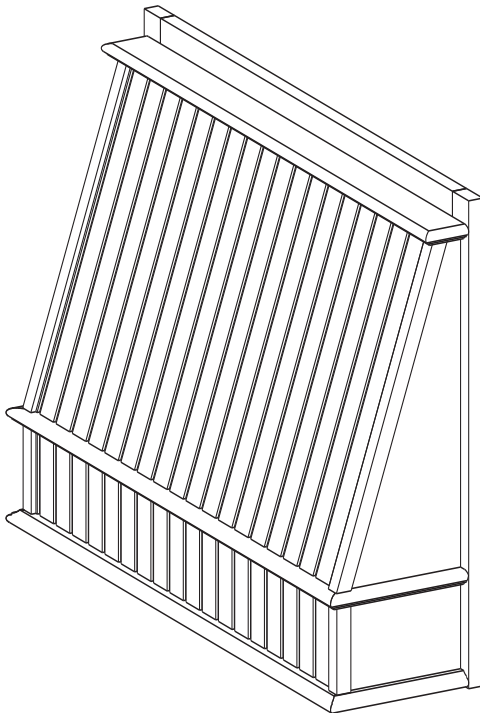
Options Key: D=Number of Doors DF=Number of Drawer Fronts DB=Drawer Box EXT=Extended Stiles EXP=Exposed End FL=Flush End MI=Matching Interior STR=Shaped Top Rail FT=Flush Toe FTRA=Flush Toe with Roman Arch Shape
 *Wood shelf upgrade



Standard and Beaded Range Hoods



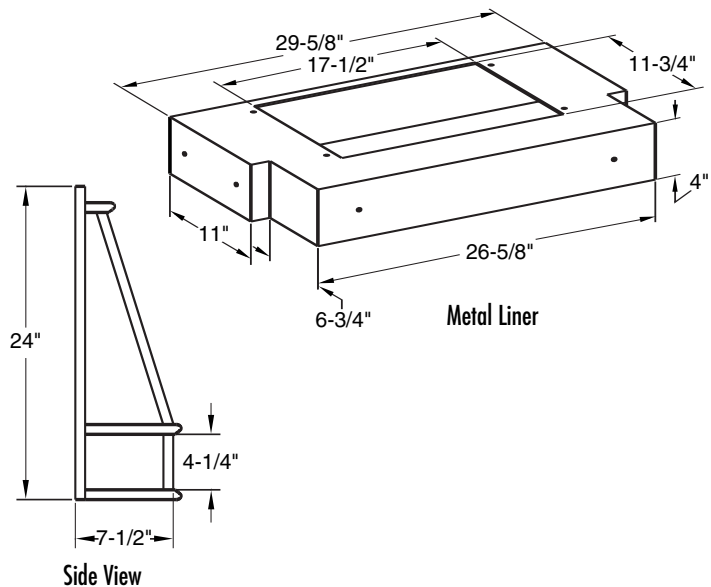
Standard Hood



Beaded Hood

Specie	Unfinished Price	
	30"	36"
Standard Hood		
Cherry	\$350.00	\$375.00
Hard Maple	340.00	360.00
Hickory	350.00	375.00
Red Oak	325.00	345.00
Grooved Hood		
Cherry	\$370.00	\$395.00
Hard Maple	360.00	380.00
Hickory	370.00	395.00
Red Oak	345.00	365.00

- 3/4" thick solid wood sides.
- Lower mantle area measures 4-1/4" between mouldings and will accommodate many wood ornaments, appliques and decorative tile.
- Includes epoxy coated metal liner. Ventilation unit not included.
- Metal liner accommodates Fujioh ventilation systems. For information and to receive special Conestoga program pricing, contact Stanisci Design: (586)752-3368.
- Beaded hood has 5/16" wide beading, spaced 1-1/2" on center.
- Available finished or unfinished. See the Solid Wood Finishing Program section of the Custom Product Manual for pricing and availability.
- Lead-time 4 days unfinished; add 5-6 days for finishing.



Options Key: D=Number of Doors DF=Number of Drawer Fronts DB=Drawer Box EXT=Extended Stiles EXP=Exposed End FL=Flush End
 MI=Matching Interior STR=Shaped Top Rail FT=Flush Toe FTRA=Flush Toe with Roman Arch Shape
 *Wood shelf upgrade



WALL CABINETS

Cabinet Systems