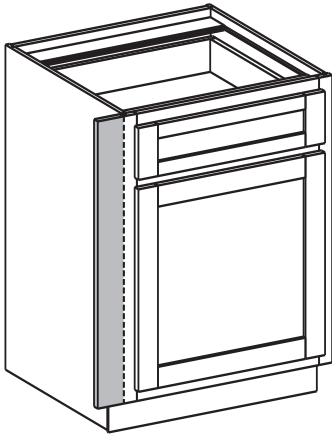




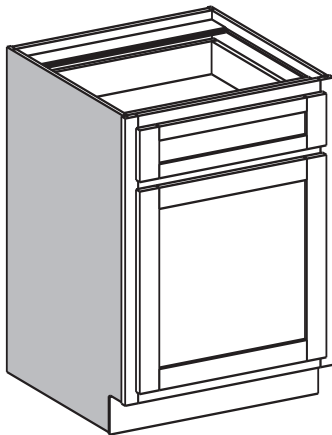
Extended Stiles (EXT)



D	DF	DB	EXT	EXP	FL	MI	STR	FT	FTRA
			✓						

- Adds 3" to the left, right or both stiles as an alternative to loose filler strips
- Specify: "ESL" (Extended Stile Left), "ESR" (Extended Stile Right) or "ESB" (Extended Stile Both)
- Total stile width is 4-1/2"
- 4-1/2" stiles are one piece without glue lines
- Available on most wall, base, tall, vanity and home office units
- Pricing: \$5.00 per stile – cabinets up to 48" high
\$10.00 per stile – cabinets over 48" high

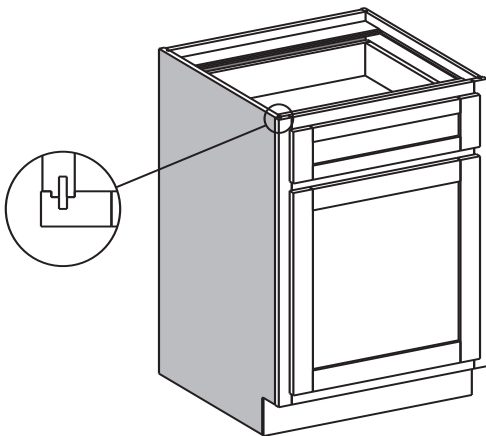
Exposed Ends (EXP)



D	DF	DB	EXT	EXP	FL	MI	STR	FT	FTRA
				✓					

- Matching specie veneer on 1/2" thick cabinet sides
- Available in Craftsman and Pioneer lines
- Specify: "L" (Left), "R" (Right) or "B" (Both)
- 7/32" reveal from edge of front frame to surface of the side
- Soft Maple and Hard Maple cabinets have Hard Maple exposed ends
- Pricing: per cabinet, per side – use exposed end pricing column

Flush Ends (FL)



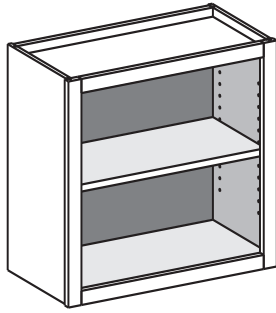
D	DF	DB	EXT	EXP	FL	MI	STR	FT	FTRA
					✓				

- Matching specie veneer on 11/16" thick cabinet sides
- Available in Craftsman line only
- Specify: "L" (Left), "R" (Right) or "B" (Both)
- 1/32" reveal from edge of front frame to surface of the side
- Soft Maple and Hard Maple cabinets have Hard Maple flush ends
- Pricing: per cabinet, per side – use flush end pricing column

Options Key: D=Number of Doors DF=Number of Drawer Fronts DB=Drawer Box EXT=Extended Stiles EXP=Exposed End FL=Flush End
MI=Matching Interior STR=Shaped Top Rail FT=Flush Toe FTRA=Flush Toe with Roman Arch Shape
*Wood shelf upgrade



Matching Interior (MI)

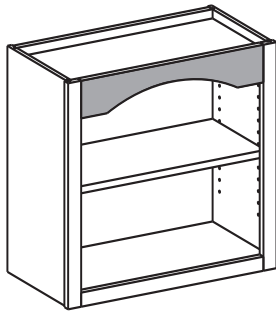


D	DF	DB	EXT	EXP	FL	MI	STR	FT	FTRA
						✓			

- Cabinets will have matching specie interior sides, tops, bottoms, shelves and backs
- Available on Craftsman line only
- Specify: "MI" (Matching Interior)
- Shelves are matching specie 11/16" plywood with veneer taped front edge
- Soft Maple and Hard Maple cabinets have Hard Maple veneered interior components
- Pricing: per cabinet – percentage upcharge per specie

Matching Specie Interior	
Specie	Percent Upcharge
Red Oak	10%
Cherry	25%
Hickory	30%
Maple	25%

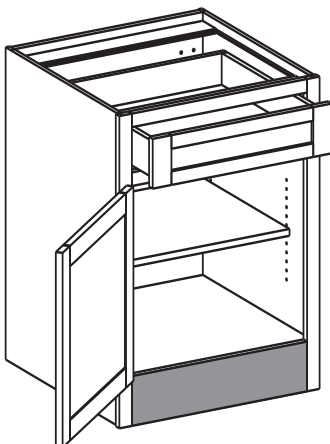
Shaped Top Rail Roman Arch (STRRA)



D	DF	DB	EXT	EXP	FL	MI	STR	FT	FTRA
							✓		

- Roman arch shape is centered on top rail
- Specify: "STRRA" (Shaped Top Rail Roman Arch)
- Rail height is 4"
- Available on most wall, base and tall cabinets
- Minimum cabinet width is 15"
- Pricing: \$19.00 per cabinet

Flush Toe (FT)



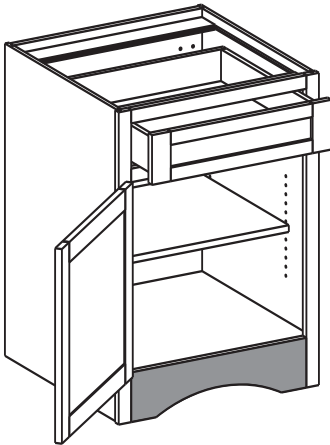
D	DF	DB	EXT	EXP	FL	MI	STR	FT	FTRA
								✓	

- Bottom rail height is 5-1/2"
- Specify: "FT" (Flush Toe)
- Cabinet side is manufactured without standard toe notch
- 96" tall cabinets do not use a toe platform
- Available on most base, tall and vanity cabinets
- Home office base cabinets have a 2-1/2" high flush toe standard
- Pricing: \$12.00 per cabinet

Options Key: D=Number of Doors DF=Number of Drawer Fronts DB=Drawer Box EXT=Extended Stiles EXP=Exposed End FL=Flush End
MI=Matching Interior STR=Shaped Top Rail FT=Flush Toe FTRA=Flush Toe with Roman Arch Shape
*Wood shelf upgrade



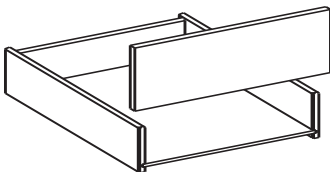
Flush Toe with Roman Arch (FTRA)



D	DF	DB	EXT	EXP	FL	MI	STR	FT	FTRA
									✓

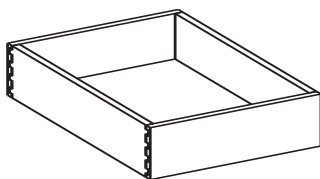
- Roman arch shape is centered on bottom rail. Bottom rail height is 5-1/2"
- Specify: "FTRA" (Flush Toe Roman Arch)
- Cabinet side is manufactured without standard toe notch
- 96" tall cabinets do not use a toe platform
- Available on most base, tall and vanity cabinets
- Minimum cabinet width is 15"
- Pricing: \$20.00 per cabinet

3 – Sided Dovetail Drawer Boxes



- French dovetail construction
- Drawer sides and back are 1/2" thick prefinished wood with bullnose top edge profile
- Drawer sides are grooved to receive 1/4" plycore bottom
- 3-sided drawer boxes are standard with 1/4" or 1/2" overlays. Not available with 1-1/4" or 1-3/8" overlays.
- One piece drawer fronts only
- Bottom lip mount Blum slides are standard with 3-sided drawer boxes on base and vanity depth cabinets
- Full extension ball-bearing side mount slides are standard on wall drawer cabinets
- Pricing – use 3-sided pricing column

4 – Sided Dovetail Drawer Boxes



- English dovetail construction
- Drawer sides and ends are 5/8" thick solid wood with 1/4" Birch ply-core bottoms
- 4-sided drawer boxes are standard when 1-1/4" or 1-3/8" overlays are selected; optional for 1/4" or 1/2" overlays
- Unassembled and unfinished boxes are available in solid wood and can be ordered with bottom lip mount or undermount drawer slides, packaged with Cabinet Systems with the same lead-times
- Assembled and finished four-sided drawer boxes can be ordered with bottom lip mount or undermount drawer slides
- Assembled boxes will be packaged on a skid separate from cabinets, and require additional lead-time. Appropriate upcharges apply
- Notching for undermount slides, 1-5/16" wide through back. Available on assembled drawer boxes only
- Aspen, Hard Maple and Soft Maple drawer boxes are available assembled only; custom pricing and lead-times apply
- Pricing – use 4-sided pricing column for unassembled drawer boxes. Add custom upcharges and drawer slide upgrades as needed per box. See section 11 of the Custom Product Manual for additional drawer box lead-times, options and pricing

Options Key: D=Number of Doors DF=Number of Drawer Fronts DB=Drawer Box EXT=Extended Stiles EXP=Exposed End FL=Flush End
 MI=Matching Interior STR=Shaped Top Rail FT=Flush Toe FTRA=Flush Toe with Roman Arch Shape
 *Wood shelf upgrade



Drawer Slide Options

Bottom Lip Mount Slides – STANDARD

Blum – Standard slide for 3-sided and 4-sided drawer boxes on base and vanity depth cabinets.
STANDARD 230 Not available with wall cabinets, POT's or Home Office cabinets.
 1/2" bottom reveal is standard.

Undermount Slides – Optional Upgrades

Blum SOLO – Optional slide for 4-sided drawer boxes on base and vanity depth cabinets.
 3/4 extension epoxy coated with rear mount screw-in boot.
 Not available with 3-sided drawer boxes, wall cabinets, POT's or Home Office cabinets.
 1/2" bottom reveal and undermount notch required.
 Upgrade price (including slides and hardware): \$5.00 per drawer

Blum TANDEM – Optional slide for 4-sided drawer boxes on base and vanity depth cabinets.
Plus BLUMOTION Full extension zinc coated steel with rear mount screw-in bracket.
 Not available with 3-sided drawer boxes, wall cabinets, POT's or Home Office cabinets.
 1/2" bottom reveal, undermount notch and hook hole are required.
 Blum TANDEM sizing without slides also available.
 Upgrade price (including slides and hardware): \$32.00 per drawer

Installation jigs for SOLO (2100480A) and TANDEM (2100485A) rear brackets available from Conestoga:
 \$25.00 per kit

Side Mount Slides

Ball Bearing Full Extension – Standard slide for wall cabinets, POT's or Home Office cabinets. When placing an order using bottom lip mount or undermount slides, side mount slides will be substituted automatically for the appropriate cabinets.
 Not available with base or vanity cabinets.
 1/2" bottom reveal is standard.

Availability Chart

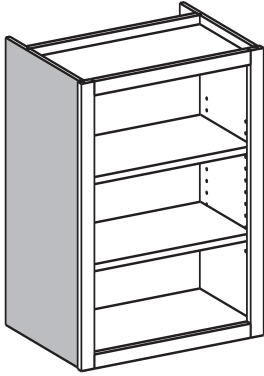
Drawer Box Type	Blum STANDARD 230	Blum SOLO	Blum TANDEM Plus BLUMOTION	Ball Bearing Full Extension
3-Sided	✓			
4-Sided Unassembled	✓	✓	✓	✓
4-Sided Assembled	✓	✓	✓	✓

Ordering

Select Blum STANDARD 230, Blum SOLO or Blum TANDEM Plus BLUMOTION from drawer boxes/drawer slides box on Cabinet Systems order form. Side mount slides will replace selected slides as appropriate for specific cabinets.



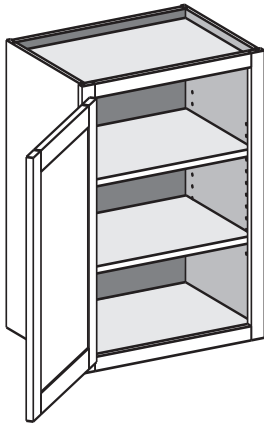
15-1/2" Deep Side



- 15-1/2" deep cabinet sides replace 12-1/2" deep standard sides
- Flush ends are available in the Craftsman line only
- Interior depth of cabinet and shelves do not increase
- Available on most 30", 36" and 42" high standard or corner wall cabinets
- Additional blocking behind side extensions may be required in some installation applications
- Pricing: per cabinet – see chart below

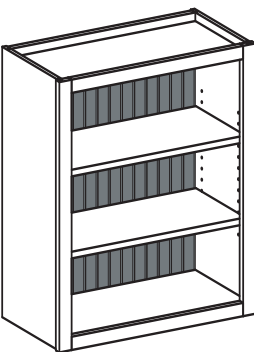
15-1/2" Deep Side Option		
Description	Exposed	Flush
Wall 30" high	\$2.00	\$3.00
Wall 36" high		
Wall 42" high		
WCA 48" high		
WCA 54" high		
WCA 60" high		

15-1/2" Deep Cabinet



- 3" of additional interior space over standard depth wall cabinets
- Flush ends are available in the Craftsman line only
- Available on most standard wall cabinets except: wall deep, WAE, WCC, WCD, WCX, WMB and WPD
- 27" x 27" deep corner cabinets are available; see section 5.0 for availability and pricing
- Pricing: \$50.00 per cabinet

Grooved Back

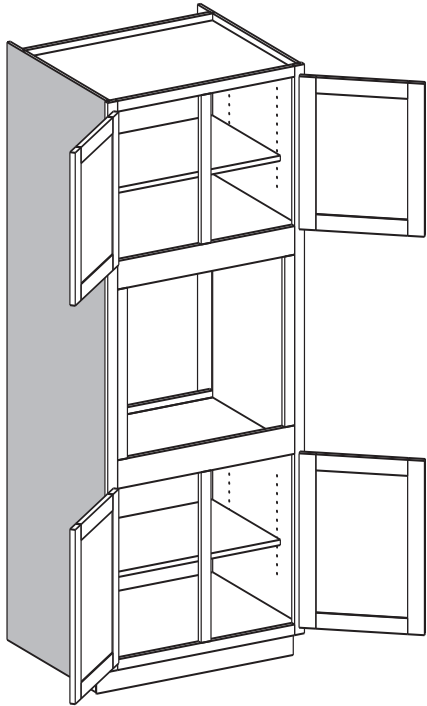


- 1/4" thick grooved back replaces standard back panel
- Groove spacing is 1-1/2" on center
- Available in Craftsman line with matching interior only
- Available on cabinets with 1/4" backs only
- Pricing: \$11.00 per back panel

Options Key: D=Number of Doors DF=Number of Drawer Fronts DB=Drawer Box EXT=Extended Stiles EXP=Exposed End FL=Flush End
 MI=Matching Interior STR=Shaped Top Rail FT=Flush Toe FTRA=Flush Toe with Roman Arch Shape
 *Wood shelf upgrade



27" Deep Tall Appliance Cabinet Side

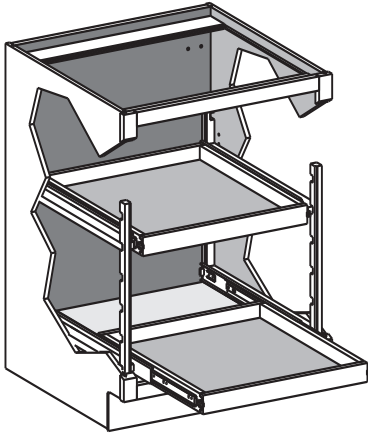


- 27" deep cabinet sides replace 24" deep standard sides
- Flush ends are available in the Craftsman line only
- Interior depth of cabinet and shelves do not increase
- Available on RTB, RTL, RTR, OS, ODA and ODB tall cabinets
- Additional blocking behind side extensions may be required in some installation applications
- Pricing: \$25.00 per cabinet

Options Key: D=Number of Doors DF=Number of Drawer Fronts DB=Drawer Box EXT=Extended Stiles EXP=Exposed End FL=Flush End
 MI=Matching Interior STR=Shaped Top Rail FT=Flush Toe FTRA=Flush Toe with Roman Arch Shape
 *Wood shelf upgrade



Pull-Out Trays (POT)



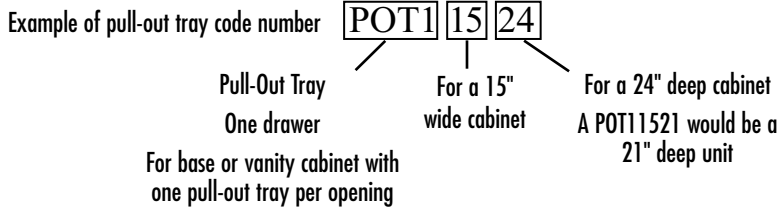
- Specify "POT" (Specific width and configuration information is contained in the Accessories section of the Cabinet Systems Product Manual)
- Provides tool free location change of pull out trays
- Adjustable pull-out system features unfinished Soft Maple components
- 4-sided drawer boxes only, available unassembled/unfinished or assembled/finished
- Boxes are 2-3/16" high and available for 21" or 24" deep base, vanity or tall cabinets
- Ball bearing full extension drawer slides are standard – no options
- Pricing: see Accessories section

Pull-Out Trays - Product Code Descriptions

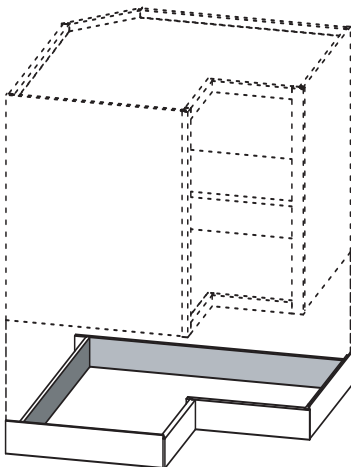
Code	Name	Description
POT1	Pull-Out Tray	For base or vanity cabinet with 1 pull-out tray per opening
POT2	Pull-Out Tray	For base or vanity cabinet with 2 pull-out trays per opening
POTT	Pull-Out Tray Tall	For tall cabinets with 4 pull-out trays
POTS	Pull-Out Tray Single	Individual pull-out tray: drawer cleats, slide, bumpers and one drawer box
BD	Butt Door Indicator	Codes ending in "BD" indicate pull-out trays designed for use with butt door cabinets

On the Cabinet Systems order form, enter the desired pull-out tray code number in the column "Conestoga Cabinet Code #". This pull-out tray must match the width, depth and door configuration of the cabinet it is to be installed in.

Pull-out trays can be ordered with the assembled/finished option. The assembled/finished option is marked on the drawer box section of the order form. The standard upcharges apply.



Loose Toe Platform - 36" Base Corner Cabinets

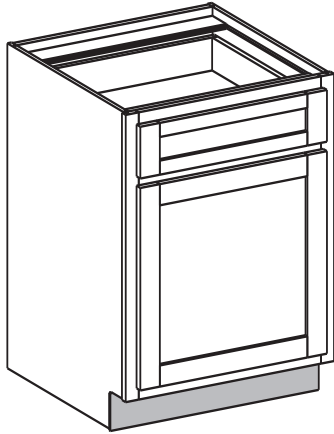


- Optional loose toe platform reduces cabinet height by 4" to allow entry through narrow doorways
- Available on 36" BCFD, BLS and BSC corner cabinets
- Cabinets with loose toe option must be ordered with solid wood toeboards
- \$20.00 per cabinet

Options Key: D=Number of Doors DF=Number of Drawer Fronts DB=Drawer Box EXT=Extended Stiles EXP=Exposed End FL=Flush End
MI=Matching Interior STR=Shaped Top Rail FT=Flush Toe FTRA=Flush Toe with Roman Arch Shape
*Wood shelf upgrade



Toeboards



All cabinets are priced without toeboards

Solid Wood Toeboard

- Select toeboard "Yes" option box on Cabinet Systems order form
- 4" high solid wood
- Pricing: \$3.50 per cabinet

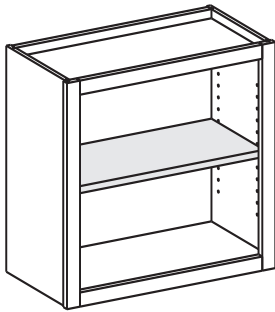
Plywood Toeboard Strips

- 1/2" thick 4" x 96" plywood strips available in Red Oak, Cherry, Hickory or Hard Maple
- Order as a loose part

Plywood Toeboard Strips TE0114 - 4"x96"

Specie	Price
Red Oak	\$10.78
Cherry	13.63
Hickory	13.95
Hard Maple	13.58

Solid Wood Shelf Upgrade



- Replaces Pioneer line 3/4" thick particle board shelving with taped front edge with 1 1/16" thick, prefinished solid wood shelving with a bullnose on front edge
- Pricing: per cabinet – use shelf pricing column



Finishing Program Overview

- Conestoga's finishing capabilities allow our customers to simplify their shop process by eliminating the finishing of Cabinet Systems, doors, mouldings and other products. Outsourcing finishing ultimately reduces VOC emissions and helps streamline throughput by minimizing the finishing bottleneck.
- Conestoga's Cabinet Systems finishing program consists of traditional wiping stains, speckling, glazes and topcoats. This translates into nearly 600 unique combinations.
- Conestoga has two topcoats available: 15° (low sheen) and 40° (medium sheen). Topcoat glosses will not be custom matched.
- In addition to our standard colors, custom color matching is available for wiping stains. Consult the pricing page of the finishing section for information on custom color charges.

Finishing Process

- Prior to finishing, Conestoga's cabinet parts are hand-sanded to deliver a smooth, "finish-ready" product.
- To apply stains and glazes, Conestoga uses a time-proven, hand-wiped technique which delivers more color consistency and depth than simple spray stain applications.
- All cabinet parts are matched to a control sample for color consistency during the staining process.
- After staining, cabinet parts are finished with sealer and topcoat. The sealer is a high solids material that is applied and then sanded with a fine grit sandpaper after drying. The final coat is a high solids conversion varnish. Conversion varnishes provide a superior kitchen cabinet finish with their exceptional clarity, resistance to moisture and overall durability. The final process involves the application of a 15° or 40° sheen topcoat on wiping stains and a 15° sheen topcoat on products finished with a glaze. The 15° sheen topcoat is standard on some wiping stains, but usually must be specified, check with Customer Service for availability. The result is a beautiful finish that is durable, long lasting and resistant to most household chemicals.
- After curing, cabinet parts are inspected before being packaged for delivery to our customers.

Finishing Tolerances

- Conestoga's finishing tolerances are designed for solid wood applications. Application of finish on veneers and decorative accent items may result in color variations. Similarly, stains applied by the customer may vary slightly from those products stained by Conestoga. To ensure a close match, customers should contact their Sales or Customer Service Representative and ask about our Duraguard® Finishing System. See the Duraguard Program Information in this section for additional information. Instructions for application are published in this section and enclosed with every can of stain sold.
- Conestoga can not predict how cabinet parts will accept stain. Therefore, if a part meets our material specification standards in its unfinished state, it will be considered acceptable after finishing as well.



Finishing Warranties

- Conestoga's finishes carry a one year limited warranty against peeling, blistering or cracking, but no warranty against discoloration. Conestoga assumes no responsibility for damages or poor color match when finish is applied by the customer.
- Most wood species will naturally darken with age. Conestoga will not be held liable for the change in appearance of any product, finished or unfinished, due to this aging process.
- Conestoga recommends that a finished sample door be ordered prior to ordering any finished job. We do not suggest ordering large or complex finished product based on small sample swatches.

Wiping Stains

- All Conestoga wiping stains are applied using a hand rubbed application. The process provides superior grain penetration of the finish material and a greater degree of depth in the finished product.
- Conestoga does not recommend darker finishes such as Colonial, Cordovan or Washington Cherry over light species such as Hard Maple or Soft Maple. The contrast, as well as the properties of Maple, creates a blotchy, uneven look. Therefore, these combinations are Not Recommended (NR), but can still be produced with a 20% upcharge and no warranty on color consistency.
- Because Conestoga uses wiping stains, and wiping stains penetrate the wood, end grain will stain and glaze darker than other areas of the piece. This will not be considered defective.

Glazing

- All Conestoga glazes are applied using a hand rubbed application process.
- Glazing is a very subjective treatment. Each part becomes "one-of-a-kind" and unique in its appearance. Even though Conestoga matches every glazed part to a control sample, each part will take glaze differently. Color consistency is more difficult to control on glazed products. Some of the factors influencing color consistency are grain patterns, wood density, stain color, thickness of the sealer coat, sealer sanding and overall size of the piece.
- Glazed products will vary in appearance. Conestoga considers these slight variations acceptable and will not warrant variations of glazes.
- We recommend that our customers develop a document that would be read and signed by the end user indicating their understanding of the potential color issues with stain/glaze combinations. Such a document will help protect all parties in the event of a color-based issue.
- We strongly recommend that a sample door be ordered prior to ordering a full kitchen, regardless of the finish and specie combination.
- Conestoga maintains strict standards for its glazing process. With this in mind, Conestoga will not "custom" glaze a job. Therefore, we offer only our standard glazing options.
- Glazes significantly alter the appearance of a stain/specie combination. An attractive combination may look quite different once glazed. With this in mind, we do not recommend certain glaze combinations, and some combinations are not available. See the Offering and Availability charts in this section for details.
- Conestoga's standard glaze offering is available in combination with some custom finish matches. For availability of glazing over custom stains, contact our Finishing Department (717) 445-3252.



Custom Stain Matching

- A representative sample of the color match to be achieved must be provided. Once a finish is matched, the customer will be sent a hard sample and asked to sign an approval document. A custom color mix number will be assigned, which must be used every time an order is placed for that finish. There is a \$200 net charge for the initial custom match, and a design and material charge for every subsequent use of an existing custom mix. Allow 10 days for completion of color matches. Call Customer Service for a quote on packaged quarts or gallons of custom finishes.
- Our in-house matching capability assures our customers a prompt response of all matching requests. Custom mixes are kept on record as long as the finish continues to be used. If no orders are placed using the stain for one year, the mix will be voided. This process guarantees our customers a truly unique stain since it is matched to their exact specifications. Conestoga will only custom match wiping stains and will do so using a pigmented wiping stain.
- Spray stains, NGR stains, dye stains, Colourtones, and speckling materials will not be custom matched. Base stains with glazes will not be matched, unless one of our standard glazes can be used. These will be evaluated on an individual basis.
- Conestoga offers two topcoat glosses, a 15° and a 40°, with no option to custom match other glosses.

Customer Responsibilities

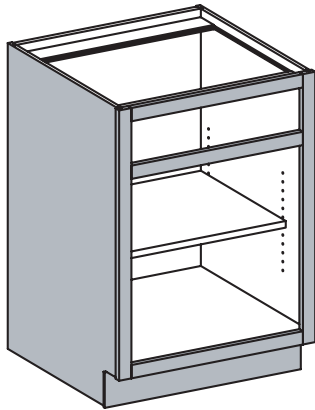
- All sample doors and swatches should be properly labeled with species, stain color, date and sales order number.
- Sample doors and swatches should be stored in such a manner that they are not exposed to light or extreme heat for an extended period of time. Exposure to sunlight, indoor lighting or extreme heat will cause samples to discolor and they will no longer be an accurate representation of color. Sample swatches should be discarded when their expiration date is reached.
- Sample doors and swatches should be replaced every 12 months or when they become discolored. Cherry and Lyptus will need to be replaced more frequently than other species. Conestoga cannot guarantee that a current order will match a sample more than 12 months old. Jobs sold from a sample swatch older than one year will not be warranted for color match.
- We strongly recommend that a full kitchen **not be sold from a color swatch**. Order a sample door to show a greater array of possible character effects on a particular design, stain, glaze and specie combination.
- For displays that are older than one year or that may be discolored, we recommend that customers obtain a current sample door in that species, stain and glaze combination. Remember, display kitchens do change color due to their exposure to natural light, indoor lighting, heat and other conditions. The change that takes place is very gradual and may be difficult to detect, especially if viewed daily.
- If a job is ordered based on the color of a sample door or display, make sure the sample is less than one year old and the color is accurate. Customers asking for replacements because the job does not match their sample will be asked to provide the original sample sales order number, so that the age of the sample may be determined. Conestoga will not provide a no charge replacement if the sample is more than 12 months old or is discolored due to excessive exposure.

Finishing Options

Cabinet Systems offers 3 finishing configurations for our cabinets - Exterior, Interior and Back - to give customers greater design flexibility. See below for listing of which pieces get finished with each configuration.

When filling out the order forms, the finish specified on Cabinet Systems Order Form #5 will be considered the standard and applied to all three options when matching interior is ordered. To order a different finish for the Interior or Back of a cabinet with Matching Interior, note the area with the finish on Cabinet Systems Order Form #6 in the Special Instructions area per cabinet.

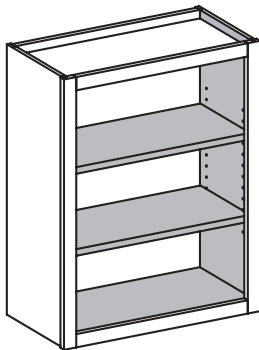
Exterior finishing



Includes:

- Front Frame – face, interior and exterior edges, stain only on exposed edge on back of front frame
- Toeboards – face and exposed edges
- Exposed/flush sides – face only

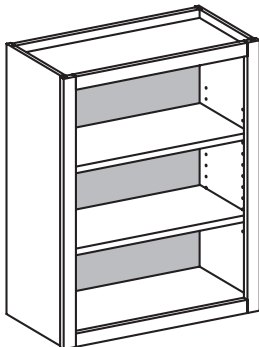
Interior finishing (Only available with matching interiors)



Includes:

- Sides – 1 interior face
- Top and Bottom – 1 interior face
- Fixed Floor – 2 faces
- Shelves – 2 faces, edgebanded edges
- Any other matching interior components

Back finishing (Only available with matching interiors)



Includes:

- Backs – 1 interior face
- Back Slants – 1 interior face



Cabinet Systems Finishing Pricing

Design and Material Charge for Cabinet Systems Finishing		
Finish Category	Design Charge	Material Charge per square foot
Natural Finish	\$5.75	\$2.35
Wiping stain, Low Complexity	7.75	3.40
Wiping stain, High Complexity	8.75	5.00
Finish Options		
Glazes	\$5.75	\$1.75
Speckling	2.00	1.50
Custom Wiping Stain Match (Initial match charge is \$200.00 net)		
Custom Wiping Stain	Low Complexity	\$10.00
	High Complexity	10.00
Finish Complexity/Color Selection		
Natural Finish	Clear sealer and topcoat	
Wiping Stain	Low Complexity	Autumn, Colonial, Ginger, Harvest Gold, Honey, Nutmeg, Washington Cherry
	High Complexity	Alpine, Bordeaux, Chestnut, Cordovan, Espresso, Mesa
Glazes	Brown, Caramel, Coffee, Pewter, Sable, White	
Speckling	Black, Tan	

Cabinet Systems Finishing Pricing		
Product	Design Charge multiplier	Material Charge rules
Front Frames	1 opening 2-3 opening 4-5 opening 6-7 opening 8+ opening	$\frac{\text{perimeter of front frame} \times 4}{144}$ 3 sq. ft. min.
Radius Front Frames	2x	3 sq. ft. min.
Plywood/Solid Wood Parts (sides, toe boards, backs, shelves, top and bottoms)	1x	actual sq. footage \div 2
8 foot lineal mouldings (face only)	1x	2 sq. ft.
8 foot lineal mouldings (face and back)	2x	5 sq. ft.
Assembled mouldings	2x	5 sq. ft.
Wine Racks – standard*	3x	actual sq. footage
Plate rack holders	2x	actual sq. footage
Conestoga entry level range hoods 30", 36"	3x	6 sq. ft.
Valances, fillers, fluted fillers (finished on face and sides only)	1x	actual sq. footage
Plywood panels (1/8", 1/4", 3/4")	1x	actual sq. footage \div 2
Spindles, knee brackets, cleats, all other accent pieces	1x	1 sq. ft.
Table legs	3x	3 sq. ft.

* Lattice wine racks are finished on the face and profiles only, a 25% upcharge will be incurred to finish the back.
Pin holes on the back of lattice wine racks will not be puttied.



Offering and Availability

Wiping Stains									
	Alpine	Autumn	Bordeaux	Chestnut	Colonial	Cordovan	Espresso	Ginger	Harvest Gold
Cherry									
No Glaze	NA	R	R	R	R	R	R	R	R
Brown	NA	R	NA	R	R	R	NA	R	R
Caramel	NA	R	NA	R	R	R	NA	R	R
Pewter	NA	R	NA	R	R	R	NA	R	R
Sable	NA	R	R	R	R	R	R	R	R
White	NA	NR	NA	NA	NA	NA	NA	NR	NR
Hickory									
No Glaze	R	R	R	R	R	R	R	R	R
Brown	NA	R	NA	R	R	R	NA	R	R
Caramel	NA	R	NA	R	R	R	NA	R	R
Pewter	NR	R	NA	R	R	R	NA	R	R
Sable	NA	NR	R	R	R	R	R	NR	NR
White	NR	R	NA	NA	NA	NA	NA	R	R
Maple, Hard									
No Glaze	R	R	NR	NR	NR	NR	NR	R	R
Brown	NA	R	NA	NR	NR	NR	NA	R	R
Caramel	NA	R	NA	NR	NR	NR	NA	R	R
Pewter	NR	R	NA	NR	NR	NR	NA	R	R
Sable	NA	NR	NR	NR	NR	NR	NR	NR	NR
White	R	R	NA	NA	NA	NA	NA	R	R
Maple, Soft									
No Glaze	R	R	NR	NR	NR	NR	NR	R	R
Brown	NA	R	NA	NR	NR	NR	NA	R	R
Caramel	NA	R	NA	NR	NR	NR	NA	R	R
Pewter	NA	R	NA	NR	NR	NR	NA	R	R
Sable	NA	NR	NR	NR	NR	NR	NR	NR	NR
White	R	R	NA	NA	NA	NA	NA	R	R
Oak, Red									
No Glaze	R	R	R	R	R	R	R	R	R
Brown	NA	R	NA	R	R	R	NA	R	R
Caramel	NA	R	NA	R	R	R	NA	R	R
Pewter	NR	R	NA	R	R	R	NA	R	R
Sable	NA	NR	R	R	NR	R	R	NR	R
White	R	R	NA	NA	NA	NA	NA	R	R

Using the Offering and Availability Chart

The offering and availability charts should be referenced prior to placing an order.

- Locate the desired finish in the top row.
- Follow the desired finish row down to the desired specie/glaze combination found along the left column of the chart.
- The box where the finish, specie and glaze combination intersects, will contain one of the following references:



Offering and Availability

Wiping Stains					
	Honey	Mesa	Natural	Nutmeg	Washington Cherry
Cherry					
No Glaze	R	NR	R	R	R
Brown	R	NR	R	R	R
Caramel	R	NR	R	R	R
Pewter	R	NR	NR	NR	R
Sable	R	NA	NA	NA	R
White	NA	NA	NR	NA	NA
Hickory					
No Glaze	R	R	R	R	R
Brown	R	NR	NR	R	R
Caramel	R	NR	NR	R	R
Pewter	R	NR	NR	NR	R
Sable	R	NA	NA	NA	R
White	NA	NR	NR	R	NA
Maple, Hard					
No Glaze	NR	R	R	R	NR
Brown	NR	NR	R	R	NR
Caramel	NR	NR	R	R	NR
Pewter	NR	NR	NR	NR	NR
Sable	NR	NA	NA	NA	NR
White	NA	R	R	R	NA
Maple, Soft					
No Glaze	NR	R	R	R	NR
Brown	NR	NR	R	R	NR
Caramel	NR	NR	R	R	NR
Pewter	NR	NR	NR	NR	NR
Sable	NR	NA	NA	NA	NR
White	NA	R	R	R	NA
Oak, Red					
No Glaze	R	R	R	R	R
Brown	R	NR	R	R	R
Caramel	R	NR	R	R	R
Pewter	R	NR	NR	NR	R
Sable	R	NA	NA	NA	R
White	NA	R	R	R	NA

- R** = Recommended: These finish combinations refer only to the consistency of the finish application and not the aesthetic beauty of the combination.
- NR** = Not Recommended: These finish combinations are problematic and do not meet Conestoga's standards for color consistency. They also highlight various other characteristics such as machine marks and open end grain that will not be considered defective. NR combinations will receive a 20% upcharge to the design charge compensating for additional labor required for difficult combinations. Even if a sample door is purchased, we cannot guarantee that the next order will be an exact match to the sample door. Conestoga will not guarantee color consistency on NR combinations.
- NA** = Not Available: Such combinations present application challenges which result in finish appearances Conestoga cannot consistently reproduce, and are not available.

Stain/Glaze Sample Kits

Cherry	Maple, Hard	Maple, Soft
Stain/Glaze Autumn Autumn/Brown Bordeaux Bordeaux/Sable Chestnut Chestnut/Sable Colonial Colonial/Sable Cordovan Cordovan/Sable Espresso Ginger Harvest Gold Harvest Gold/Brown Harvest Gold/Sable Honey Honey/Brown Honey/Sable Natural Natural/Brown Nutmeg Washington Cherry	Stain/Glaze Alpine Autumn Autumn/Brown Autumn/White Bordeaux Bordeaux/Sable Chestnut Colonial/Sable Espresso/Sable Ginger Harvest Gold Harvest Gold/Brown Harvest Gold/Caramel Honey Mesa Natural Natural/Caramel Natural/White Nutmeg Nutmeg/Brown Washington Cherry	Stain/Glaze Alpine Autumn Autumn/Brown Autumn/White Chestnut Chestnut/Sable Colonial Cordovan Ginger Ginger/Brown Harvest Gold Harvest Gold/Brown Harvest Gold/Caramel Harvest Gold/White Honey Honey/Brown Natural Natural/Brown Natural/Caramel Nutmeg Nutmeg/Brown
Oak, Red	Pecan, Hickory	
Stain/Glaze Alpine Autumn Autumn/Brown Bordeaux Bordeaux/Sable Chestnut Chestnut/Brown Colonial Cordovan Espresso Ginger Harvest Gold Harvest Gold/Brown Honey Honey/Sable Mesa Natural Natural/Caramel Nutmeg Washington Cherry	Stain/Glaze Alpine Autumn Autumn/Pewter Autumn/White Bordeaux Chestnut Colonial Colonial/Sable Cordovan Espresso Ginger Harvest Gold Harvest Gold/Brown Honey Honey/Sable Natural Natural/Brown Natural/Caramel Natural/White Nutmeg Nutmeg/Brown Washington Cherry	

Pricing per set: Wiping stain kit \$45 net
 Specifications: Swatch size 4-1/4"x 6-1/8"
 Swatch has G-012 groove on face – except for the Heirloom chips which are 3/4" thick profiled swatches.
 Each swatch individually labeled and dated

Sets are packed in a labeled file box, reducing the need to remove individual swatches for identification; this limits the exposure to light that accelerates color change.

Larger Swatch Size

Individual Conestoga Recommended and Not Recommended finishes are available on a 6-1/8"x14" chip for \$10 net.



Duraguard System Overview

- Duraguard is a complete finishing material program designed to make it easy to match Conestoga's pre-finished products, in which all the base stains, Colourtones, glazes, sealers and topcoats work together to create a lasting finish on our customer's components.
- Duraguard provides raw finishing materials, step by step instructions, access to our in-house finishing professionals and support products such as touch up kits.

Duraguard System Features

- Access to all of Conestoga's topcoats, sealers, stains, glazes and other raw materials.
- Step-by-step instructions mailed with every quart and gallon of finishing material detailing how to mix raw materials, sand the wood, apply the finish and spray the topcoat.
- Access to our Finishing Department at (717) 445-3252 every working day, from 7:00 a.m. to 3:30 p.m. (EST). We are dedicated to answering any finishing questions our customers may have.
- Inexpensive touch up kits are available; these kits are used to hide scratches or blemishes incurred in our customers' shop. Our customers will find these kits also make a great gift for their satisfied customers.

Duraguard System Disclaimers

- Conestoga's finishes are industrial in nature, unlike finishes purchased at a retail store. Although they are of higher quality than most stains, Conestoga's finishes are also more combustible, more volatile and require a greater level of expertise to apply.
- Due to the complexities involved with any finishing process, Conestoga will not be liable for any damages or injuries resulting from the use of this product, even if every precaution is taken by the customer. Conestoga's liability is limited to the original purchase price of the finishing material.
- In order to best match any Duraguard stain color, it is important to follow the processes outlined in our instruction documents. These instructions are found in this section of the manual. If the proper steps are not followed, the finished product may not match the finished doors that were purchased from Conestoga. However, please bear in mind that following these procedures will not always guarantee an exact match.
- Due to the many variables involved in any finishing process, Conestoga assumes no responsibility if products stained by the customer using the Duraguard system do not produce an exact match to prefinished products purchased from Conestoga.
- The Duraguard Finishing System is scientifically designed so that each of the materials, from base stain to topcoat, work with one another, thereby providing a beautiful protective finish for our customer's wood products. Finishing products not sold by Conestoga may react unfavorably to the Duraguard finishing materials causing poor topcoat adhesion, discoloration or other problems.

**Duraguard Packaged Finish Pricing**

Product	Quart	Gallon	5 Gallon additional lead-time required
Alpine Wiping Stain	\$21.25	\$62.50	\$190.50
Autumn Wiping Stain	18.75	52.50	160.00
Bordeaux Wiping Stain	24.25	73.00	222.00
Chestnut Wiping Stain	18.75	52.50	160.00
Colonial Wiping Stain	18.75	52.50	160.00
Cordovan Wiping Stain	31.25	102.75	311.25
Espresso Wiping Stain	24.25	73.00	222.00
Ginger Wiping Stain	18.75	52.50	160.00
Harvest Gold Wiping Stain	18.75	52.50	160.00
Honey Wiping Stain	18.75	52.50	160.00
Mesa Wiping Stain	21.25	62.50	190.50
Nutmeg Wiping Stain	18.75	52.50	160.00
Washington Cherry Wiping Stain	18.75	52.50	160.00
Brown Glaze	21.75	66.50	202.50
Caramel Glaze	21.75	66.50	202.50
Coffee Glaze	21.75	66.50	202.50
Pewter Glaze	25.25	81.00	246.00
Sable Glaze	21.75	66.50	202.50
White Glaze	25.25	81.00	246.00
Speckling Material (black or tan)	18.50	54.00	165.00
Sealer (5008 catalyst not included)	-	-	151.50
15° Conversion Varnish Topcoat (5008 catalyst not included)	-	-	185.50
40° Conversion Varnish Topcoat (5008 catalyst not included)	-	-	164.50

Standard lead-time for stain is 3 days for quantities of 5 gallons or less of the same material. Lead-time for order quantities over 5 gallons of any single stain, glaze, catalyst, topcoat or sealer is 8 working days and can only be shipped by common carrier.

Custom stain match materials are mixed on a per-order basis and cannot be expedited.

Touch up kits include a stain marker and fill stick and are available for each of our wiping stains and glazes: \$7.50 net charge per kit.



Duraguard® Finishing Instructions

All Wiping Stains (except Alpine, Bordeaux, Espresso and Mesa)

Use this process to match all Conestoga wiping Stains except Alpine, Bordeaux, Espresso and Mesa stains.

- White wood sand with an oscillating palm sander using 180 grit sandpaper.
- Apply wiping stain over wood. Wipe all surfaces clean with lint free rag.

Allow wiping stain to dry for a minimum of 1 hour.

- Spray sealer to approximately 3-1/2 wet mil thickness.
- When the sealer is completely dry, sand sealer with fine grit (220-280) sandpaper using an oscillating palm sander on all flat surfaces. Hand sand all profiles with 220 grit sandpaper.
- Spray on topcoat to approximately 3 to 4 wet mil thickness.
- Allow topcoat to dry for a minimum of 4 hours before handling.

Alpine, Bordeaux, Espresso and Mesa Finishing Process

Use this process to match Conestoga's Alpine, Bordeaux, Espresso and Mesa stains.

- White wood sand with an oscillating palm sander using 180 grit sandpaper.
- Moisten wood surface with water. Allow wood to completely dry. This will open the grain allowing penetration of stain.
- Apply wiping stain over wood. Wipe all surfaces clean with a lint free rag.
- Allow wiping stain to dry for a minimum of 1 hour.
- Spray sealer to approximately 3-1/2 wet mil thickness.
- When sealer is completely dry, sand sealer with fine grit (220-280) sandpaper using an oscillating palm sander on all flat surfaces. Hand sand all profiles with 220 grit sandpaper.
- Spray on topcoat to approximately 3 to 4 wet mil thickness.
- Allow topcoat to dry for a minimum of 4 hours before handling.

Glaze Over Wiping Stains

Use this process to apply glazes over all Conestoga wiping stains.

- White wood sand with an oscillating palm sander using 180 grit sandpaper.
- Apply wiping stain over wood. Wipe all surfaces clean with lint free rag.
- Allow wiping stain to dry for a minimum of 1 hour.
- Spray sealer to approximately 3-1/2 wet mil thickness.
- When sealer is completely dry, hand sand all surfaces using 320 grit sandpaper. Make sure to sand in same direction as the wood grain.
- Apply the glaze to the entire surface and wipe the excess glaze off with a lint free rag, leaving the desired amount of glaze in profiled areas. When matching existing products, make sure the same amount of glaze is left on the surface of the product being glazed as is on the product to be matched. Allow glaze to dry for a minimum of 6 hours.
- Spray on low sheen topcoat to approximately 3 to 4 wet mil thickness.
- Allow topcoat to dry for a minimum of 4 hours before handling.



Duraguard® Finishing Instructions (continued)

Mixing Topcoats and Sealers

Follow this process when using Duraguard products to match products finished by Conestoga.

- Always use a lined can or plastic container when adding catalyst. Do not catalyze in an unlined metal can.
- Thoroughly agitate topcoat material, making sure there is no residue on the bottom of the can. Topcoat needs to remain under continuous agitation during catalyzation and use.
- Slowly pour the pre-measured container of catalyst into the gallon container of sealer or topcoat. *Agitation must be continuous. Do not over catalyze!*
- Once the catalyst has been added, the chemical interaction of the mixture results in an 8 hour “pot life”. After this 8 hour time frame, the mixture begins to cure rendering it not usable.
- Catalyst ratios are listed below and can also be found on the product container label.
- We strongly recommend against attempting to extend the pot life of sealer or topcoat by adding virgin material, as it will disrupt the catalyst ratio.
- Spray topcoat to a thickness of 3 to 4 wet mils.

Topcoat/Sealer	Amount of Catalyst
Sealer	4.0 ounces of catalyst 5008 per gallon
Low sheen topcoat	5.0 ounces of catalyst 5008 per gallon
Standard sheen topcoat	5.0 ounces of catalyst 5008 per gallon



Duraguard® Finishing Instructions (continued)

Legal Disclaimers

- Conestoga's Duraguard finishes are industrial in nature, unlike stains purchased at a retail store. Although Duraguard offers a higher quality finish than most stains, it also is more combustible, more volatile and requires a higher level of expertise to apply. Due to the complexities involved with any finishing process, Conestoga will not be liable for any damages or injury resulting from the use of this product, even when the customer has taken precautions. Conestoga's liability is limited to the original purchase price of the finishing material.
- In order to best match any Duraguard stain color, it is important to follow the processes outlined on the previous pages. If these steps are not followed, your finished product may not match the products purchased from Conestoga. However, please bear in mind that following these procedures will not always guarantee an exact match. Due to the many variables involved in any finishing process, Conestoga assumes no responsibility if products that are finished by the customer using the Duraguard system are not an exact match to the finished products sold by Conestoga.

Important Note: All drying times mentioned in this document are to be used as guidelines only. The actual drying time will vary according to the climate in which the finish is applied.

- The Duraguard finish system is scientifically designed so that each of the materials, from base stain to topcoat, work with one another, thereby providing a beautiful protective finish for your wood products. Finish materials not sold by Conestoga may react unfavorably with Duraguard finishing materials causing poor topcoat adhesion, discoloration or other problems.
- Color variation can occur on separately ordered jobs. Conestoga cannot guarantee color matches on material ordered at different times. Length of time between orders may also be a factor affecting color variation. Environmental factors where existing material is stored or installed may affect finished products to the degree of causing an appearance different to that of a newly finished product. To better ensure consistency of appearance, Conestoga recommends against placing partial orders.

Health and Safety information

- Refer to MSDS for health and safety information. Log on to www.conestogawood.com/MSDS for 24 hour access to MSDS information and VOC reports or call 717-445-3252 to order a MSDS booklet.

Care and Cleaning of Fine Kitchen Cabinetry

- The Duraguard topcoat offers the utmost protection for kitchen cabinet applications. Duraguard topcoats provide superior chemical and common kitchen stain resistance while maintaining color and sheen.
- Duraguard topcoat requires minimal care and cleaning. We recommend periodic cleaning with a mild detergent and water solution to remove dirt, dust and grease that buildup with routine usage. Dampen a soft, non-abrasive cloth and wipe entire exterior surface of cabinetry and dry with a soft cloth. Never use a wet cloth that allows water to run down the cabinetry and always dry cabinetry immediately if water is spilled onto the surface.
- Care should be taken not to use abrasive cleansers, ammonia or any other type of harsh chemical. These cleaning agents may cause discoloration, scratching, marring, and dulling of the finish. We also discourage use of furniture polishes and waxes on finished cabinetry. Furniture polishes alter the original sheen level and may leave a film on the surface that attracts dust and dirt. These polishes may also cause an irregular or blotchy appearance because they are unable to stand up to many common kitchen stains.



FINISHING PROGRAM

Cabinet Systems