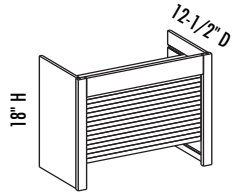




## AG - Appliance Garage

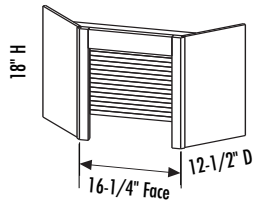


D	DF	DB	EXT	EXP	FL	MI	STR	FT	FTRA
			✓	STD	✓	✓			

- 3-1/8" high top rail
- Sliding tambour door is standard
- Hard Maple and Soft Maple cabinets will have a Hard Maple tambour door

Cabinet Code	Craftsman		Pioneer			Flush End (ea.)	Exposed End (ea.)	Doors		Drawer Fronts	
	3-sided	4-sided	3-sided	4-sided	Shelf*			1/2"	1 1/4"	1/2"	1 1/4"
AG2418	\$80.50	\$80.50	\$72.30	\$72.30	—	\$2.00	STD	2.4	2.7	—	—
AG3018	90.20	90.20	81.50	81.50	—	2.00	STD	3.1	3.4	—	—

## CAG - Corner Appliance Garage

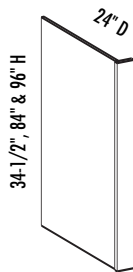


D	DF	DB	EXT	EXP	FL	MI	STR	FT	FTRA
				STD	✓	✓			

- 3-1/8" high top rail
- Sliding tambour door is standard
- Hard Maple and Soft Maple cabinets will have a Hard Maple tambour door

Cabinet Code	Craftsman		Pioneer			Flush End (ea.)	Exposed End (ea.)	Doors		Drawer Fronts	
	3-sided	4-sided	3-sided	4-sided	Shelf*			1/2"	1 1/4"	1/2"	1 1/4"
CAG3318	\$74.70	\$74.70	\$67.20	\$67.20	—	\$1.90	STD	1.6	1.7	—	—

## DWEP/REP - Dishwasher/Refrigerator End Panel



D	DF	DB	EXT	EXP	FL	MI	STR	FT	FTRA
				STD	✓	STD			

- Craftsman line only
- 3" stile
- Matching specie veneer on both sides

Cabinet Code	Price	Flush End (ea.)
DWEP2434.5	\$30.70	\$7.50
REP2484	63.60	18.20
REP2784	68.10	20.60
REP2496	70.70	20.80
REP2796	75.80	23.50

Options Key: D=Number of Doors DF=Number of Drawer Fronts DB=Drawer Box EXT=Extended Stiles EXP=Exposed End FL=Flush End  
 MI=Matching Interior STR=Shaped Top Rail FT=Flush Toe FTRA=Flush Toe with Roman Arch Shape  
 \*Wood shelf upgrade



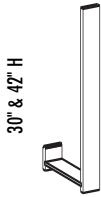
### 1/8" End Skins



- One end and one side of any veneer panel is guaranteed to be free from physical damage
- Available unfinished or finished. See section 6 of the Custom Product Manual
- Stained end skins will vary slightly from stained doors of the same specie
- One side finished only

Specie	11-3/4"x30"	11-3/4"x42"	20-1/4"x31-1/2"	23-1/4"x34-1/2"	24"x84"	24"x92"	24"x96"
Cherry	\$8.20	\$11.40	\$13.30	\$14.75	\$38.00	\$41.50	\$43.35
Hickory	6.70	8.75	11.10	13.65	32.95	36.00	37.75
Maple, White	6.75	8.90	11.25	13.90	33.35	36.50	38.25
Oak, Red	5.70	7.90	8.70	9.30	23.70	25.80	27.00

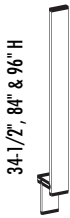
### FS - Filler Strip (Wall)



Cabinet Code	Price
FS0330	\$9.30
FS0630	14.70
FS0342	10.90
FS0642	18.00

- Solid wood front strip

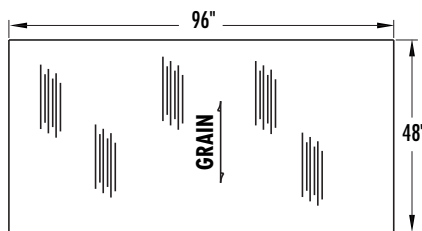
### FS - Filler Strip (Base)



Cabinet Code	Price
FS0334.5	\$9.90
FS0634.5	15.40
FS0384	19.40
FS0684	34.50
FS0396	21.50
FS0696	38.70

- Solid wood front strip

### 1/4" Plywood Short Grain Panel

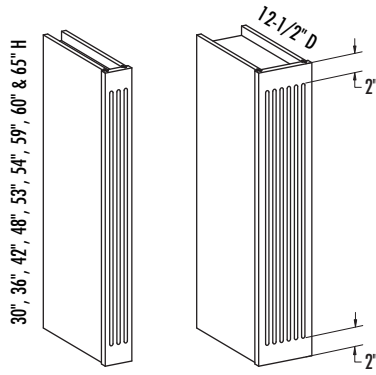


Specie	Price
Cherry	\$158.00
Hickory	150.00
Maple, Hard	148.00
Red Oak	135.00

- 96" x 48" panel for island back or wall panel applications
- Grain runs vertically in the 48" direction
- 1/4" thick material with grade A face veneers applied over MDF core with a sound back
- Available unfinished or finished. See section 6 of the Custom Product Manual



## WFC - Wall Filler Columns



D	DF	DB	EXT	EXP	FL	MI	STR	FT	FTRA
				✓	✓				

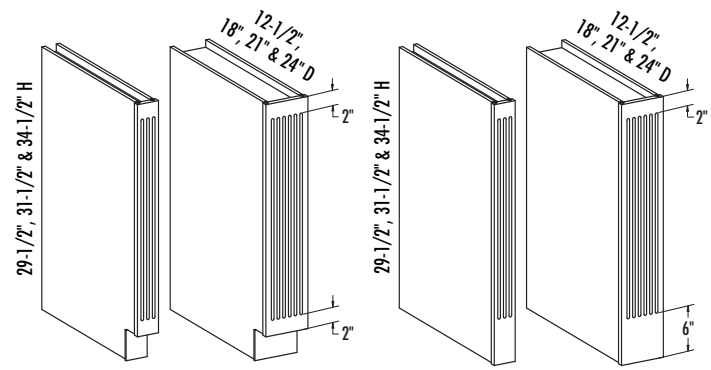
- Specify either tapered, rounded or no flutes
- 3" columns have three flutes; 6" columns have six flutes
- 12-1/2" depth is standard; 15-1/2" optional

Cabinet Code	Craftsman		Pioneer			Flush End (ea.)	Exposed End (ea.)	Doors		Drawer Fronts	
	3-sided	4-sided	3-sided	4-sided	Shelf*			1/2"	1 1/4"	1/2"	1 1/4"
WFC0330	\$63.10	\$63.10	\$50.60	\$50.60	—	\$4.10	\$1.60	—	—	—	—
WFC0630	74.30	74.30	60.80	60.80	—	4.10	1.60	—	—	—	—
WFC0336	67.00	67.00	52.40	52.40	—	5.00	1.90	—	—	—	—
WFC0636	79.30	79.30	63.60	63.60	—	5.00	1.90	—	—	—	—
WFC0342	71.10	71.10	54.30	54.30	—	5.80	2.30	—	—	—	—
WFC0642	84.20	84.20	66.30	66.30	—	5.80	2.30	—	—	—	—
WFC0348	75.20	75.20	56.20	56.20	—	6.60	2.60	—	—	—	—
WFC0648	89.00	89.00	69.00	69.00	—	6.60	2.60	—	—	—	—
WFC0353	78.50	78.50	57.70	57.70	—	7.30	2.90	—	—	—	—
WFC0653	93.10	93.10	71.20	71.20	—	7.30	2.90	—	—	—	—
WFC0354	79.10	79.10	58.00	58.00	—	7.50	2.90	—	—	—	—
WFC0654	93.90	93.90	71.70	71.70	—	7.50	2.90	—	—	—	—
WFC0359	82.50	82.50	59.50	59.50	—	8.20	3.20	—	—	—	—
WFC0659	98.10	98.10	74.00	74.00	—	8.20	3.20	—	—	—	—
WFC0360	83.20	83.20	59.90	59.90	—	8.30	3.20	—	—	—	—
WFC0660	98.80	98.80	74.40	74.40	—	8.30	3.20	—	—	—	—
WFC0365	86.60	86.60	61.50	61.50	—	9.00	3.50	—	—	—	—
WFC0665	102.90	102.90	76.80	76.80	—	9.00	3.50	—	—	—	—

Options Key: D=Number of Doors DF=Number of Drawer Fronts DB=Drawer Box EXT=Extended Stiles EXP=Exposed End FL=Flush End  
 MI=Matching Interior STR=Shaped Top Rail FT=Flush Toe FTRA=Flush Toe with Roman Arch Shape  
 \*Wood shelf upgrade



### BFC - Base Filler Columns

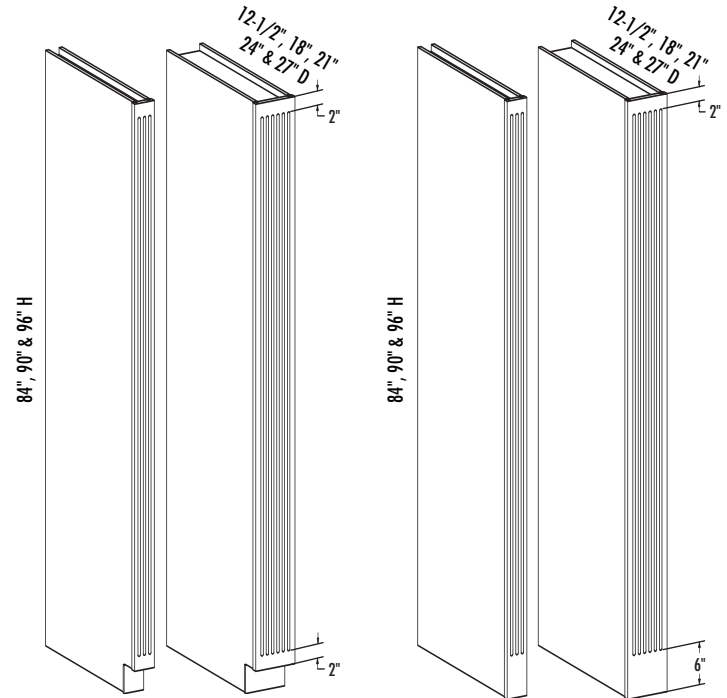


D	DF	DB	EXT	EXP	FL	MI	STR	FT	FTRA
				✓	✓			✓	

- Specify either tapered, rounded or no flutes
- 3" columns have three flutes; 6" columns have six flutes
- Base cabinets with flush toe option have a 6" lower margin
- Flush toe standard on 29-1/2" H – 2" lower margin
- 29-1/2" H available in 21" D & 24" D  
31-1/2" H available in 18" D & 21" D  
34-1/2" H available in 12-1/2" D, 18" D, 21" D & 24" D

Cabinet Code	Craftsman		Pioneer			Flush End (ea.)	Exposed End (ea.)	Doors		Drawer Fronts	
	3-sided	4-sided	3-sided	4-sided	Shelf*			1/2"	1 1/4"	1/2"	1 1/4"
BFC0329.5	\$72.90	\$72.90	\$54.10	\$54.10	—	\$6.40	\$4.00	—	—	—	—
BFC0629.5	85.10	85.10	64.60	64.60	—	6.40	4.00	—	—	—	—
BFC0331.5	70.80	70.80	53.30	53.30	—	6.00	3.70	—	—	—	—
BFC0631.5	82.40	82.40	63.40	63.40	—	6.00	3.70	—	—	—	—
BFC0334.5	77.30	77.30	55.60	55.60	—	7.50	4.70	—	—	—	—
BFC0634.5	89.70	89.70	66.30	66.30	—	7.50	4.70	—	—	—	—

### TFC - Tall Filler Columns



D	DF	DB	EXT	EXP	FL	MI	STR	FT	FTRA
				✓	✓			✓	

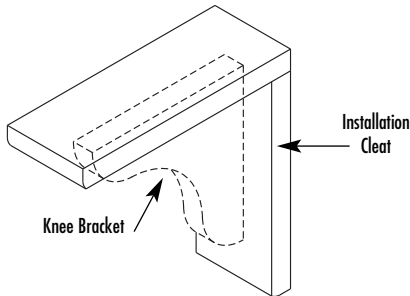
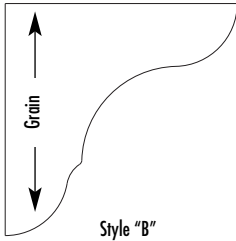
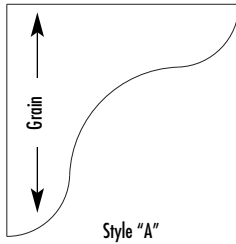
- Specify either tapered, rounded or no flutes
- 3" columns have three flutes; 6" columns have six flutes
- Tall cabinets with flush toe option have a 6" lower margin
- 24" depth is standard; specify optional depths on order form

Cabinet Code	Craftsman		Pioneer			Flush End (ea.)	Exposed End (ea.)	Doors		Drawer Fronts	
	3-sided	4-sided	3-sided	4-sided	Shelf*			1/2"	1 1/4"	1/2"	1 1/4"
TFC0384	\$156.00	\$156.00	\$105.40	\$105.40	—	\$18.20	\$7.10	—	—	—	—
TFC0684	177.30	177.30	125.00	125.00	—	18.20	7.10	—	—	—	—
TFC0390	162.10	162.10	108.10	108.10	—	19.50	7.60	—	—	—	—
TFC0690	184.40	184.40	128.70	128.70	—	19.50	7.60	—	—	—	—
TFC0396	172.90	172.90	117.10	117.10	—	20.00	7.80	—	—	—	—
TFC0696	196.70	196.70	139.10	139.10	—	20.00	7.80	—	—	—	—

Options Key: D=Number of Doors DF=Number of Drawer Fronts DB=Drawer Box EXT=Extended Stiles EXP=Exposed End FL=Flush End MI=Matching Interior STR=Shaped Top Rail FT=Flush Toe FTRA=Flush Toe with Roman Arch Shape  
\*Wood shelf upgrade



## Wood Knee Brackets and Installation Cleats



- Available unfinished or finished. See section 6 of the Custom Product Manual
- 3/4" thick standard, 1" thick optional (bracket only)
- Available species include: Cherry, Hard Maple, Red Oak and Soft Maple
- Material Category "B"

Knee Bracket Pricing		
Bracket Size	Style "A" Design Charge	Style "B" Design Charge
6" x 6"	\$15.50	\$17.50
9" x 9"		
12" x 12"		

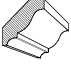


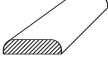
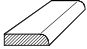

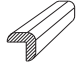
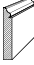


- Installation cleats sold in pairs
- Brackets are 3/4" x 3" wide, sized 1-1/2" longer than the complementary bracket for installation
- Machine edge two long and one short edge; B2 one short (leading edge)
- Available species include: Cherry, Hard Maple, Red Oak and Soft Maple
- Material Category "B"

Installation Cleats		
Cleat Size	Bracket Size	Design Charge
Top: 3" x 8-1/4" Back: 3" x 7-1/2"	6" x 6"	\$14.50
Top: 3" x 11-1/4" Back: 3" x 10-1/2"	9" x 9"	
Top: 3" x 14-1/4" Back: 3" x 13-1/2"	12" x 12"	

Options Key: D=Number of Doors DF=Number of Drawer Fronts DB=Drawer Box EXT=Extended Stiles EXP=Exposed End FL=Flush End  
 MI=Matching Interior STR=Shaped Top Rail FT=Flush Toe FTRA=Flush Toe with Roman Arch Shape  
 \*Wood shelf upgrade





**Moulding Pricing and Availability (All pricing per 8 foot piece)**

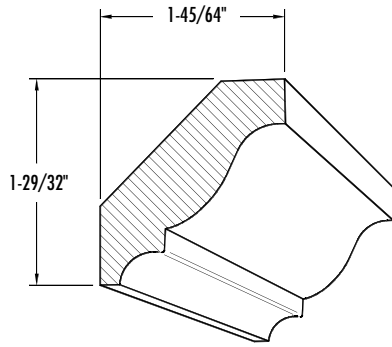
Design and Profile	Size	Cherry	Hickory	Maple, Hard	Maple, Soft	Oak, Red
<b>R</b> Crown 6 	2-9/16"	\$37.90	\$19.05	\$30.00	\$21.80	\$18.95
<b>R</b> Crown with heel 801 	3-9/16"	76.10	43.80	65.50	48.05	41.65
<b>R</b> Light Rail B11 	1-1/2"	30.35	17.55	26.10	19.40	16.65
<b>R</b> Batten 13 	1-1/4"	20.60	11.20	18.10	12.80	11.10
<b>R</b> Scribe 14 	1-1/4"	20.60	11.20	18.10	12.80	11.10
<b>R</b> Cove 11 	3/4"	15.75	9.30	13.45	11.45	10.10
Outside Corner 12 	3/4"	15.75	9.30	13.45	11.45	10.10
<b>R</b> Colonial Base 10 	4-1/2"	61.90	31.35	50.55	33.80	31.75
Beaded Panel B09  	3-1/4"	43.05	23.25	37.45	26.85	23.75

1. Size is nominal. Actual length is between 94" and 97"
2. Maximum stock order per specific profile and specie is 25 pieces  
Additional pieces take 10-15 days
3. When ordering dual-side profile products, specify "Face side A" or "Face side B"

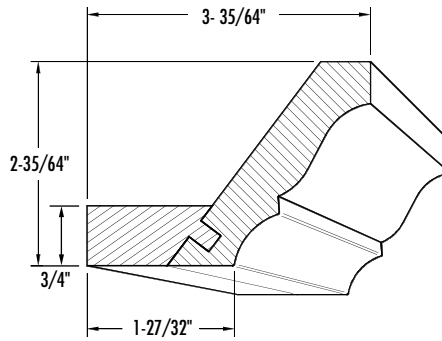
**Key**

-  Stock item  
4 day lead-time.
-  Custom item  
7 to 10 day lead-time.
- R** See Radius Products Section of Custom Product Manual for additional information.

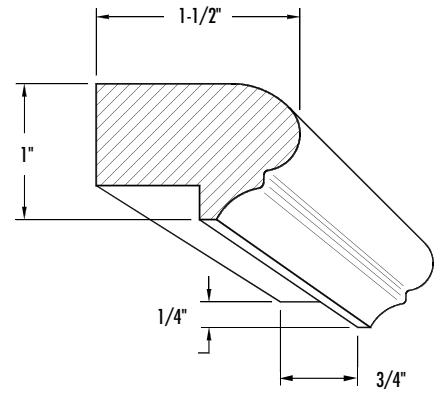
- See section 7 of the Custom Product Manual for additional moulding selections and pricing



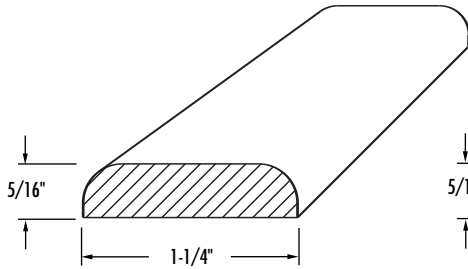
**Crown 6**



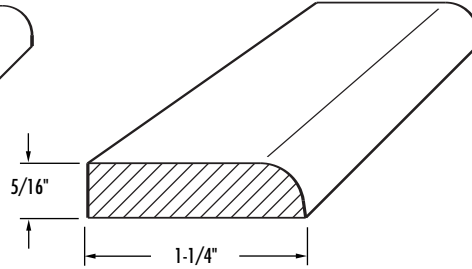
**Crown  
with heel 801**



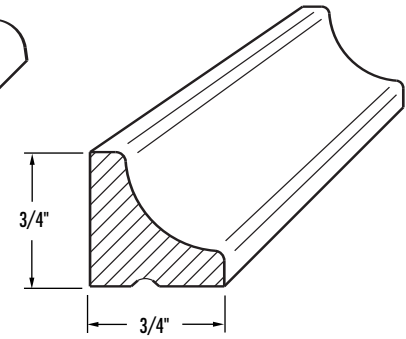
**Light Rail B11**



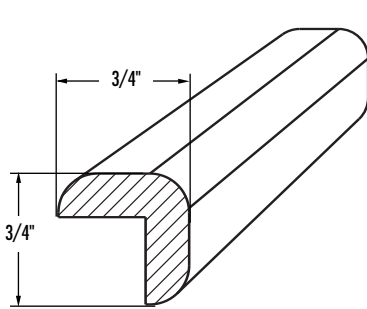
**Batten 13**



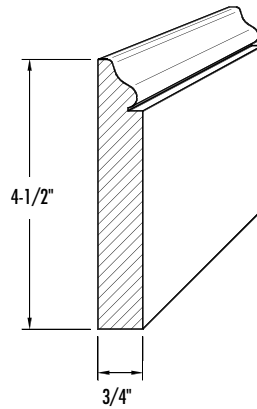
**Scribe 14**



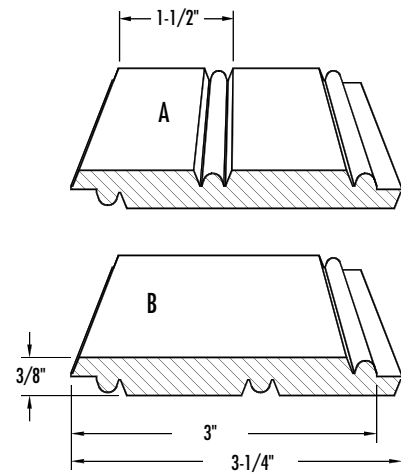
**Cove 11**



**Outside Corner 12**



**Colonial Base #10**



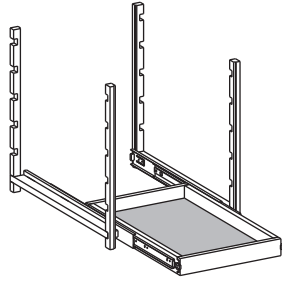
When ordering prefinished product,  
specify "Finish side A" or "Finish side B."  
When ordering dual side profile product,  
specify "Face side A" or "Face side B".

**Beaded Panel B09**

- Moulding details are not drawn to scale
- See section 7 of the Custom Product Manual for additional moulding selections and pricing



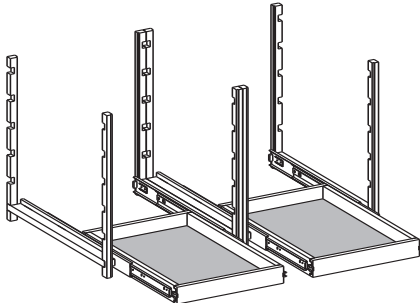
**POT1 - Pull-Out Trays**



- 4-sided solid wood dovetail drawer boxes
- Corner cleats can be trimmed to size when used with a shelf

24" Deep	Price	24" Deep w/Butt Doors	Price	21" Deep	Price	21" Deep w/Butt Doors	Price
POT11524	\$50.49	POT12724BD	\$55.49	POT11521	\$48.65	POT12721BD	\$53.65
POT11824	51.69	POT13024BD	56.69	POT11821	49.95	POT13021BD	54.95
POT12124	52.99	POT13324BD	57.99	POT12121	51.15	—	—
POT12424	54.19	POT13624BD	59.19	POT12421	52.45	POT13621BD	57.45
—	—	POT13924BD	60.49	—	—	—	—
—	—	POT14224BD	61.79	—	—	—	—

**POT1 - Pull-Out Trays**



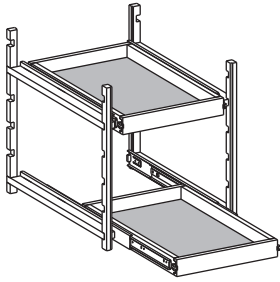
- 4-sided solid wood dovetail drawer boxes
- Corner cleats can be trimmed to size when used with a shelf

24" Deep	Price	24" Deep w/Butt Doors	Price	21" Deep	Price	21" Deep w/Butt Doors	Price
POT13024	\$84.09	—	—	POT13021	\$80.40	—	—
POT13324	85.29	—	—	—	—	—	—
POT13624	86.49	—	—	POT13621	83.00	—	—
POT13924	87.89	—	—	—	—	—	—
POT14224	89.09	—	—	—	—	—	—
POT14524	90.29	—	—	—	—	—	—
POT14824	91.49	—	—	—	—	—	—





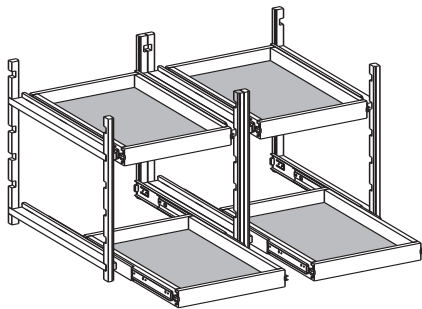
## POT2 - Pull-Out Trays



- 4-sided solid wood dovetail drawer boxes
- Corner cleats can be trimmed to size when used with a shelf

24" Deep	Price	24" Deep w/Butt Doors	Price	21" Deep	Price	21" Deep w/Butt Doors	Price
POT21524	\$83.49	POT22724BD	\$93.49	POT21521	\$79.80	POT22721BD	\$89.80
POT21824	85.89	POT23024BD	95.89	POT21821	82.40	POT23021BD	92.40
POT22124	88.49	POT23324BD	98.49	POT22121	84.80	—	—
POT22424	90.89	POT23624BD	100.89	POT22421	87.40	POT23621BD	97.40
—	—	POT23924BD	103.49	—	—	—	—
—	—	POT24224BD	106.09	—	—	—	—

## POT2 - Pull-Out Trays



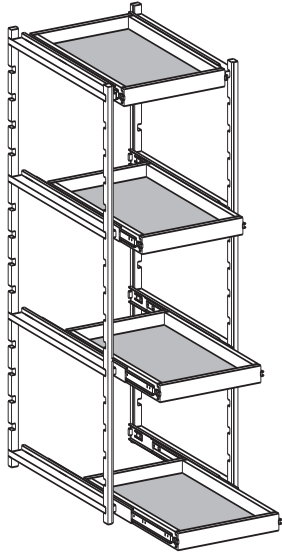
- 4-sided solid wood dovetail drawer boxes
- Corner cleats can be trimmed to size when used with a shelf

24" Deep	Price	24" Deep w/Butt Doors	Price	21" Deep	Price	21" Deep w/Butt Doors	Price
POT23024	\$150.68	—	—	POT23021	\$141.79	—	—
POT23324	153.08	—	—	—	—	—	—
POT23624	155.48	—	—	POT23621	146.99	—	—
POT23924	158.28	—	—	—	—	—	—
POT24224	160.68	—	—	—	—	—	—
POT24524	163.08	—	—	—	—	—	—
POT24824	165.48	—	—	—	—	—	—

Options Key: D=Number of Doors DF=Number of Drawer Fronts DB=Drawer Box EXT=Extended Stiles EXP=Exposed End FL=Flush End  
 MI=Matching Interior STR=Shaped Top Rail FT=Flush Toe FTRA=Flush Toe with Roman Arch Shape  
 \*Wood shelf upgrade



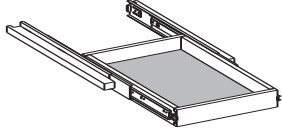
**POTT - Pull-Out Trays Tall**



- 4-sided solid wood dovetail drawer boxes
- Corner cleats can be trimmed to size when used with a shelf

24" Deep	Price	24" Deep w/Butt Doors	Price	21" Deep	Price	21" Deep w/Butt Doors	Price
POTT1524	\$179.21	POTT2724BD	\$199.21	—	—	—	—
POTT1824	184.01	POTT3024BD	204.01	POTT1821	177.03	—	—
POTT2124	189.21	POTT3324BD	209.21	POTT2121	181.83	—	—
POTT2424	194.01	POTT3624BD	214.01	POTT2421	187.03	—	—

**POTS - Pull-Out Trays Single Shelf**

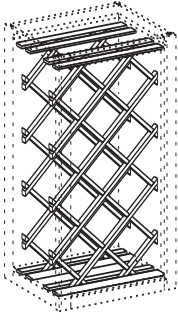


- 4-sided solid wood dovetail drawer boxes
- No corner cleats included

24" Deep	Price	24" Deep w/Butt Doors	Price	21" Deep	Price	21" Deep w/Butt Doors	Price
POTS1524	\$34.50	—	—	POTS1521	\$32.65	—	—
POTS1824	35.70	—	—	POTS1821	33.95	—	—
POTS2124	37.00	—	—	POTS2121	35.15	—	—
POTS2424	38.20	—	—	POTS2421	36.45	—	—
—	—	POTS2724BD	39.50	—	—	POTS2721BD	37.65
POTS3024	34.80	POTS3024BD	40.70	POTS3021	32.95	POTS3021BD	38.95
POTS3324	35.40	POTS3324BD	42.00	—	—	—	—
POTS3624	36.00	POTS3624BD	43.20	POTS3621	34.25	POTS3621BD	41.45
POTS3924	36.70	—	—	—	—	—	—
POTS4224	37.30	—	—	—	—	—	—
POTS4524	37.90	—	—	—	—	—	—
POTS4824	38.50	—	—	—	—	—	—



## WLK - Wall Lattice Kits



- Available in Cherry, Hard Maple and Red Oak only
- Kit includes 2 pieces of lattice and 8 pieces of retainer moulding to secure rack in place
- Order cabinet with matching specie interior
- See chart for size availability

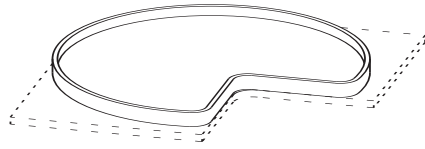
Kit Code	Sized For Cabinet	Number of Openings	Price	Kit Code	Sized For Cabinet	Number of Openings	Price
WLK3015	W3015	11	\$105.30	WLK1536	W1536	14	\$87.30
WLK3615	W3615	14	112.50	WLK1836	W1836	14	91.60
WLK3018	W3018	11	106.00	WLK2136	W2136	22	133.40
WLK3618	W3618	14	113.20	WLK1542	W1542	17	132.40
WLK1530	W1530	11	87.30	WLK1842	W1842	17	136.00
WLK1830	W1830	11	91.60	WLK2142	W2142	27	138.40
WLK2130	W2130	17	132.40	—	—	—	—



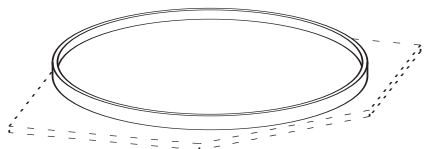
### Lazy Susan Shelves

- Wood susans are designed to be installed onto adjustable shelves or cabinet floors. Susan only. Pricing includes susan and mounting ring bearing only, cabinet shelves not included.
- Susans mount directly on surfaces - no center pole is required.
- Sold individually and packaged with a center mounted ring bearing.
- All susans are prefinished with clear topcoat; unfinished units are not available.

### Standard Wood Lazy Susan Shelves



Kidney

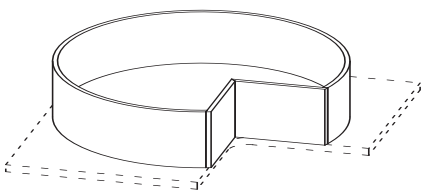


Full Round

- 1/2" thick Maple plywood with a 1-1/2" high laminated edge

Part No.	Sized For Cabinet	Description	Price Each
2100050A	BLS3634.5	32" Kidney-Wood Lazy Susan	\$69.50
2100051A	BCFD3634.5	32" Full Round-Wood Lazy Susan	68.00
2100052A	BLS3334.5	28" Kidney-Wood Lazy Susan	64.00
2100053A	WCA/WCS	18" Full Round-Wood Lazy Susan	49.50

### Deep Wood Lazy Susan Shelf



Kidney

- 1/2" thick Maple plywood with a 1-1/2" high laminated edge
- Note: Shelf diameter, profile and contour do not match standard wood kidney listed above.

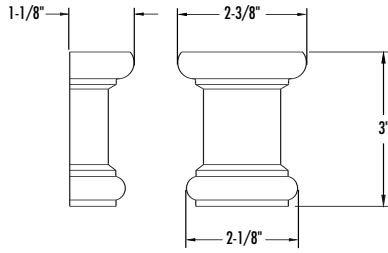
Part No.	Sized For Cabinet	Description	Price Each
2100032A	BLS3634.5	30" Kidney-Wood Lazy Susan	\$129.00
	BLS3334.5		



## Column Applique Elements

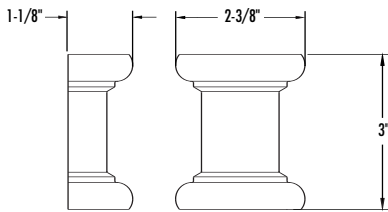
- Apply to extended stiles or loose filler strips

### Split Spindles



Specie	Part No.	Price
Hard Maple	2650094	\$4.00
Cherry	2650095	4.50
Red Oak	2650096	4.00

### Center Block Spindles

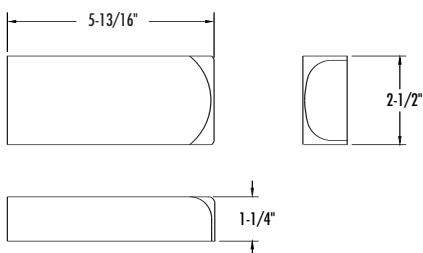


Specie	Part No.	Price
Hard Maple	2650097	\$4.00
Cherry	2650098	4.50
Red Oak	2650099	4.00

### Mouldings

Specie	Part No.	Price	Specie	Part No.	Price	Specie	Part No.	Price
Hard Maple	2650103	\$37.28	Cherry	2650104	\$45.00	Red Oak	2650105	\$30.50
Hard Maple	2650106	\$37.75	Cherry	2650107	\$46.00	Red Oak	2650108	\$30.75
Hard Maple	2650109	\$37.75	Cherry	2650110	\$46.00	Red Oak	2650111	\$30.75
Hard Maple	112R	\$70.35	Cherry	112R	\$73.25	Red Oak	112R	\$68.50

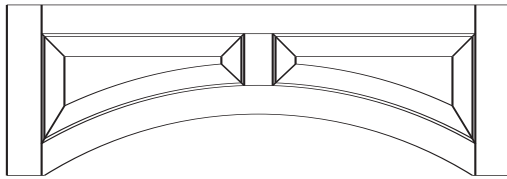
### End Blocks



Specie	Part No.	Price
Hard Maple	2650100	\$9.75
Cherry	2650101	10.75
Red Oak	2650102	9.75



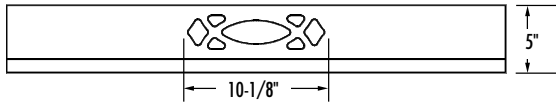
### Arched Raised Valance



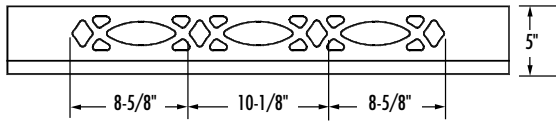
Valances 30" to 48" – Design Charge \$140.00  
 Valances 51" to 72" – Design Charge \$165.00

- Arched Raised Panel Valances are available only in three inch wide increments from 30" to 72"
- Minimum size is 30" wide x 12-1/2" high. Framing width - 2-3/4" stiles, 2-5/16" rails, 2-1/2" upright mid-rail. The distance from the most narrow point to the widest point is always 4-1/2", regardless of valance width
- Use Material Pricing Guide — Category B
- Height can be ordered in 1/16" increments from 12-1/2" to 30"

### English Country Valance



Single Rout  
 Design Charge \$32.70



Multiple Rout  
 Design Charge \$32.70  
 + \$3.50 per additional rout.

Valance pictured has a design charge of  
 \$39.70 = \$32.70 + (2 X \$3.50)

- 5" high
- Use Material Pricing Guide — Category B

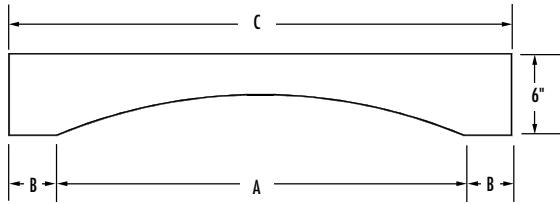
#### English Country Valance Matrix

Number of Routs	Minimum Length	Maximum Length
1	12"	99"
2	20-1/2"	99"
3	29-1/2"	93"
4	38"	84"
5	46-1/2"	75"
6	55-1/2"	66"

Options Key: D=Number of Doors DF=Number of Drawer Fronts DB=Drawer Box EXT=Extended Stiles EXP=Exposed End FL=Flush End  
 MI=Matching Interior STR=Shaped Top Rail FT=Flush Toe FTRA=Flush Toe with Roman Arch Shape  
 \*Wood shelf upgrade



## Roman Arch Valance



- 6" high
- Use Material Pricing Guide — Category B

Roman Arch Valance

Valances 12" to 60" — Design Charge \$15.00

Valances 60-1/8" to 96" — Design Charge \$20.00

### Roman Arch Valance Matrix

Roman Arch Valance Matrix											
A = Pattern length				B = Straight run on left and right ends				C = Overall length			
A	9"	11"	14"	19"	24"	30"	42"	54"	66"	78"	B
C	12"	-	-	-	-	-	-	-	-	-	1-1/2"
C	13"	-	-	-	-	-	-	-	-	-	2"
C	14"	-	-	-	-	-	-	-	-	-	2-1/2"
C	15"	17"	-	-	-	-	-	-	-	-	3"
C	16"	18"	21"	26"	31"	37"	49"	61"	73"	85"	3-1/2"
C	-	19"	22"	27"	32"	38"	50"	62"	74"	86"	4"
C	-	20"	23"	28"	33"	39"	51"	63"	75"	87"	4-1/2"
C	-	-	24"	29"	34"	40"	52"	64"	76"	88"	5"
C	-	-	25"	30"	35"	41"	53"	65"	77"	89"	5-1/2"
C	-	-	-	-	36"	42"	54"	66"	78"	90"	6"
C	-	-	-	-	-	43"	55"	67"	79"	91"	6-1/2"
C	-	-	-	-	-	44"	56"	68"	80"	92"	7"
C	-	-	-	-	-	45"	57"	69"	81"	93"	7-1/2"
C	-	-	-	-	-	46"	58"	70"	82"	94"	8"
C	-	-	-	-	-	47"	59"	71"	83"	95"	8-1/2"
C	-	-	-	-	-	48"	60"	72"	84"	96"	9"

Options Key: D=Number of Doors DF=Number of Drawer Fronts DB=Drawer Box EXT=Extended Stiles EXP=Exposed End FL=Flush End  
 MI=Matching Interior STR=Shaped Top Rail FT=Flush Toe FTRA=Flush Toe with Roman Arch Shape  
 \*Wood shelf upgrade